

(19) World Intellectual Property Organization  
International Bureau



(43) International Publication Date  
22 January 2009 (22.01.2009)

PCT

(10) International Publication Number  
**WO 2009/012500 A3**

(51) International Patent Classification:  
H04R 5/02 (2006.01)

01748 (US). HULTZ, Paul B. [US/US]; 74B Averill Road, Brookline, New Hampshire 03033 (US).

(21) International Application Number:  
PCT/US2008/070678

(74) Agent: FARR, Lloyd G.; Nelson Mullins Riley & Scarborough, LLP, 1320 Main Street, 17th Floor, Columbia, South Carolina 29201 (US).

(22) International Filing Date: 21 July 2008 (21.07.2008)

(81) Designated States (unless otherwise indicated, for every kind of national protection available): AE, AG, AL, AM, AO, AT, AU, AZ, BA, BB, BG, BH, BR, BW, BY, BZ, CA, CH, CN, CO, CR, CU, CZ, DE, DK, DM, DO, DZ, EC, EE, EG, ES, FI, GB, GD, GE, GH, GM, GT, HN, HR, HU, ID, IL, IN, IS, JP, KE, KG, KM, KN, KP, KR, KZ, LA, LC, LK, LR, LS, LT, LU, LY, MA, MD, ME, MG, MK, MN, MW, MX, MY, MZ, NA, NG, NI, NO, NZ, OM, PG, PH, PL, PT, RO, RS, RU, SC, SD, SE, SG, SK, SL, SM, ST, SV, SY, TJ, TM, TN, TR, TT, TZ, UA, UG, US, UZ, VC, VN, ZA, ZM, ZW.

(25) Filing Language: English

(26) Publication Language: English

(30) Priority Data:  
11/780,464 19 July 2007 (19.07.2007) US

(71) Applicant (for all designated States except US): BOSE CORPORATION [US/US]; The Mountain, Framingham, Massachusetts 01701-9168 (US).

(72) Inventors; and

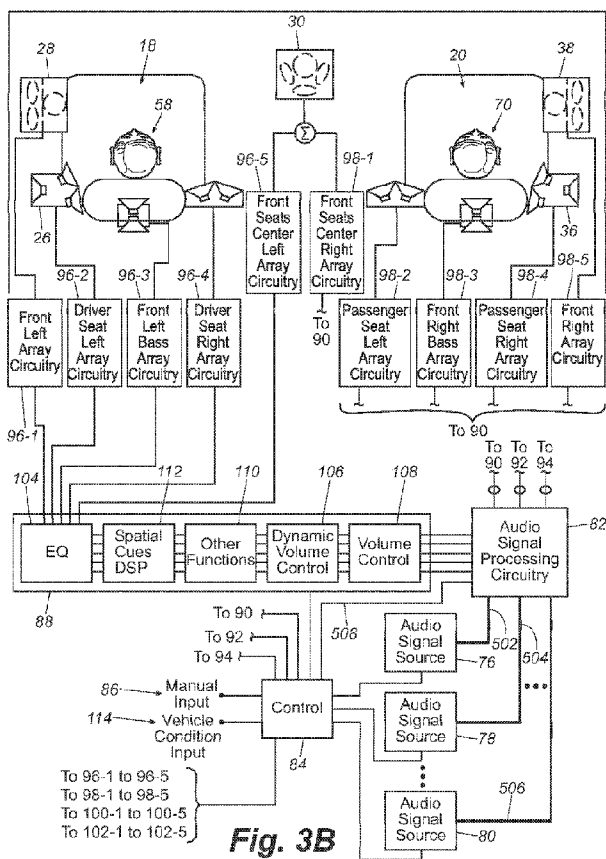
(84) Designated States (unless otherwise indicated, for every kind of regional protection available): ARIPO (BW, GH, GM, KE, LS, MW, MZ, NA, SD, SL, SZ, TZ, UG, ZM,

(75) Inventors/Applicants (for US only): HARTUNG, Klaus [DE/US]; 75 Downey Street, Hopkinton, Massachusetts

[Continued on next page]

(54) Title: SYSTEM AND METHOD FOR DIRECTIONALLY RADIATING SOUND

(57) Abstract: An audio system for a vehicle having a plurality of seat positions includes a plurality of sources of audio signals. Respective directional loud-speaker arrays are mounted at the seat positions. Any of the sources are selectable to any of the seat positions through control circuitry in response to an input from an occupant of the vehicle. Processing circuitry is coupled to the control circuitry and is between the plurality of sources in each respective directional loud-speaker array.



WO 2009/012500 A3



ZW), Eurasian (AM, AZ, BY, KG, KZ, MD, RU, TJ, TM), European (AT, BE, BG, CH, CY, CZ, DE, DK, EE, ES, FI, FR, GB, GR, HR, HU, IE, IS, IT, LT, LU, LV, MC, MT, NL, NO, PL, PT, RO, SE, SI, SK, TR), OAPI (BF, BJ, CF, CG, CI, CM, GA, GN, GQ, GW, ML, MR, NE, SN, TD, TG).

— *before the expiration of the time limit for amending the claims and to be republished in the event of receipt of amendments*

**Published:**

— *with international search report*

**(88) Date of publication of the international search report:**

5 March 2009

**INTERNATIONAL SEARCH REPORT**

International application No  
PCT/US2008/070678

**A. CLASSIFICATION OF SUBJECT MATTER**  
INV. H04R5/02

According to International Patent Classification (IPC) or to both national classification and IPC

**B. FIELDS SEARCHED**

Minimum documentation searched (classification system followed by classification symbols)  
H04R H04S

Documentation searched other than minimum documentation to the extent that such documents are included in the fields searched

Electronic data base consulted during the international search (name of data base and, where practical, search terms used)  
EPO-Internal

**C. DOCUMENTS CONSIDERED TO BE RELEVANT**

Category*	Citation of document, with indication, where appropriate, of the relevant passages	Relevant to claim No.
X	US 2003/103636 A1 (ARAI DAISUKE [JP] ET AL) 5 June 2003 (2003-06-05) the whole document	1-19
X	US 2004/105550 A1 (AYLWARD J RICHARD [US] ET AL) 3 June 2004 (2004-06-03) paragraphs [0003] - [0071]	1-19
A	EP 1 427 253 A (BOSE CORP [US]) 9 June 2004 (2004-06-09) paragraphs [0003] - [0017]	1-19
A	EP 1 788 838 A (BOSE CORP [US]) 23 May 2007 (2007-05-23) paragraphs [0003] - [0028]	1-19

Further documents are listed in the continuation of Box C.

See patent family annex.

\* Special categories of cited documents :

- \*A\* document defining the general state of the art which is not considered to be of particular relevance
- \*E\* earlier document but published on or after the international filing date
- \*L\* document which may throw doubts on priority claim(s) or which is cited to establish the publication date of another citation or other special reason (as specified)
- \*O\* document referring to an oral disclosure, use, exhibition or other means
- \*P\* document published prior to the international filing date but later than the priority date claimed

- \*T\* later document published after the international filing date or priority date and not in conflict with the application but cited to understand the principle or theory underlying the invention
- \*X\* document of particular relevance; the claimed invention cannot be considered novel or cannot be considered to involve an inventive step when the document is taken alone
- \*Y\* document of particular relevance; the claimed invention cannot be considered to involve an inventive step when the document is combined with one or more other such documents, such combination being obvious to a person skilled in the art.
- \* & \* document member of the same patent family

Date of the actual completion of the international search

29 December 2008

Date of mailing of the international search report

12/01/2009

Name and mailing address of the ISA/

European Patent Office, P.B. 5818 Patentlaan 2  
NL - 2280 HV Rijswijk  
Tel. (+31-70) 340-2040,  
Fax: (+31-70) 340-3016

Authorized officer

Timms, Olegs

# INTERNATIONAL SEARCH REPORT

Information on patent family members

International application No PCT/US2008/070678
---

Patent document cited in search report	A1	Publication date	EP	Patent family member(s)	Publication date
US 2003103636	A1	05-06-2003	WO	1397021 A1 02098171 A1	10-03-2004 05-12-2002
US 2004105550	A1	03-06-2004	US	2004105559 A1 2004196982 A1	03-06-2004 07-10-2004
EP 1427253	A	09-06-2004	CN	1509118 A 2004187300 A	30-06-2004 02-07-2004
EP 1788838	A	23-05-2007	CN	101007522 A 2007143164 A 2007116298 A1	01-08-2007 07-06-2007 24-05-2007