



US00D518501S

(12) **United States Design Patent**
Miyashita et al.

(10) **Patent No.:** **US D518,501 S**

(45) **Date of Patent:** **** Apr. 4, 2006**

(54) **CONTAINER FOR PROJECTOR DISPLAY PANEL**

Primary Examiner—Adir Aronovich
(74) *Attorney, Agent, or Firm—Oliff & Berridge, PLC*

(75) Inventors: **Tomoaki Miyashita**, Shimosuwa-machi (JP); **Hiroyuki Kojima**, Suwa (JP); **Hiromi Saitoh**, Chino (JP)

(57) **CLAIM**

The ornamental design for container for projector display panel, as shown and described.

(73) Assignee: **Seiko Epson Corporation**, Tokyo (JP)

DESCRIPTION

(**) Term: **14 Years**

(21) Appl. No.: **29/203,889**

(22) Filed: **Apr. 22, 2004**

(51) **LOC (8) Cl.** **16-02**

(52) **U.S. Cl.** **D16/235**

(58) **Field of Classification Search** D14/374;
D16/221, 225, 232, 235, 236; 353/115, 119,
353/122, DIG. 5

See application file for complete search history.

FIG. 1 is a perspective view of a first embodiment for a container for projector display panel;
FIG. 2 is a front view thereof;
FIG. 3 is a rear view thereof;
FIG. 4 is a top view thereof;
FIG. 5 is a bottom view thereof;
FIG. 6 is a left side view thereof;
FIG. 7 is a right side view thereof;
FIG. 8 is a perspective view of a second embodiment for a container for projector display panel;
FIG. 9 is a front view thereof;
FIG. 10 is a rear view thereof;
FIG. 11 is a top view thereof;
FIG. 12 is a bottom view thereof;
FIG. 13 is a left side view thereof; and
FIG. 14 is a right side view thereof.

The broken line showing is for illustrative purposes only and forms no part of the claimed design.

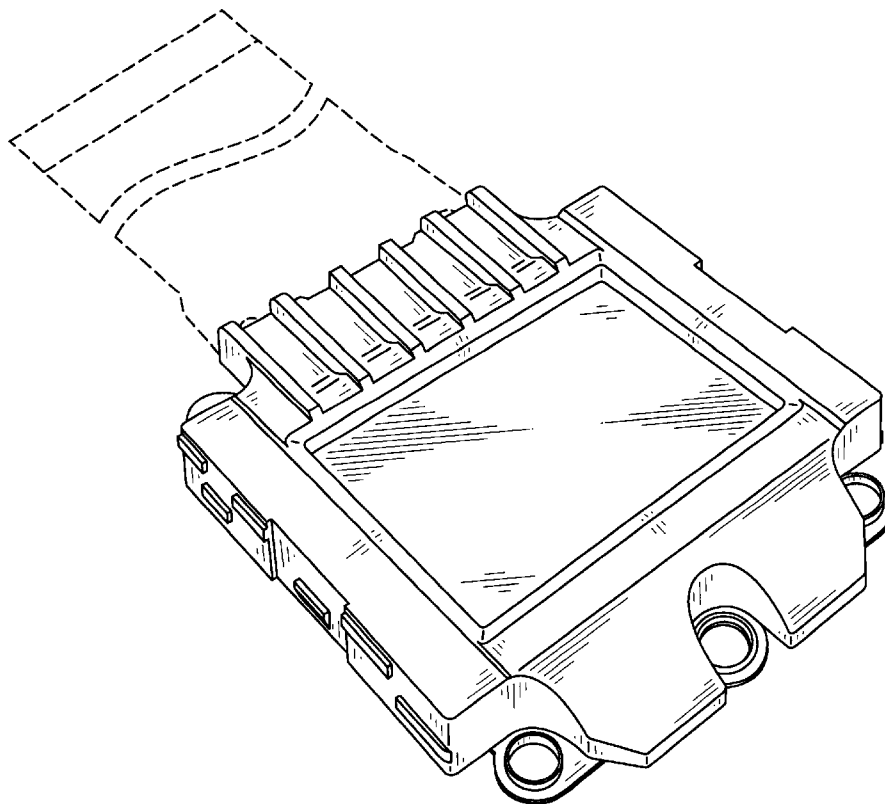
(56) **References Cited**

U.S. PATENT DOCUMENTS

4,728,184	A	*	3/1988	Kyhl	353/119
D321,361	S	*	11/1991	Iino	D16/235
D324,210	S	*	2/1992	Vossoughi et al.	D14/374
5,227,820	A	*	7/1993	Miyashita et al.	353/122
5,337,103	A	*	8/1994	Gulick	353/119
D379,362	S	*	5/1997	Marfori et al.	D16/236
6,731,354	B1	*	5/2004	Menard	353/119

* cited by examiner

1 Claim, 8 Drawing Sheets



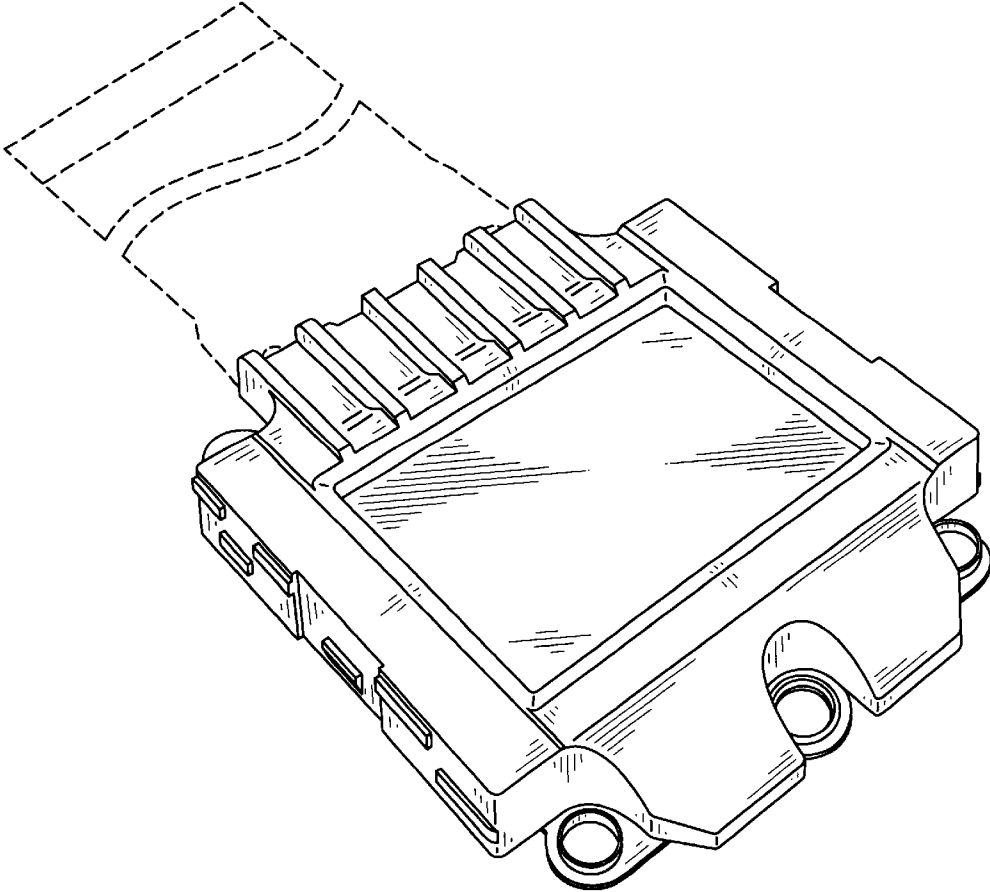


FIG. 1

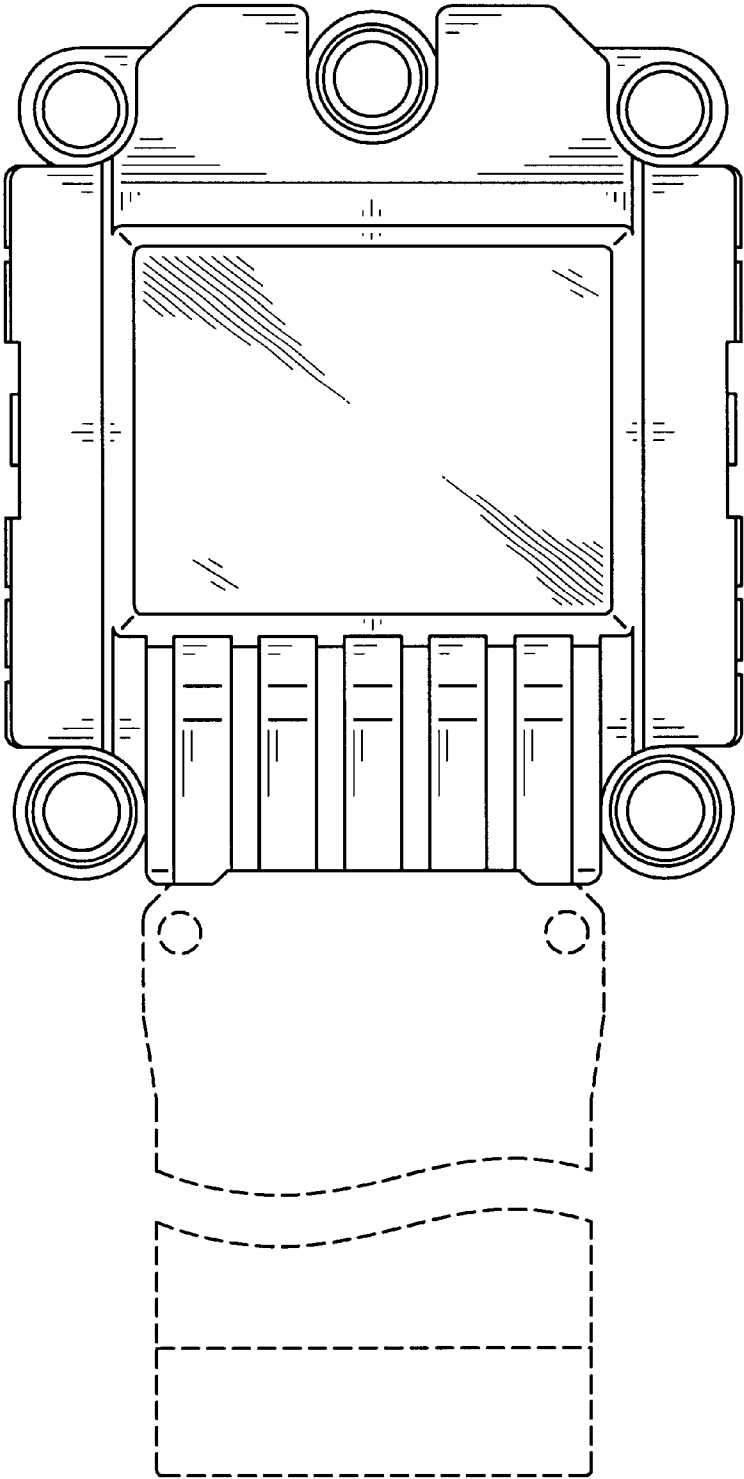


FIG. 2

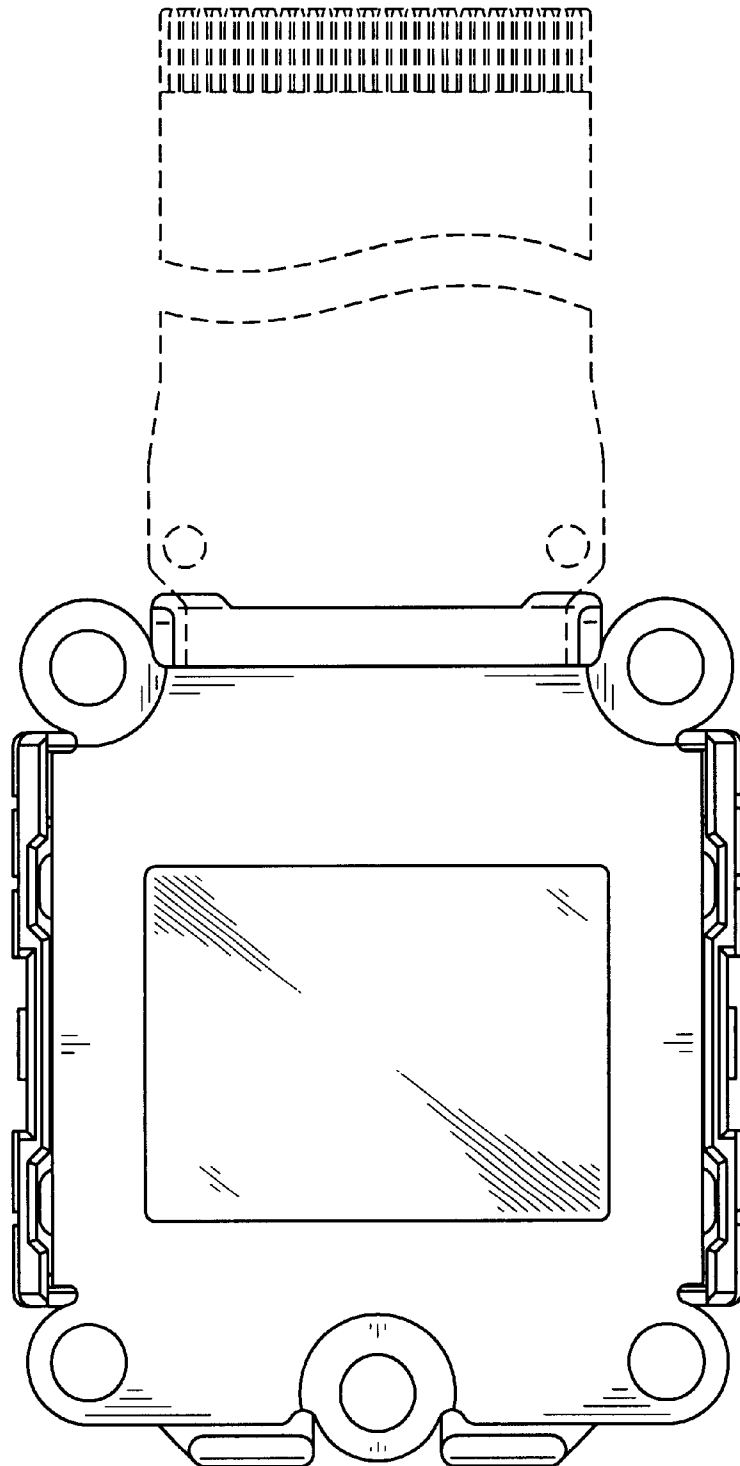


FIG. 3

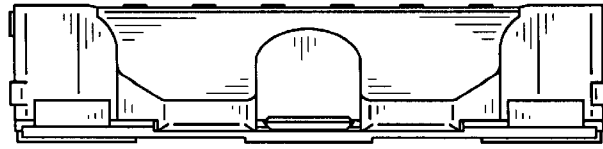


FIG. 4

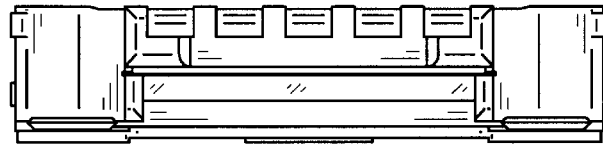


FIG. 5

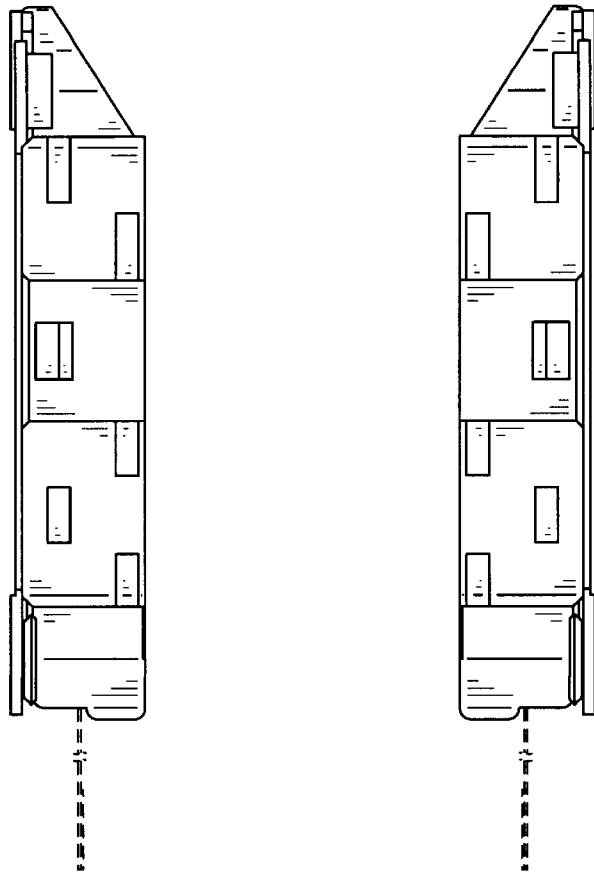


FIG. 6

FIG. 7

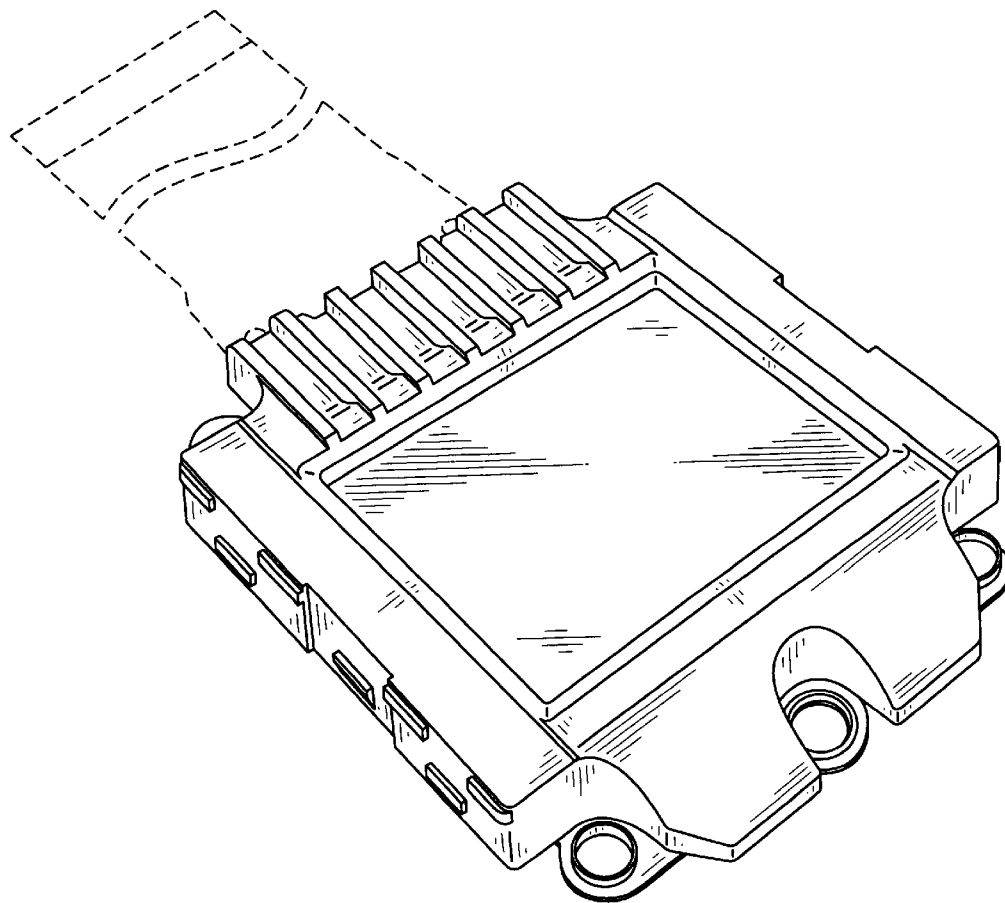


FIG. 8

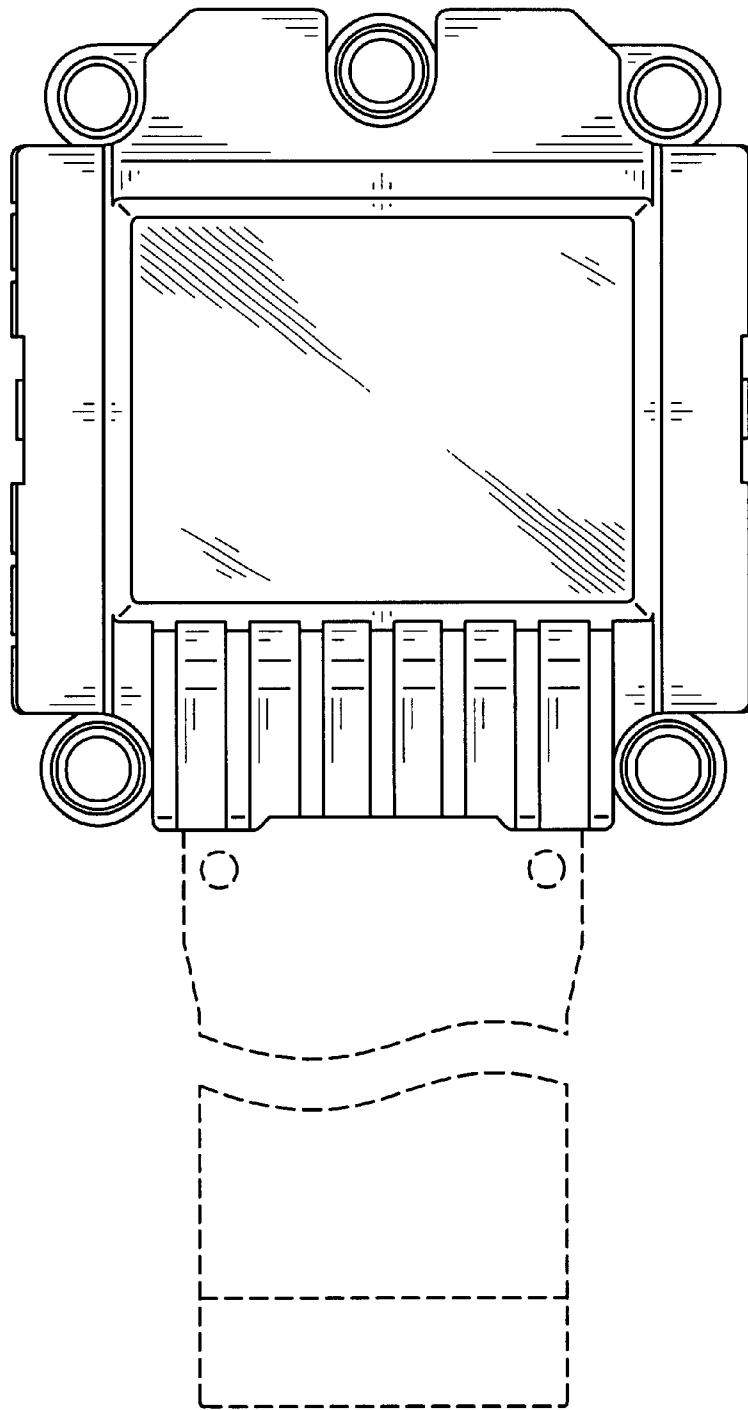


FIG. 9

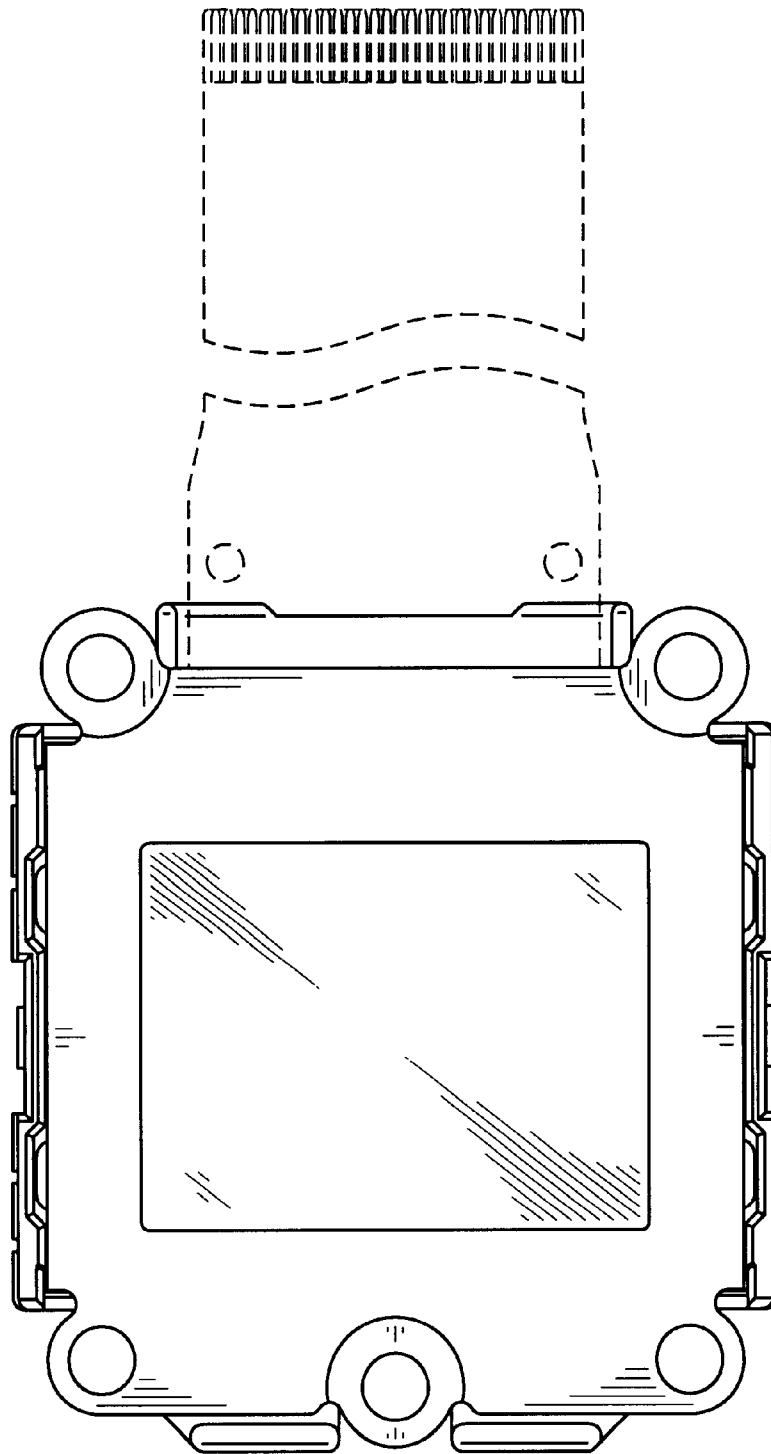


FIG. 10

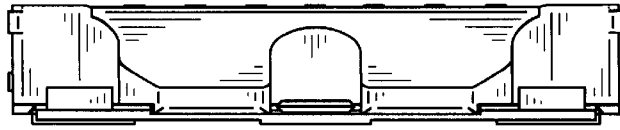


FIG. 11

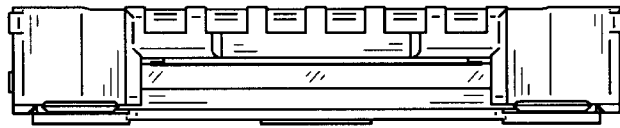


FIG. 12

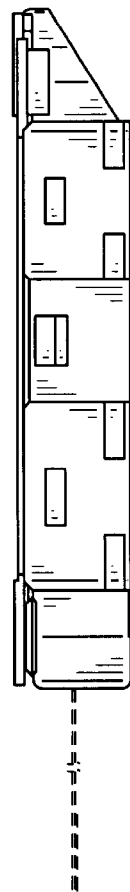


FIG. 13

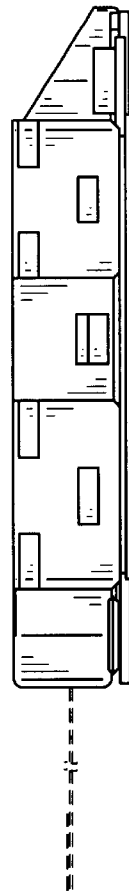


FIG. 14