

(19) World Intellectual Property Organization
International Bureau



(43) International Publication Date
23 July 2009 (23.07.2009)

(10) International Publication Number
WO 2009/090383 A3

(51) International Patent Classification:

A61B 17/02 (2006.01) A61B 19/00 (2006.01)
A61B 17/00 (2006.01)

(21) International Application Number:

PCT/GB2009/000097

(22) International Filing Date:

15 January 2009 (15.01.2009)

(25) Filing Language:

English

(26) Publication Language:

English

(30) Priority Data:

0800835.1 17 January 2008 (17.01.2008) GB

(71) Applicant (for all designated States except US): **CARDIOPRECISION LIMITED** [GB/GB]; Gordon Chambers, 90 Mitchell Street, Glasgow G1 3NQ (GB).

(72) Inventors; and

(75) Inventors/Applicants (for US only): **SUTHERLAND, Ying** [CN/GB]; Cardioprecision Limited, Gordon Chambers, 90 Mitchell Street, Glasgow G1 3NQ (GB). **SUTHERLAND, Fraser, William, Havern** [GB/GB]; Cardioprecision Limited, Gordon Chambers, 90 Mitchell Street, Glasgow G1 3NQ (GB).

(74) Agent: **MURGITROYD & COMPANY**; Scotland House, 165-169 Scotland Street, Glasgow G5 8PL (GB).

(81) Designated States (unless otherwise indicated, for every kind of national protection available): AE, AG, AL, AM,

AO, AT, AU, AZ, BA, BB, BG, BH, BR, BW, BY, BZ, CA, CH, CN, CO, CR, CU, CZ, DE, DK, DM, DO, DZ, EC, EE, EG, ES, FI, GB, GD, GE, GH, GM, GT, HN, HR, HU, ID, IL, IN, IS, JP, KE, KG, KM, KN, KP, KR, KZ, LA, LC, LK, LR, LS, LT, LU, LY, MA, MD, ME, MG, MK, MN, MW, MX, MY, MZ, NA, NG, NI, NO, NZ, OM, PG, PH, PL, PT, RO, RS, RU, SC, SD, SE, SG, SK, SL, SM, ST, SV, SY, TJ, TM, TN, TR, TT, TZ, UA, UG, US, UZ, VC, VN, ZA, ZM, ZW.

(84) Designated States (unless otherwise indicated, for every kind of regional protection available): ARIPO (BW, GH, GM, KE, LS, MW, MZ, NA, SD, SL, SZ, TZ, UG, ZM, ZW), Eurasian (AM, AZ, BY, KG, KZ, MD, RU, TJ, TM), European (AT, BE, BG, CH, CY, CZ, DE, DK, EE, ES, FI, FR, GB, GR, HR, HU, IE, IS, IT, LT, LU, LV, MC, MK, MT, NL, NO, PL, PT, RO, SE, SI, SK, TR), OAPI (BF, BJ, CF, CG, CI, CM, GA, GN, GQ, GW, ML, MR, NE, SN, TD, TG).

Published:

- with international search report (Art. 21(3))
- before the expiration of the time limit for amending the claims and to be republished in the event of receipt of amendments (Rule 48.2(h))

(88) Date of publication of the international search report:
12 November 2009

(54) Title: RETRACTOR

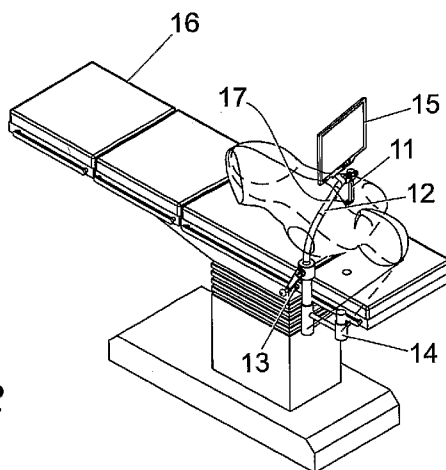


Fig. 2

(57) Abstract: Apparatus for use in an operating theatre equipped with a surgical table, comprises a lifting frame (12) attachable to the surgical table and adapted for lifting a body part of a subject undergoing a surgical procedure upon the surgical table, and comprising an upright support post (18) incorporating a jack (54), and a lifting arm (17) pivotally mounted upon the post, whereby the arm can be turned about the upright support post on thrust bearing (57) to either overhang the surgical table, or be pivoted away to permit access to the surgical table. The arm is adapted to support a retractor that comprises a blade portion incorporating a plurality of independent lighting devices positioned in light ports (71, 72, 73) and configured to provide discrete illumination selectively to zones within the surgical field according to (a) a predetermined sequence programme, or (b) a sequence determined by a user of the retractor.



WO 2009/090383 A3

INTERNATIONAL SEARCH REPORT

International application No
PCT/GB2009/000097

A. CLASSIFICATION OF SUBJECT MATTER INV. A61B17/02 ADD. A61B17/00 A61B19/00		
According to International Patent Classification (IPC) or to both national classification and IPC		
B. FIELDS SEARCHED		
Minimum documentation searched (classification system followed by classification symbols) A61B		
Documentation searched other than minimum documentation to the extent that such documents are included in the fields searched		
Electronic data base consulted during the international search (name of data base and, where practical, search terms used) EPO-Internal, WPI Data		
C. DOCUMENTS CONSIDERED TO BE RELEVANT		
Category*	Citation of document, with indication, where appropriate, of the relevant passages	Relevant to claim No.
X	US 5 634 883 A (CHIN ALBERT K [US] ET AL) 3 June 1997 (1997-06-03)	1-5, 15-17, 19-22
Y	column 7, line 1 - line 7; figure 20	7-9, 12, 14
X	----- US 6 015 378 A (BORST CORNELIUS [NL]; MANSVELT BECK HENDRICUS J [NL]; GRUNDEMAN PAUL F) 18 January 2000 (2000-01-18) column 13, line 7 - line 61	23-24
X	----- WO 03/017847 A (HUSSIEN MAGED [GB]) 6 March 2003 (2003-03-06)	22-23, 27-28
Y	page 6, line 13 - line 15 page 9, line 18 - line 24 page 12, line 18 - page 13, line 6 ----- -/--	9, 12, 14
<input checked="" type="checkbox"/> Further documents are listed in the continuation of Box C.		
<input checked="" type="checkbox"/> See patent family annex.		
* Special categories of cited documents :		
A document defining the general state of the art which is not considered to be of particular relevance	*T* later document published after the international filing date or priority date and not in conflict with the application but cited to understand the principle or theory underlying the invention	
E earlier document but published on or after the international filing date	*X* document of particular relevance; the claimed invention cannot be considered novel or cannot be considered to involve an inventive step when the document is taken alone	
L document which may throw doubts on priority claim(s) or which is cited to establish the publication date of another citation or other special reason (as specified)	*Y* document of particular relevance; the claimed invention cannot be considered to involve an inventive step when the document is combined with one or more other such documents, such combination being obvious to a person skilled in the art.	
O document referring to an oral disclosure, use, exhibition or other means	*&* document member of the same patent family	
P document published prior to the international filing date but later than the priority date claimed		
Date of the actual completion of the international search <p style="text-align: center; font-weight: bold;">9 September 2009</p>	Date of mailing of the international search report <p style="text-align: center; font-weight: bold;">18/09/2009</p>	
Name and mailing address of the ISA/ European Patent Office, P.B. 5818 Patentlaan 2 NL - 2280 HV Rijswijk Tel. (+31-70) 340-2040, Fax: (+31-70) 340-3016	Authorized officer <p style="text-align: center; font-weight: bold;">Angeli, Markus</p>	

INTERNATIONAL SEARCH REPORT

International application No

PCT/GB2009/000097

C(Continuation). DOCUMENTS CONSIDERED TO BE RELEVANT

Category*	Citation of document, with indication, where appropriate, of the relevant passages	Relevant to claim No.
Y	US 2008/002426 A1 (VAYSER ALEX [US] ET AL) 3 January 2008 (2008-01-03) paragraph [0030] -----	7-8
A	US 2006/217597 A1 (VAYSER ALEX [US] ET AL) 28 September 2006 (2006-09-28) paragraph [0027]; claim 1 -----	1
A	US 5 967 971 A (BOLSER JEFFREY WILLIAM [US]) 19 October 1999 (1999-10-19) the whole document -----	6

INTERNATIONAL SEARCH REPORT

International application No.
PCT/GB2009/000097

Box No. II Observations where certain claims were found unsearchable (Continuation of item 2 of first sheet)

This international search report has not been established in respect of certain claims under Article 17(2)(a) for the following reasons:

1. Claims Nos.:
because they relate to subject matter not required to be searched by this Authority, namely:

2. Claims Nos.:
because they relate to parts of the international application that do not comply with the prescribed requirements to such an extent that no meaningful international search can be carried out, specifically:

3. Claims Nos.:
because they are dependent claims and are not drafted in accordance with the second and third sentences of Rule 6.4(a).

Box No. III Observations where unity of invention is lacking (Continuation of item 3 of first sheet)

This International Searching Authority found multiple inventions in this international application, as follows:

see additional sheet

1. As all required additional search fees were timely paid by the applicant, this international search report covers allsearchable claims.

2. As all searchable claims could be searched without effort justifying an additional fees, this Authority did not invite payment of additional fees.

3. As only some of the required additional search fees were timely paid by the applicant, this international search report covers only those claims for which fees were paid, specifically claims Nos.:

4. No required additional search fees were timely paid by the applicant. Consequently, this international search report is restricted to the invention first mentioned in the claims; it is covered by claims Nos.:

Remark on Protest

- The additional search fees were accompanied by the applicant's protest and, where applicable, the payment of a protest fee.
- The additional search fees were accompanied by the applicant's protest but the applicable protest fee was not paid within the time limit specified in the invitation.
- No protest accompanied the payment of additional search fees.

FURTHER INFORMATION CONTINUED FROM PCT/ISA/ 210

This International Searching Authority found multiple (groups of) inventions in this international application, as follows:

1. claims: 1-8, 15-22, 29-31

A retractor directed to independent programmable lighting devices for illumination of a surgical field.

2. claims: 9-14

A retractor directed to a viewing device for displaying the surgical field.

3. claims: 23-28

An apparatus directed to a lifting frame for supporting a retractor.

INTERNATIONAL SEARCH REPORT

Information on patent family members

International application No

PCT/GB2009/000097

Patent document cited in search report	A	Publication date	Patent family member(s)	Publication date
US 5634883	A	03-06-1997	US 5643178 A	01-07-1997
US 6015378	A	18-01-2000	AT 344640 T	15-11-2006
			AT 240682 T	15-06-2003
			AU 7241496 A	09-04-1997
			BR 9610670 A	06-07-1999
			CA 2232580 A1	27-03-1997
			CN 1198664 A	11-11-1998
			DE 69628341 D1	26-06-2003
			DE 69628341 T2	25-03-2004
			DE 69636692 T2	18-10-2007
			DK 1240871 T3	19-02-2007
			DK 939605 T3	23-06-2003
			EP 0939605 A1	08-09-1999
			ES 2274928 T3	01-06-2007
			ES 2199298 T3	16-02-2004
			HK 1016052 A1	17-12-2004
			JP 11511366 T	05-10-1999
			NO 981289 A	19-05-1998
			PT 939605 E	29-08-2003
			WO 9710753 A1	27-03-1997
			US 2006036128 A1	16-02-2006
			US 6364826 B1	02-04-2002
			US 5927284 A	27-07-1999
WO 03017847	A	06-03-2003	NONE	
US 2008002426	A1	03-01-2008	WO 2007146314 A2	21-12-2007
US 2006217597	A1	28-09-2006	NONE	
US 5967971	A	19-10-1999	EP 1071371 A1	31-01-2001
			WO 9952449 A1	21-10-1999