



US00D429658S

United States Patent [19]

[11] Patent Number: Des. 429,658

Biagi

[45] Date of Patent: ** Aug. 22, 2000

[54] EARRING FASTENING APPARATUS

Primary Examiner—Ralf Seifert
Attorney, Agent, or Firm—Allen, Dyer, Doppelt, Milbrath & Gilchrist, P.A.

[76] Inventor: Kathalean M. Biagi, 1834 Shadyhill Ter., Winter Park, Fla. 32792

[57] CLAIM

[**] Term: 14 Years

The ornamental design for a earring fastening apparatus, as shown and described.

[21] Appl. No.: 29/111,160

DESCRIPTION

[22] Filed: Sep. 21, 1999

Related U.S. Application Data

[63] Continuation of application No. 09/226,479, Jan. 7, 1999, which is a continuation-in-part of application No. PCT/US97/12901, Jul. 23, 1997, which is a continuation-in-part of application No. 08/815,838, Mar. 12, 1997, Pat. No. 5,893,277.

FIG. 1 is a front side perspective exploded view of a first embodiment of the earring fastening apparatus of the present invention.

FIG. 2 is a front side perspective assembled view of the embodiment of FIG. 1.

FIG. 3 is a side perspective assembled view of the embodiment of FIG. 1.

FIG. 4 is a rear plan view of the embodiment of FIG. 1.

FIG. 5 is a front plan view of the embodiment of FIG. 1.

FIG. 6 is a side cross-sectional assembled view of the embodiment of FIG. 1.

FIG. 7 is a front side perspective exploded view of a second embodiment of the earring fastening apparatus of the present invention.

FIG. 8 is a front side perspective assembled view of the embodiment of FIG. 7.

FIG. 9 is a side perspective assembled view of the embodiment of FIG. 7.

FIG. 10 is a rear plan view of the embodiment of FIG. 7.

FIG. 11 is a front plan view of the embodiment of FIG. 7; and,

FIG. 12 is a side cross-sectional assembled view of the embodiment of FIG. 7.

It being understood that the broken lines are for illustrative purposes only.

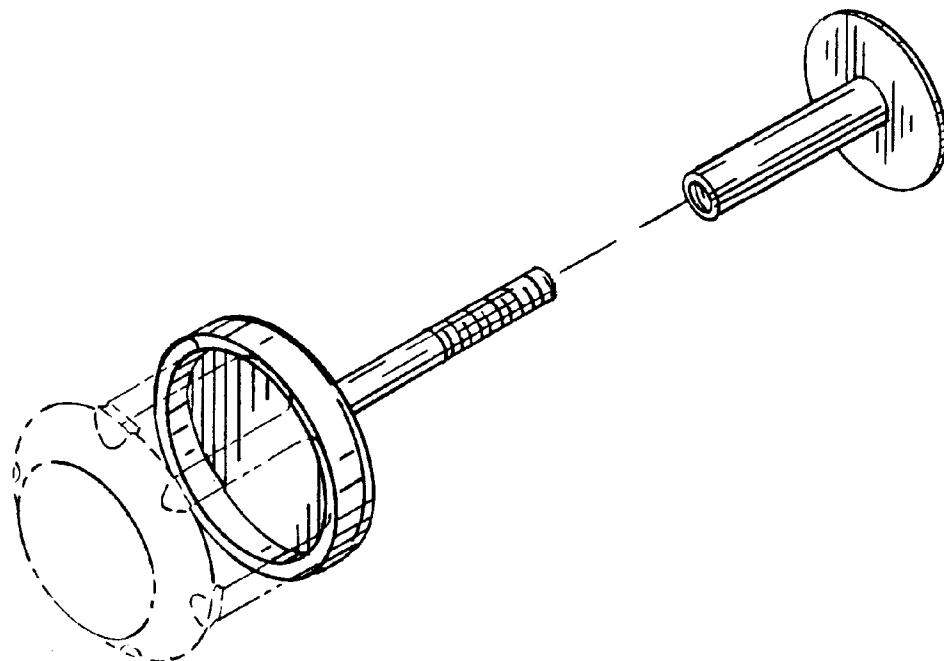
1 Claim, 3 Drawing Sheets

[51] LOC (7) Cl. 11-01
[52] U.S. Cl. D11/41
[58] Field of Search D11/1, 2, 40, 41,
D11/86-87, 91, 92, 75; 63/12, 13, 29.1,
26, 14.3; 128/330; 24/108, 90 R

[56] References Cited

U.S. PATENT DOCUMENTS

D. 273,666	5/1984	Hayashi	D11/75
426,999	4/1890	Lewis	24/108
2,069,598	2/1937	Arpels	63/29.1
4,139,993	2/1979	Tucker	63/14.3
4,242,886	1/1981	Tucker	63/14.3
5,400,620	3/1995	Cervo et al.	63/12
5,743,113	4/1998	Kogen	63/12



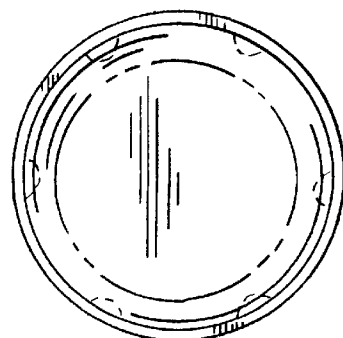
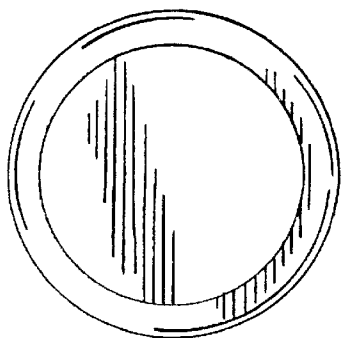
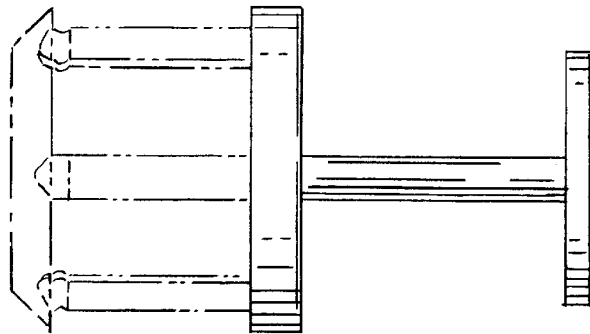
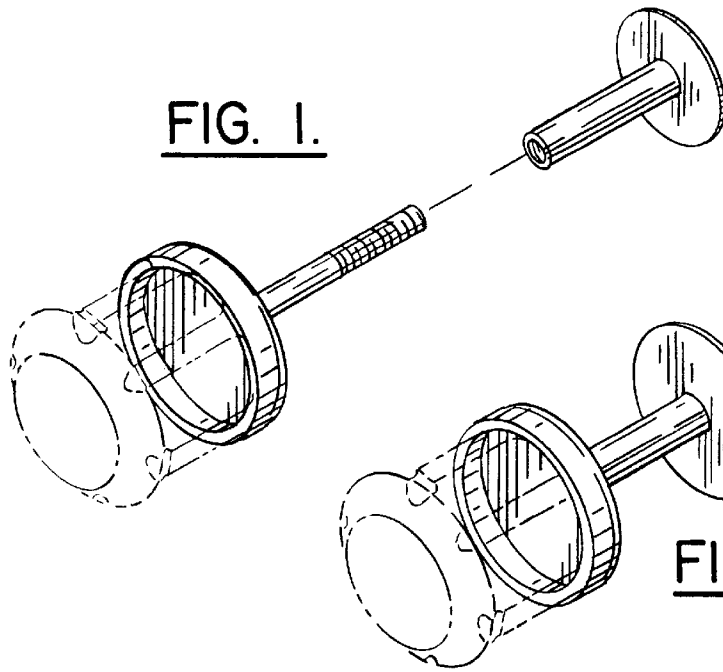


FIG. 4.

FIG. 5.

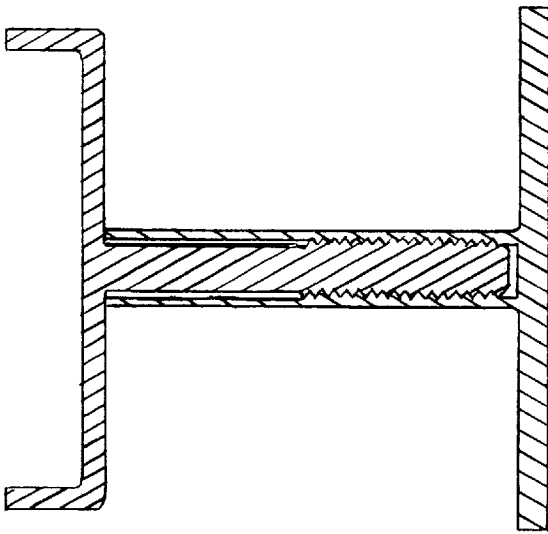


FIG. 6.

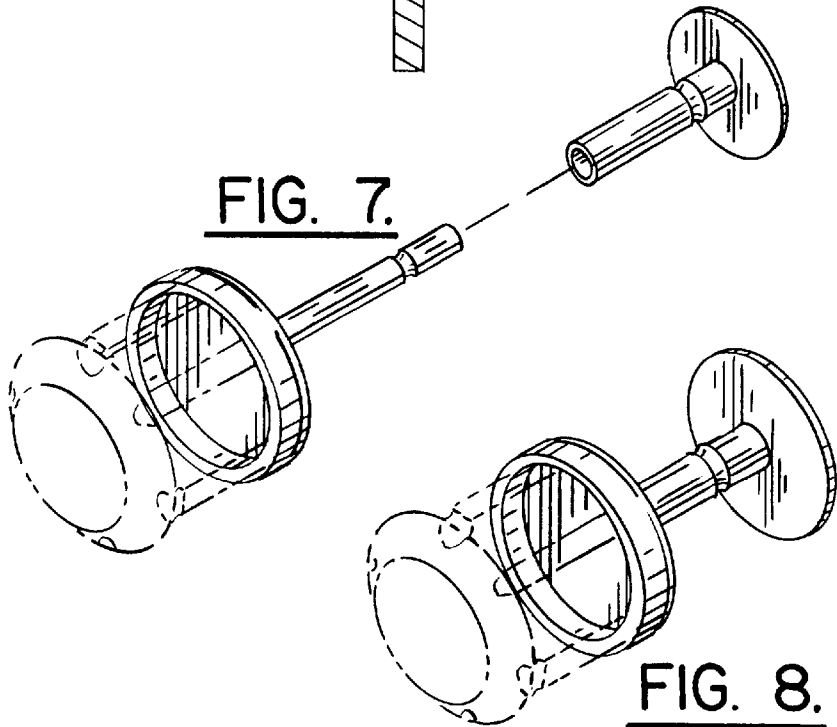


FIG. 7.

FIG. 8.

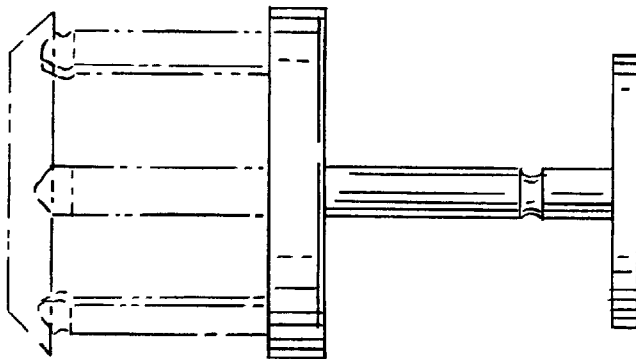


FIG. 9.

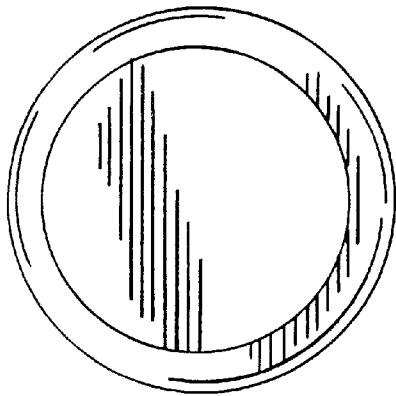


FIG. 10.

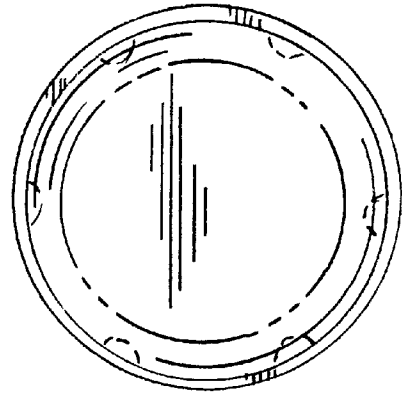


FIG. 11.

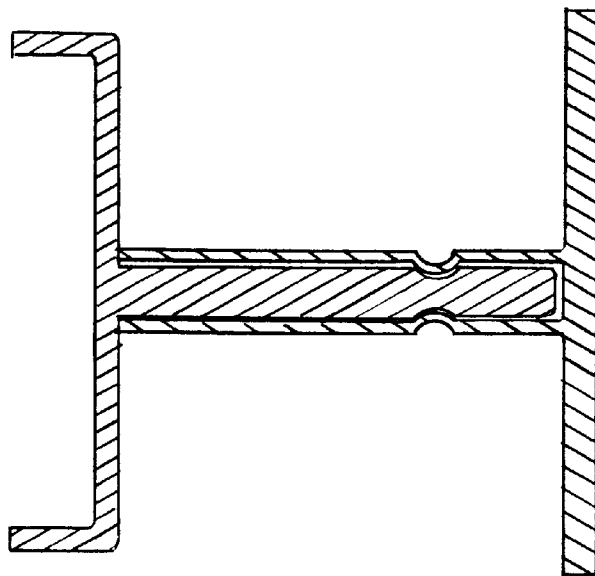


FIG. 12.