



(51) International Patent Classification:

F02C 7/20 (2006.01) F01D 9/04 (2006.01)  
F01D 25/00 (2006.01) G01K 13/00 (2006.01)  
F01D 25/28 (2006.01)

(21) International Application Number:

PCT/US20 13/075446

(22) International Filing Date:

16 December 2013 (16.12.2013)

(25) Filing Language:

English

(26) Publication Language:

English

(30) Priority Data:

13/730,901 29 December 2012 (29.12.2012) US

(71) Applicant: UNITED TECHNOLOGIES CORPORATION [US/US]; One Financial Plaza, Hartford, Connecticut 06101 (US).

(72) Inventors: CHUONG, Conway; 20 Peila Drive, Manchester, Connecticut 06040 (US). BUDNICK, Matthew; 3A Intervale Court, Hudson, New Hampshire 03051 (US).

(74) Agents: KOMAREC, Stephen M. et al; 312 S 3rd Street, Minneapolis, Minnesota 55415 (US).

(81) Designated States (unless otherwise indicated, for every kind of national protection available): AE, AG, AL, AM, AO, AT, AU, AZ, BA, BB, BG, BH, BN, BR, BW, BY, BZ, CA, CH, CL, CN, CO, CR, CU, CZ, DE, DK, DM, DO, DZ, EC, EE, EG, ES, FI, GB, GD, GE, GH, GM, GT, HN, HR, HU, ID, IL, IN, IR, IS, JP, KE, KG, KN, KP, KR, KZ, LA, LC, LK, LR, LS, LT, LU, LY, MA, MD, ME, MG, MK, MN, MW, MX, MY, MZ, NA, NG, NI, NO, NZ, OM, PA, PE, PG, PH, PL, PT, QA, RO, RS, RU, RW, SA, SC, SD, SE, SG, SK, SL, SM, ST, SV, SY, TH, TJ, TM, TN, TR, TT, TZ, UA, UG, US, UZ, VC, VN, ZA, ZM, ZW.

(84) Designated States (unless otherwise indicated, for every kind of regional protection available): ARIPO (BW, GH, GM, KE, LR, LS, MW, MZ, NA, RW, SD, SL, SZ, TZ, UG, ZM, ZW), Eurasian (AM, AZ, BY, KG, KZ, RU, TJ, TM), European (AL, AT, BE, BG, CH, CY, CZ, DE, DK, EE, ES, FI, FR, GB, GR, HR, HU, IE, IS, IT, LT, LU, LV, MC, MK, MT, NL, NO, PL, PT, RO, RS, SE, SI, SK, SM,

[Continued on nextpage]

(54) Title: COMPONENT RETENTION WITH PROBE

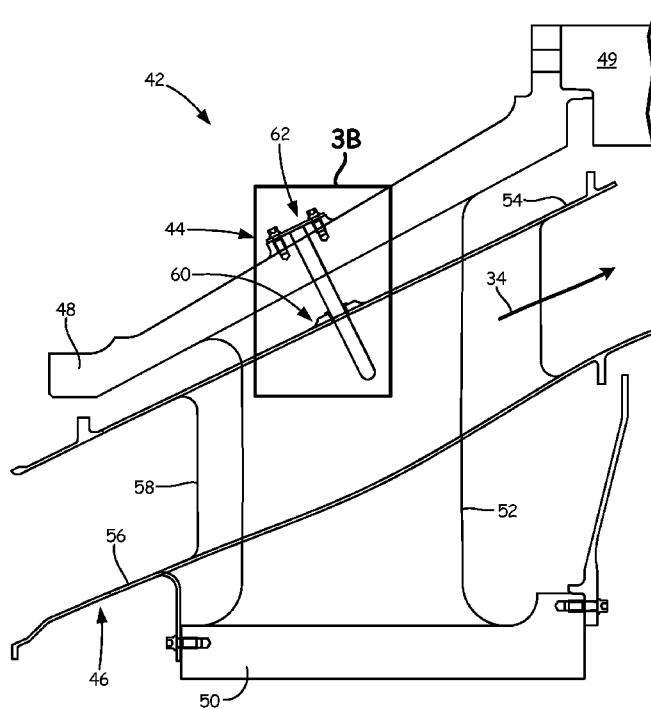


Fig. 3A

(57) Abstract: A gas turbine engine includes a casing, a probe, and a fairing. The probe extends through the casing and the fairing is disposed within the casing. The fairing is engaged by the probe to prevent circumferential movement of the fairing relative to the casing.





TR), OAPI (BF, BJ, CF, CG, CI, CM, GA, GN, GQ, GW,  
KM, ML, MR, NE, SN, TD, TG).

— *before the expiration of the time limit for amending the  
claims and to be republished in the event of receipt of  
amendments (Rule 48.2(h))*

**Published:**

— *with international search report (Art. 21(3))*

**(88) Date of publication of the international search report:**

13 November 2014

**INTERNATIONAL SEARCH REPORT**

International application No.  
**PCT/US2013/075446**

**A. CLASSIFICATION OF SUBJECT MATTER**

**F02C 7/20(2006.01)i, FOID 25/00(2006.01)i, FOID 25/28(2006.01)i, FOID 9/04(2006.01)i, GOIK 13/00(2006.01)i**

According to International Patent Classification (IPC) or to both national classification and IPC

**B. FIELDS SEARCHED**

Minimum documentation searched (classification system followed by classification symbols)

F02C 7/20; G01M 15/00; G01K 1/14; G01K 1/08; F02C 7/04; F02G 3/00; F01D 25/18; F01B 25/26; F01D 25/00; F01D 25/28; F01D 9/04; G01K 13/00

Documentation searched other than minimum documentation to the extent that such documents are included in the fields searched

Korean utility models and applications for utility models  
Japanese utility models and applications for utility models

Electronic data base consulted during the international search (name of data base and, where practicable, search terms used)

eKOMPASS(KIPO internal) & keywords: gas turbine engine, turbine frame, casing, fairing, probe, retention, circumferential, axial, radial, movement, and busing

**C. DOCUMENTS CONSIDERED TO BE RELEVANT**

Category *	Citation of document, with indication, where appropriate, of the relevant passages	Relevant to claim No.
X Y A	US 5185996 A (SMITH et al.) 16 February 1993 See column 2, line 17 - column 5, line 19 and figure 1.	1-4 ,6, 8-9 ,11-16 ,18-19 5,20 7,10, 17
Y	US 2010-0275572 AI (DUROCHER et al.) 04 November 2010 See paragraphs [0014] , [0021] and figure 2.	5,20
A	US 2007-0107504 AI (SMED et al.) 17 May 2007 See paragraphs [0015]- [0018] and figures 1-3 .	1-20
A	US 2005-0152433 AI (HOWARD et al.) 14 July 2005 See paragraphs [0015]- [0021] and figures 1-3 .	1-20
A	US 2007-0231122 AI (TSURU et al.) 04 October 2007 See paragraphs [0024]- [0027] and figures 2-3 , 5.	1-20

**II** Further documents are listed in the continuation of Box C.

See patent family annex.

\* Special categories of cited documents:

"A" document defining the general state of the art which is not considered to be of particular relevance  
"E" earlier application or patent but published on or after the international filing date  
"L" document which may throw doubts on priority claim(s) or which is cited to establish the publication date of another citation or other special reason (as specified)  
"O" document referring to an oral disclosure, use, exhibition or other means  
"P" document published prior to the international filing date but later than the priority date claimed

"T" later document published after the international filing date or priority date and not in conflict with the application but cited to understand the principle or theory underlying the invention  
"X" document of particular relevance; the claimed invention cannot be considered novel or cannot be considered to involve an inventive step when the document is taken alone  
"Y" document of particular relevance; the claimed invention cannot be considered to involve an inventive step when the document is combined with one or more other such documents, such combination being obvious to a person skilled in the art  
"&" document member of the same patent family


Date of the actual completion of the international search

22 September 2014 (22.09.2014)

Date of mailing of the international search report

**22 September 2014 (22.09.2014)**

Name and mailing address of the ISA/KR

 International Application Division  
Korean Intellectual Property Office  
189 Cheongsu-ro, Seo-gu, Daejeon Metropolitan City, 302-701,  
Republic of Korea  
Facsimile No. +82-42-472-7140

Authorized officer

LEE, Chang Ho

Telephone No. +82-42-481-8398



# INTERNATIONAL SEARCH REPORT

Information on patent family members

International application No.

**PCT/US2013/075446**

Patent document cited in search report	Publication date	Patent family member(s)	Publication date
US 5185996 A	16/02/1993	wo 92-11445 AI	09/07/1992
US 2010-0275572 AI	04/11/2010	CA 2701313 AI	30/10/2010
US 2007-0107504 AI	17/05/2007	US 7231817 B2	19/06/2007
US 2005-0152433 AI	14/07/2005	EP 1553391 AI	13/07/2005
		US 7153023 B2	26/12/2006
US 2007-0231122 AI	04/10/2007	CN 1950595 A	18/04/2007
		EP 1746270 AI	24/01/2007
		JP 04474989 B2	09/06/2010
		JP 2005-315076 A	10/11/2005
		wo 2005-103465 AI	03/11/2005