



US00D769055S

(12) **United States Design Patent**
Lee

(10) **Patent No.:** **US D769,055 S**

(45) **Date of Patent:** **** Oct. 18, 2016**

(54) **COOKING PAN FOR USE IN HEATING COOKERS**

(71) Applicant: **Jin Hee Lee**, Seoul (KR)

(72) Inventor: **Jin Hee Lee**, Seoul (KR)

(**) Term: **14 Years**

(21) Appl. No.: **29/526,240**

(22) Filed: **May 7, 2015**

(30) **Foreign Application Priority Data**

Mar. 12, 2015 (KR) 30-2015-0012430

(51) **LOC (10) Cl.** **07-02**

(52) **U.S. Cl.**

USPC **D7/362; D7/352; D7/409**

(58) **Field of Classification Search**

USPC D7/323, 352-362, 543, 545, 549, 550.1, D7/553.1-553.8, 554.1-554.4, 555, 584, D7/586, 688; D9/430-433, 455-456, 737, D9/756-762; D19/92

CPC A21B 3/00; A21B 3/003; A21B 3/13; A21B 3/15; A21B 3/134; A21B 5/00; A21B 5/02; A47J 27/004; A47J 36/022; A47J 36/025; A47J 36/027; A47J 36/38; A47J 36/2483; A47J 37/00; A47J 37/04; A47J 37/067; A47J 37/0676; A47J 37/108; A47J 37/10; A47J 43/28; A47J 43/284; A47G 23/06; B65D 1/22; B65D 1/24; B65D 1/34; B65D 1/36; B65D 81/343; B65D 85/36

See application file for complete search history.

(56) **References Cited**

U.S. PATENT DOCUMENTS

344,193 A * 6/1886 Nitchell A47J 37/10 99/422
1,396,684 A * 11/1921 Hansen A21B 3/13 249/117
2,704,974 A * 3/1955 Steman A47G 23/06 206/518

D195,683 S * 7/1963 Quistgaard D7/554.1
3,231,718 A * 1/1966 Vasile A47J 36/2483 156/224
D224,751 S * 9/1972 Propst D7/554.3
D226,285 S * 2/1973 Bateman D7/554.3
D239,316 S * 3/1976 Smith D7/554.3
D316,116 S * 4/1991 Hawes, Jr. D19/86
D379,051 S * 5/1997 Jacquemin D7/352
D421,548 S * 3/2000 Cornelissen D7/545
D428,059 S * 7/2000 Saylor D19/86
6,363,842 B1 * 4/2002 Lin A47J 36/38 126/299 D
D458,078 S * 6/2002 Lin D7/362
D461,995 S * 8/2002 Massaloux D7/545
D473,418 S * 4/2003 Burton D7/354
D547,597 S * 7/2007 Levy D7/354
7,340,994 B2 * 3/2008 Bruno A47J 37/067 99/426
D612,663 S * 3/2010 Galperin D7/354
D653,904 S * 2/2012 Lee D7/362
D684,808 S * 6/2013 Mehler D7/354
D688,086 S * 8/2013 Lee D7/362
D688,087 S * 8/2013 Lee D7/362
D688,088 S * 8/2013 Lee D7/362
D688,089 S * 8/2013 Lee D7/362
D688,090 S * 8/2013 Lee D7/362

* cited by examiner

Primary Examiner — Ricky Pham

(74) *Attorney, Agent, or Firm* — Kile Park Reed & Houtteman PLLC

(57) **CLAIM**

I claim, the ornamental design for a cooking pan for use in heating cookers, as shown and described.

DESCRIPTION

FIG. 1 is a top and front perspective view of a cooking pan for use in heating cookers, showing my new design;
FIG. 2 is a front view thereof;
FIG. 3 is a rear view thereof;
FIG. 4 is a left side view thereof;
FIG. 5 is a right side view thereof;
FIG. 6 is a top plan view thereof; and,
FIG. 7 is a bottom plan view thereof.

1 Claim, 7 Drawing Sheets

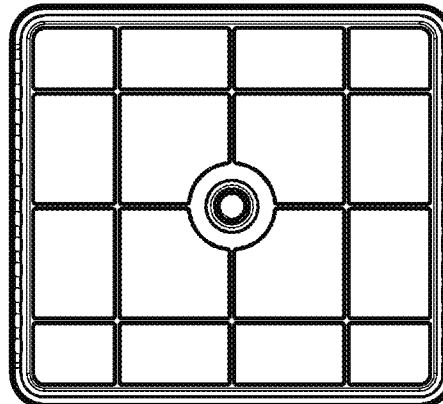
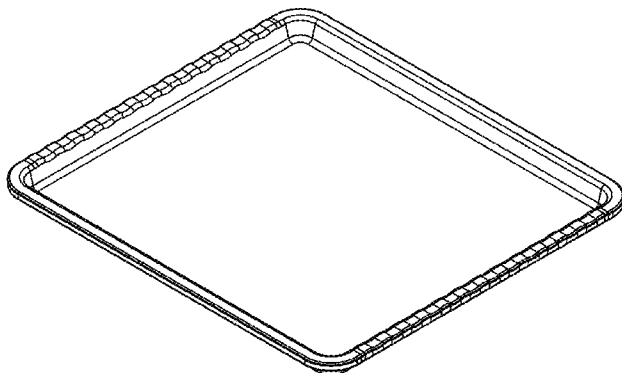


FIG. 1

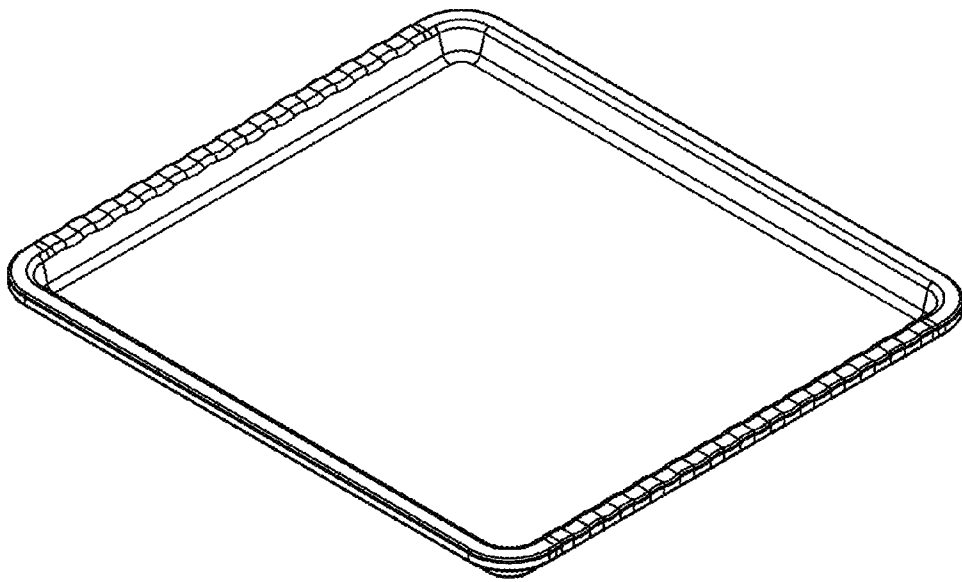


FIG. 2

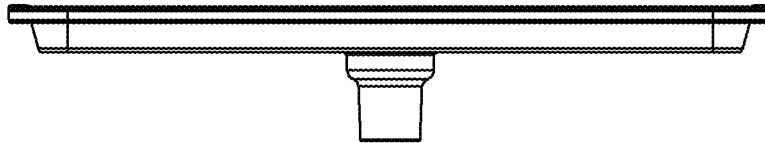


FIG. 3

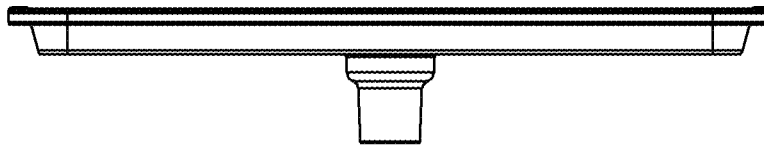


FIG. 4

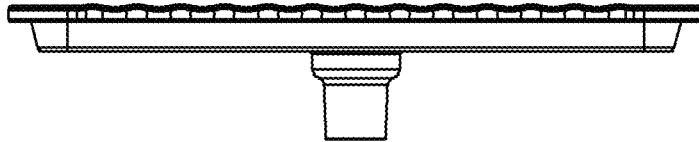


FIG. 5

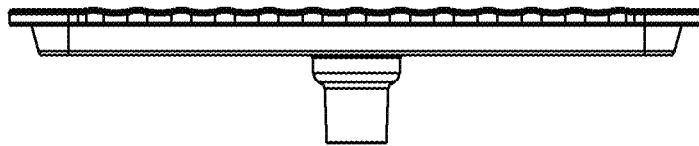


FIG. 6

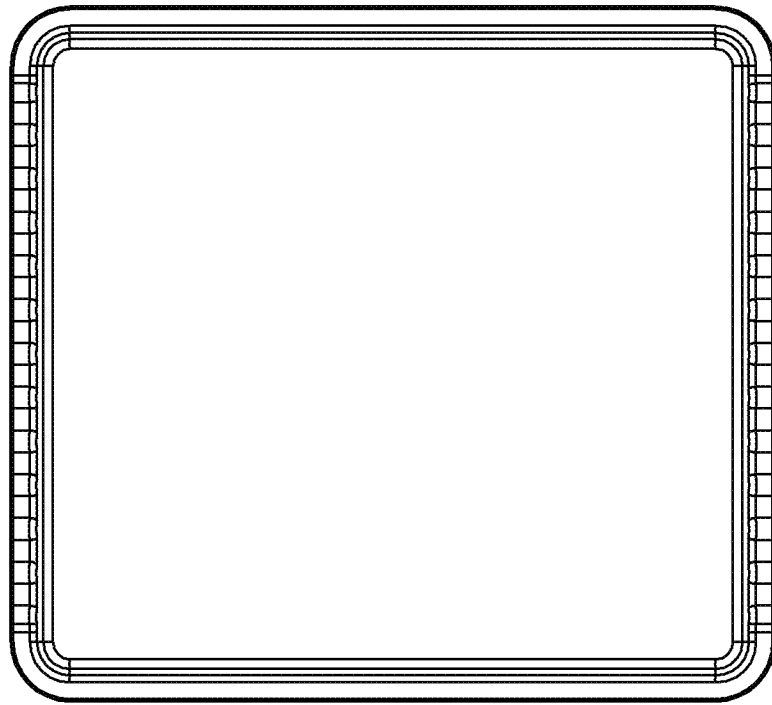


FIG. 7

