



US00D995945S

(12) **United States Design Patent**  
**Kohl**

(10) **Patent No.:** **US D995,945 S**

(45) **Date of Patent:** **\*\* Aug. 15, 2023**

(54) **PET GROOMING TOOL**

(71) Applicant: **AARONCO PET PRODUCTS, INC.,**  
Somers, NY (US)

(72) Inventor: **Samuel Kohl**, Somers, NY (US)

(73) Assignee: **AARONCO PET PRODUCTS, INC.,**  
Somers, NY (US)

(\*\*) Term: **15 Years**

(21) Appl. No.: **29/802,473**

(22) Filed: **Aug. 5, 2021**

(51) **LOC (14) Cl.** ..... **30-10**

(52) **U.S. Cl.** ..... **D30/159**  
USPC .....

(58) **Field of Classification Search**

USPC ..... D30/158, 159, 199; D4/118, 136, 137,  
D4/199; D32/40, 46, 48; D7/650, 664;  
D28/31, 44, 44.1, 45, 48  
CPC .... A01K 13/00; A01K 13/001; A01K 13/002;  
A45D 24/00; B26B 3/00; B26B 3/04;  
B26B 21/02; B26B 21/04; B26B 21/06  
See application file for complete search history.

(56) **References Cited**

**U.S. PATENT DOCUMENTS**

1,259,931	A *	3/1918	Toal .....	B26B 21/02 30/78
2,274,188	A *	2/1942	Campbell .....	B26B 3/00 30/317
2,293,286	A *	8/1942	Fenner .....	B26B 9/02 D7/650
D139,696	S *	12/1944	Pileggi .....	B26B 9/02 D28/25
D208,345	S *	8/1967	Battaglia .....	D28/25
D373,661	S *	9/1996	Watson .....	B26B 21/16 D30/158
6,220,133	B1 *	4/2001	Gosselin .....	B26B 3/00 7/113

(Continued)

**OTHER PUBLICATIONS**

Aaronco Genuine Pro Stripping Knives Right Hand 5 Pc Knife Set, posted Nov. 3, 2018, retrieved Apr. 6, 2023 [online]. URL: <https://www.amazon.com/Aaronco-Genuine-Stripping-Grooming-Carding/dp/B00WCSBH9Q> (Year: 2018).\*

(Continued)

*Primary Examiner* — Sheryl Lane

*Assistant Examiner* — Emily A Caven

(74) *Attorney, Agent, or Firm* — Dilworth & Barrese, LLP

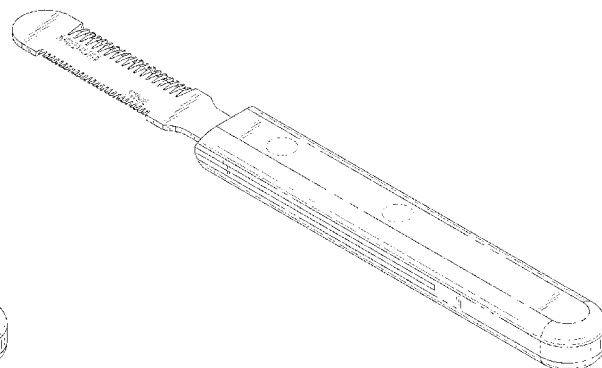
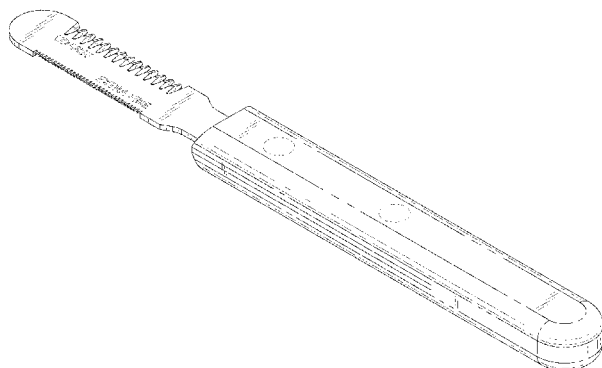
(57) **CLAIM**

The ornamental design for a pet grooming tool, as shown and described.

**DESCRIPTION**

FIG. 1 is a top perspective view of a first embodiment of the pet grooming tool showing my new design; FIG. 2 is a bottom perspective view thereof; FIG. 3 is a front elevational view thereof; FIG. 4 is a rear elevational view thereof; FIG. 5 is a left side elevational view thereof; FIG. 6 is a right side elevational view thereof; FIG. 7 is a top plan view thereof; and FIG. 8 is a bottom plan view thereof; and FIG. 9 is a top perspective view of a second embodiment of the pet grooming tool showing my new design; FIG. 10 is a bottom perspective view thereof; FIG. 11 is a front elevational view thereof; FIG. 12 is a rear elevational view thereof; FIG. 13 is a left side elevational view thereof; FIG. 14 is a right side elevational view thereof; FIG. 15 is a top plan view thereof; and, FIG. 16 is a bottom plan view thereof. The broken lines illustrate portions of the article that form no part of the claimed design.

**1 Claim, 8 Drawing Sheets**



(56)

**References Cited**

## U.S. PATENT DOCUMENTS

D531,754 S \* 11/2006 Lee ..... B26B 3/00  
D28/45  
D532,157 S \* 11/2006 Lee ..... D28/45  
D841,886 S \* 2/2019 Bromann ..... B26B 21/16  
D28/45  
2014/0261226 A1\* 9/2014 Fung ..... A45D 24/42  
119/625  
2023/0043396 A1\* 2/2023 Kohl ..... A01K 13/002

## OTHER PUBLICATIONS

Flamia& Jabz Professional Dog Grooming Hand Stripping Knife, posted Apr. 12, 2021, retrieved Apr. 6, 2023 [online]. URL: <https://www.amazon.com/FLAMIA-JABZ-Professional-Stripping-Stainless/dp/B092G6LTV?th=1> (Year: 2021).\*

Aaronco Super Quad Stripping Knife Set, website archived Jan. 24, 2022, retrieved Apr. 6, 2023 [online]. URL: <https://web.archive.org/web/20220124062843/https://www.showdogstore.com/aaronco-super-quad-stripping-knife-set/> (Year: 2022).\*

Aaronco Super Quad™ Stripper Set, posting date unavailable, retrieved Apr. 6, 2023 [online]. URL: <https://groomersmart.com/product/aaronco-super-quad-stripper-set/> (Year: 2023).\*

Greyhound 3 Way Stripping Knife Lefty, posting date unavailable, retrieved Apr. 6, 2023 [online]. URL: <https://redcape.co.uk/product/greyhound-3-way-stripping-knife-lefty/> (Year: 2023).\*

\* cited by examiner

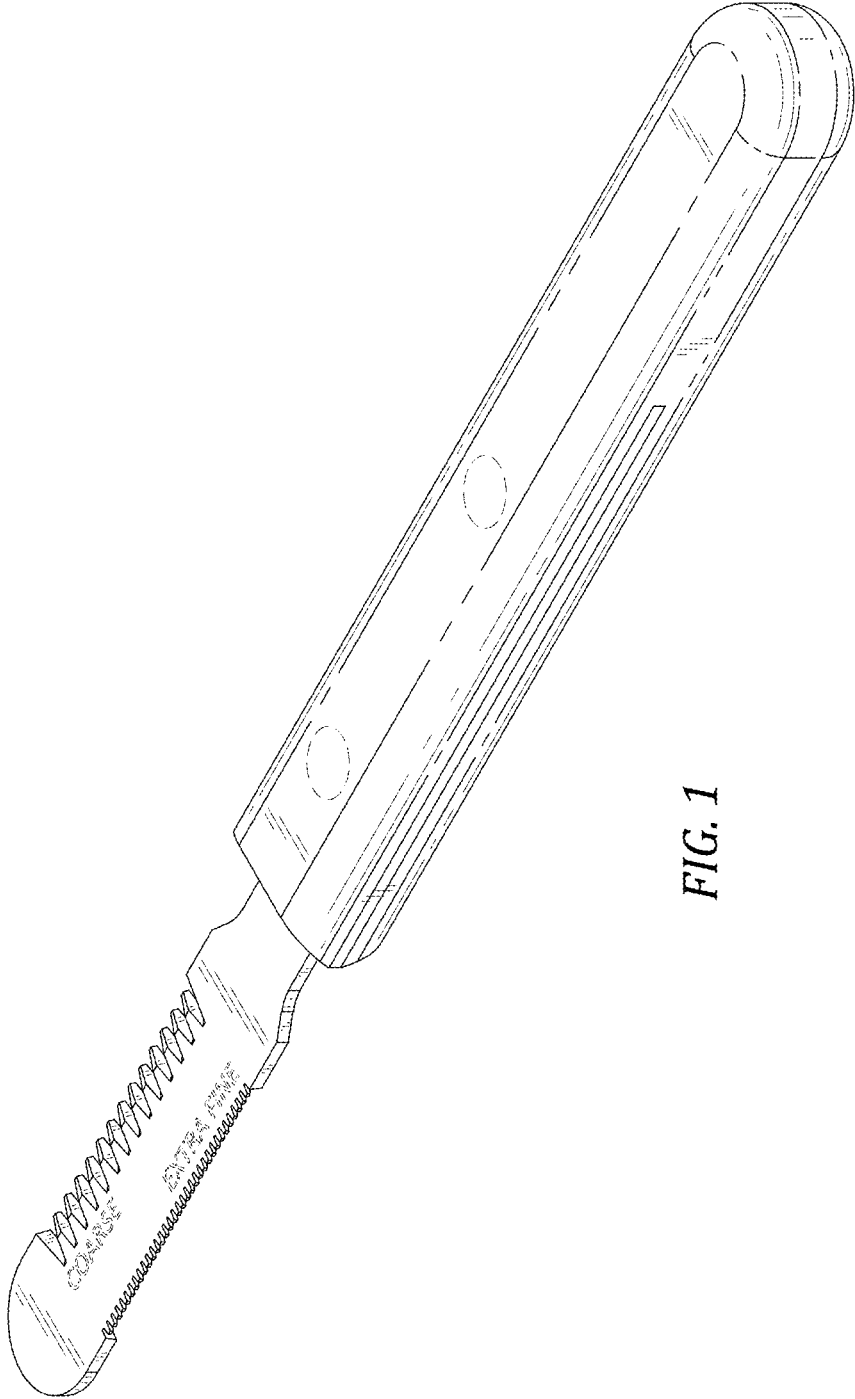


FIG. 1

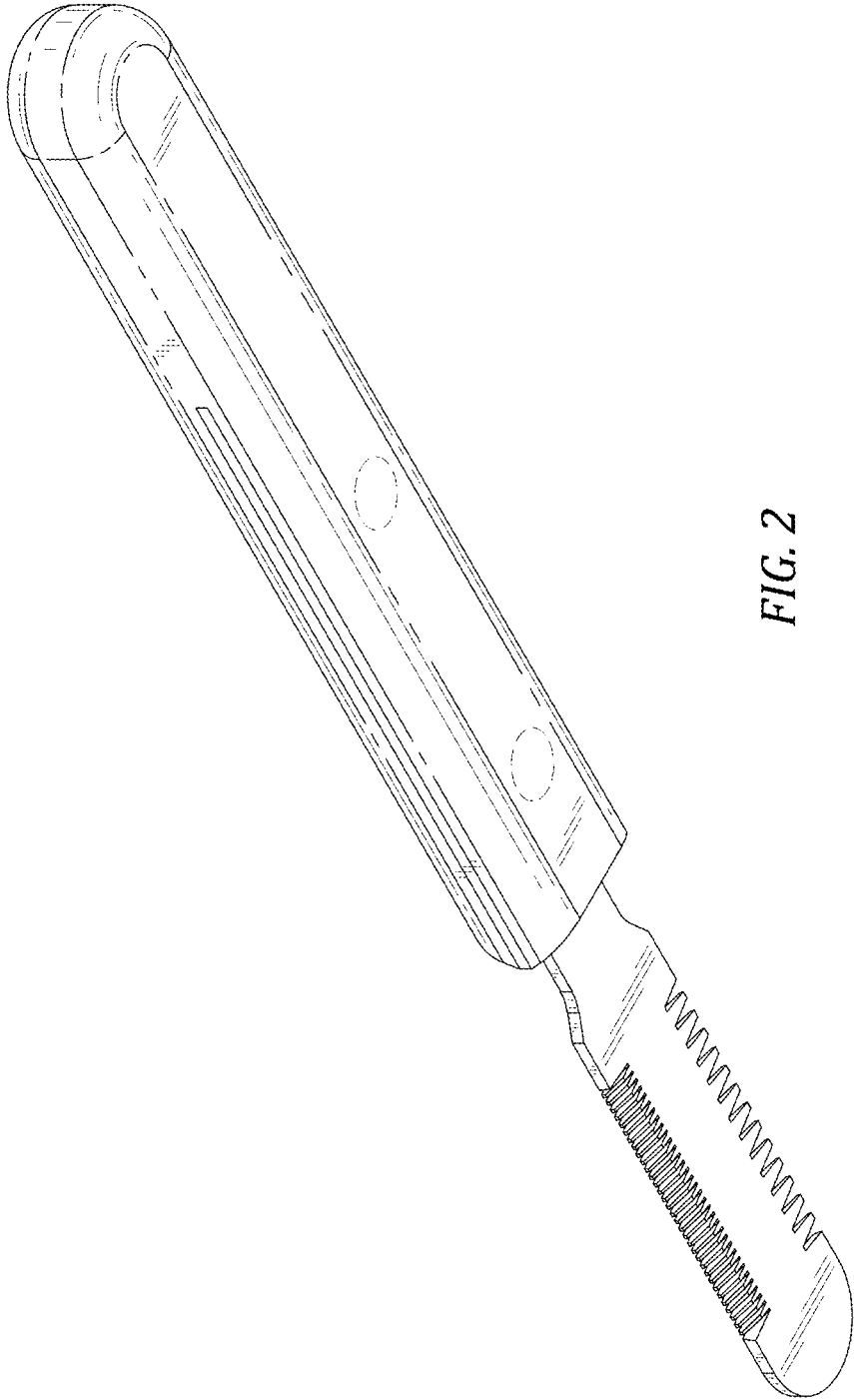


FIG. 2

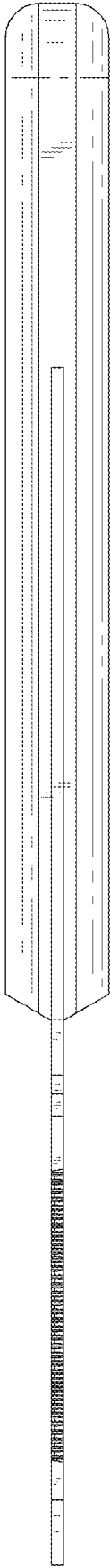


FIG. 3

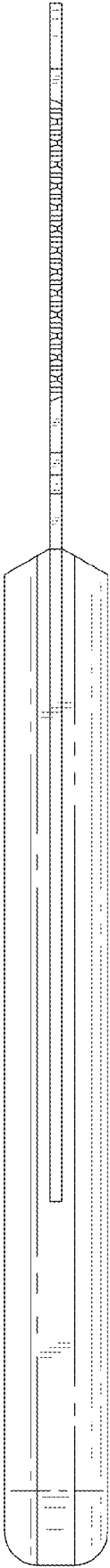


FIG. 4



FIG. 5

FIG. 6

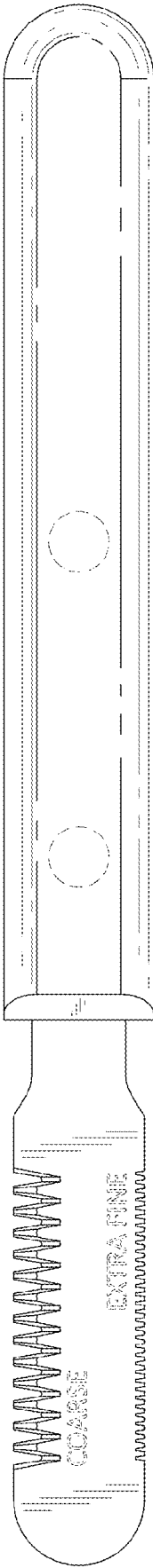


FIG. 7

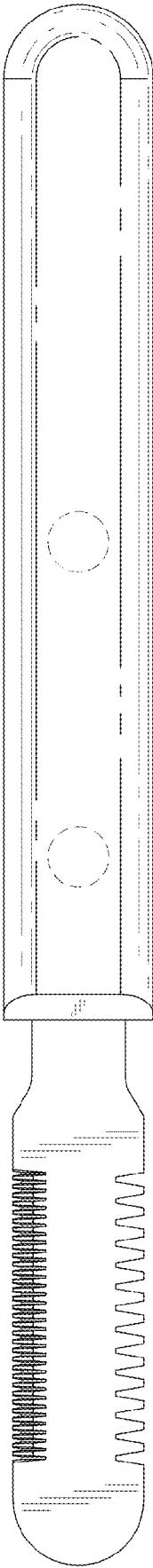


FIG. 8

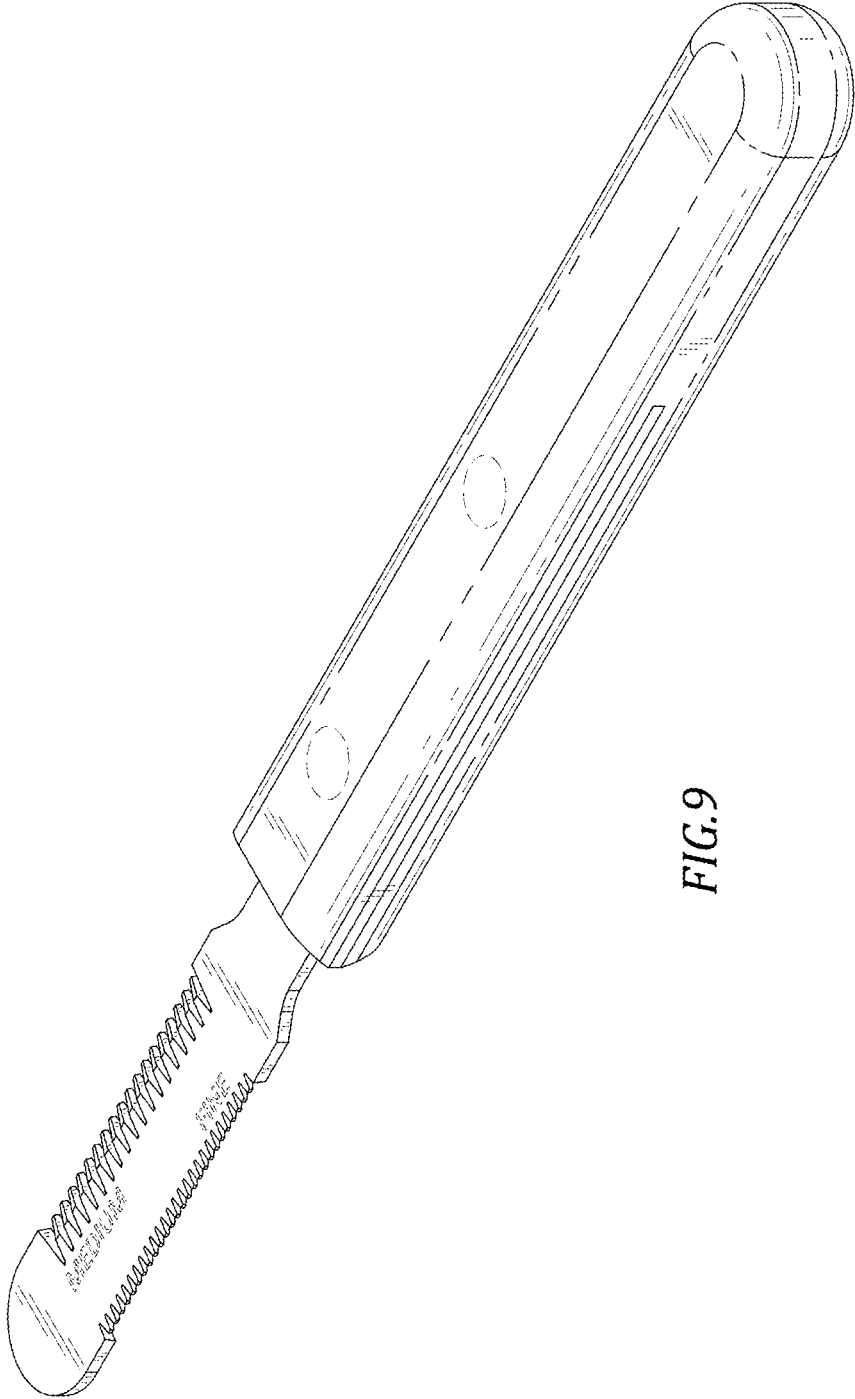


FIG.9

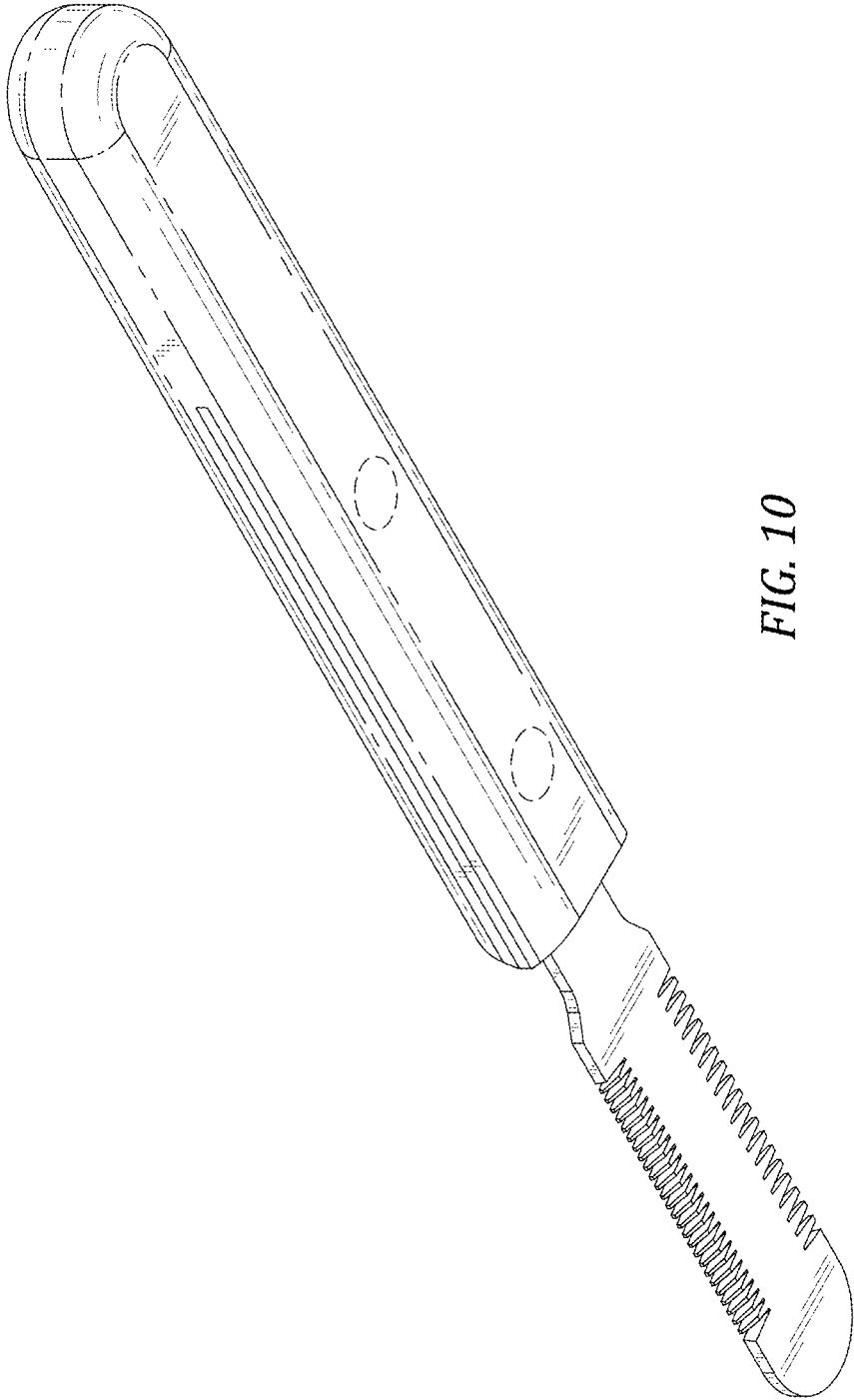


FIG. 10

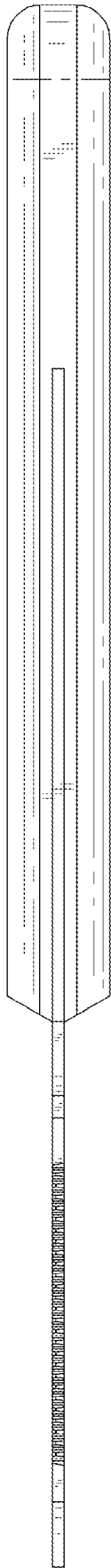


FIG. 11

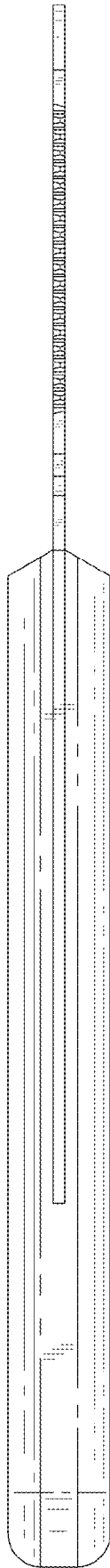


FIG. 12

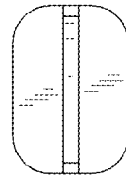


FIG. 13



FIG. 14

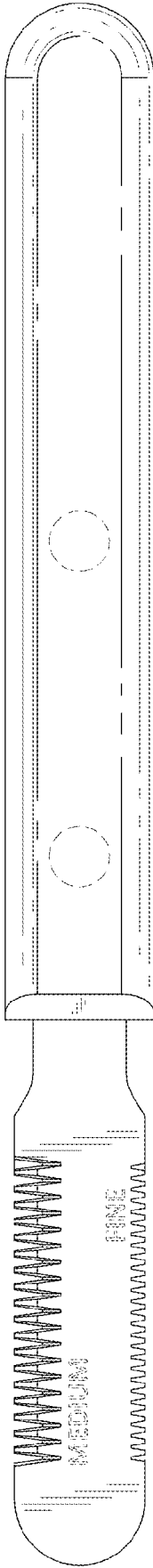


FIG. 15

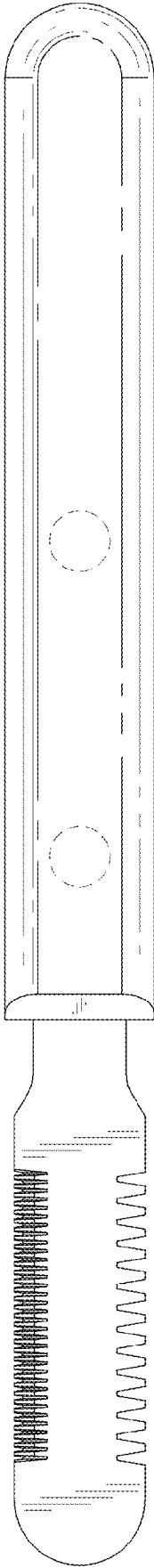


FIG. 16