



US00D846988S

(12) **United States Design Patent**
Paredes et al.

(10) **Patent No.:** **US D846,988 S**

(45) **Date of Patent:** **** Apr. 30, 2019**

(54) **CONTAINER**

(71) Applicant: **Owens-Brockway Glass Container Inc., Perrysburg, OH (US)**

(72) Inventors: **Raul Paredes, Perrysburg, OH (US); Paul Harris, Toledo, OH (US); Douglas Laib, Perrysburg, OH (US); Andrew Birkhoff, Columbus, OH (US); Young Lee, Perrysburg, OH (US); Lara Koenick, Boyds, MD (US)**

(73) Assignee: **Owens-Brockway Glass Container Inc., Perrysburg, OH (US)**

(**) Term: **15 Years**

(21) Appl. No.: **29/629,629**

(22) Filed: **Dec. 14, 2017**

(51) **LOC (11) Cl.** **09-01**

(52) **U.S. Cl.**
USPC **D9/500**

(58) **Field of Classification Search**

USPC D9/500, 503-505, 516, 530, 537,
D9/539-540, 544-545, 549, 558, 715,
D9/719
CPC B65D 1/00; B65D 1/02; B65D 1/0223;
B65D 23/00; B65D 81/00; B65D
2501/00; B65D 2501/0009

See application file for complete search history.

(56) **References Cited**

U.S. PATENT DOCUMENTS

D10,716 S * 6/1878 Hood D9/545
D216,585 S * 2/1970 Doblin D9/505
6,308,846 B1 * 10/2001 Muller B65D 81/3841
215/13.1
D506,135 S * 6/2005 Breier D9/500
D522,366 S 6/2006 Scott

D530,207 S * 10/2006 Brandt D9/500
D530,214 S 10/2006 Scott
D576,040 S * 9/2008 Martins, Jr. D9/502
D622,603 S * 8/2010 Potts D9/500
D668,960 S * 10/2012 Renieris D9/544
D687,302 S 8/2013 Reynolds
D691,479 S * 10/2013 Bea D9/447
D692,761 S 11/2013 Staley
D697,405 S 1/2014 Ahlgren et al.
D713,250 S 9/2014 Perez-Cabrera
D718,137 S * 11/2014 Ahlgren D9/500
D718,139 S * 11/2014 Ahlgren D9/503
D761,655 S * 7/2016 Chung D9/500
D766,092 S 9/2016 Maillet et al.
D799,966 S * 10/2017 Kang D9/500
D828,175 S * 9/2018 Furneaux D9/544

* cited by examiner

Primary Examiner — Dana Meyrow

(57) **CLAIM**

We claim the ornamental design for a container, as shown and described.

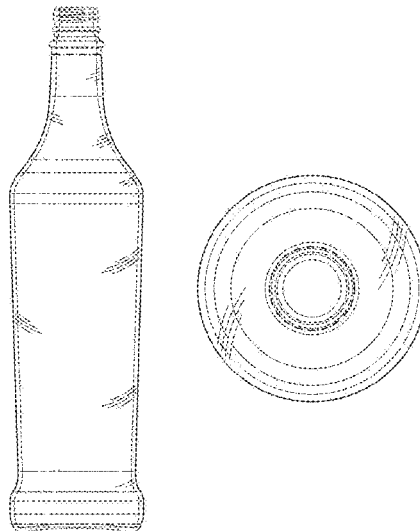
DESCRIPTION

FIG. 1 is a perspective view of a container in accordance with an illustrative embodiment of our new claimed design. FIG. 2 is a front view of the container in FIG. 1, the rear and side views of the claimed design being identical to the front view of FIG. 2.

FIG. 3 is an enlarged top view of the container in FIG. 1; and, FIG. 4 is an enlarged bottom view of the container in FIG. 1.

Dash-dash-dash broken lines shown in the drawings represent subject matter that is not part of the claimed design. Dash-dot-dash broken lines shown in the drawings represent boundaries of the claimed design and are not part of the claimed design.

1 Claim, 2 Drawing Sheets



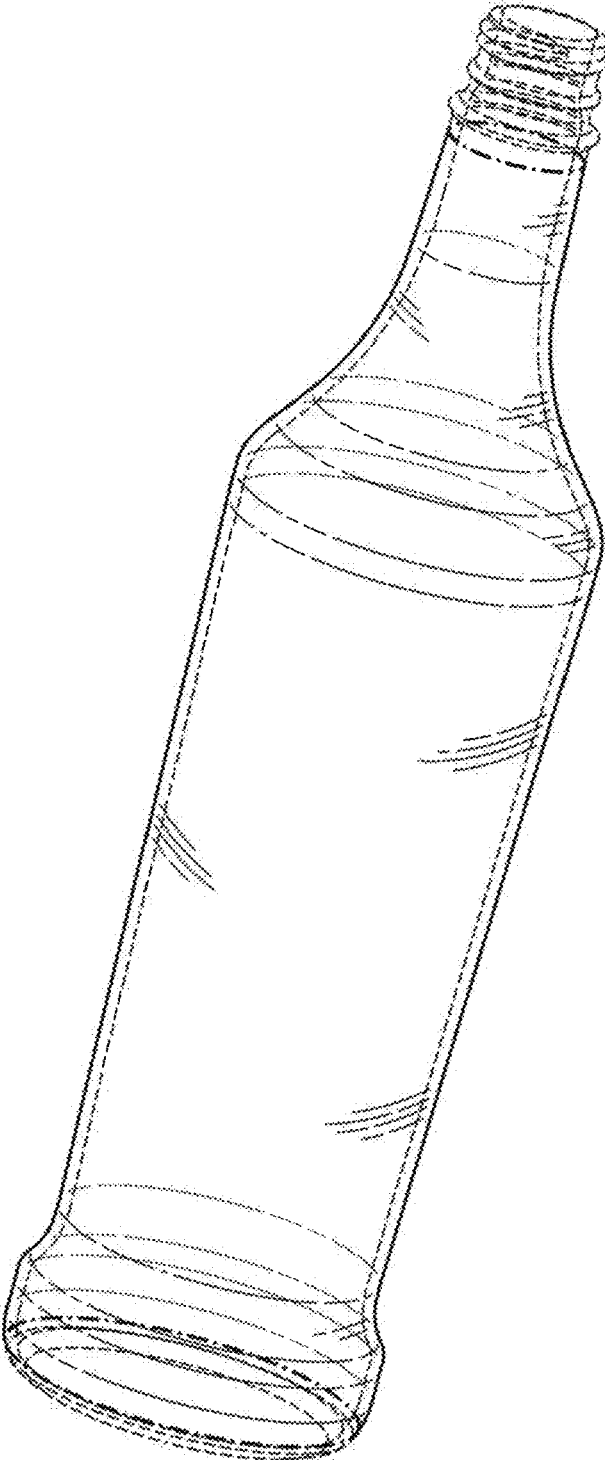


FIG. 1

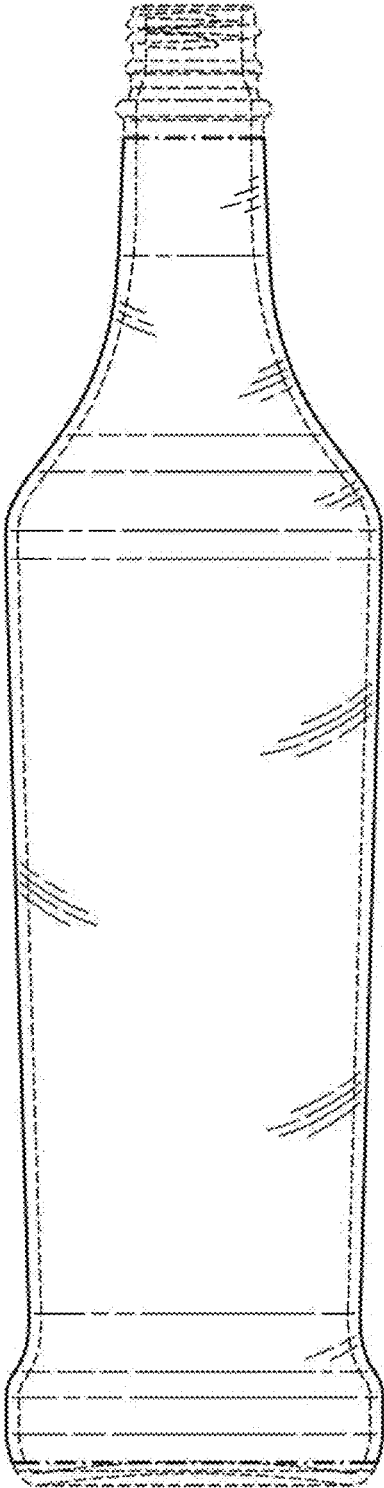


FIG. 2

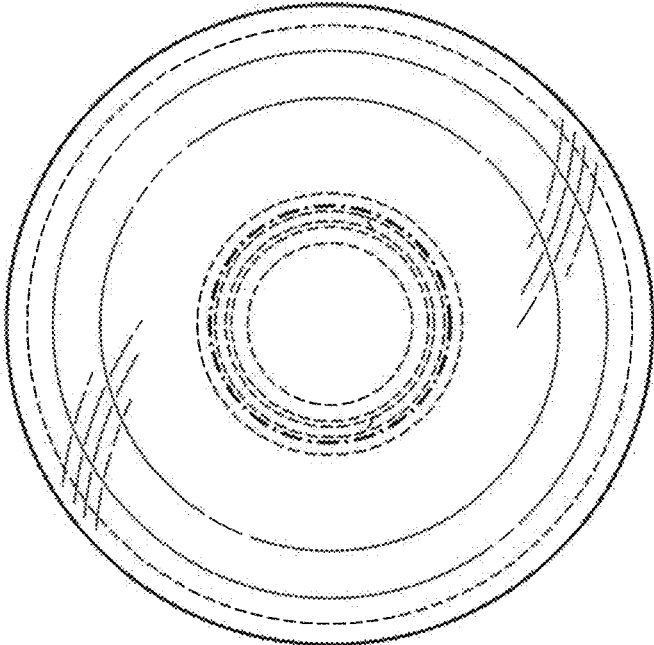


FIG. 3

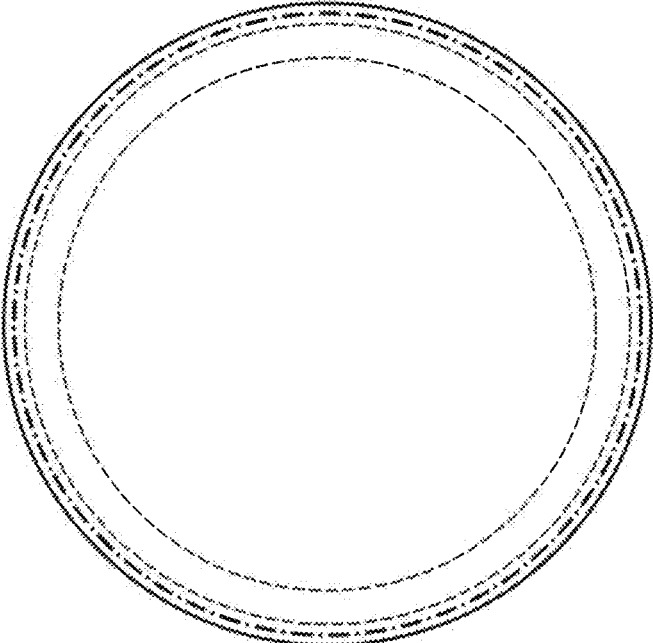


FIG. 4