



US00D661173S

(12) **United States Design Patent**  
**Caffin et al.**

(10) **Patent No.:** **US D661,173 S**

(45) **Date of Patent:** **\*\* Jun. 5, 2012**

(54) **HINGE**  
(75) Inventors: **Bartholomew Jeremy Caffin**, North Manly (AU); **Filip Tejszerski**, Mosman (AU)  
(73) Assignee: **D&D Group Pty Ltd.**, Frenchs Forest, NSW (AU)

(\*\*) Term: **14 Years**  
(21) Appl. No.: **29/384,919**  
(22) Filed: **Feb. 4, 2011**

(51) **LOC (9) Cl.** ..... **08-06**  
(52) **U.S. Cl.** ..... **D8/323**  
(58) **Field of Classification Search** ..... D8/323, D8/327, 328, 329, 330, 336, 353; D23/303; 4/236, 240; 16/225, 250, 682, 309, 235, 16/275, 244, 379, 390, 430, 241, 238, 245, 16/236, 243, 242, 385

See application file for complete search history.

(56) **References Cited**

**U.S. PATENT DOCUMENTS**

17,354 A	5/1857	Smith	
29,212 A	7/1860	Acker	
137,951 A	4/1873	Palmer	
RE5,932 E	6/1874	Acker	
204,267 A	5/1878	Unger	
329,032 A	10/1885	Falls	
391,433 A	10/1888	Stover	
631,797 A	8/1899	Krause	
D32,818 S	6/1900	Greenawalt	
754,690 A	3/1904	Pelzer	
776,153 A	11/1904	Swacick	
887,548 A	5/1908	Trumble	
926,520 A	6/1909	Thornton et al.	
971,281 A	9/1910	Keene et al.	
1,185,503 A	5/1916	Harsh	
1,530,341 A	3/1925	Bannoachie	
1,538,056 A	5/1925	Olson	
1,586,615 A	6/1926	Elliott	
1,789,775 A	1/1931	Russ et al.	
1,832,902 A *	11/1931	Holbrook	16/392
1,883,506 A	10/1932	Bommer	
1,892,584 A	12/1932	Olson	
1,958,940 A	5/1934	Cavanaugh et al.	
2,058,163 A	10/1936	Malone	
2,203,197 A	6/1940	Henry	

2,218,183 A	10/1940	Springer	
2,219,186 A	10/1940	Hornfeck	
2,288,688 A	7/1942	Dubilier	
2,313,712 A	3/1943	Jacobi	
D139,227 S *	10/1944	Greiling	D8/323
2,370,691 A	3/1945	Schlage	

(Continued)

**FOREIGN PATENT DOCUMENTS**

AU 29217-30 9/1931

(Continued)

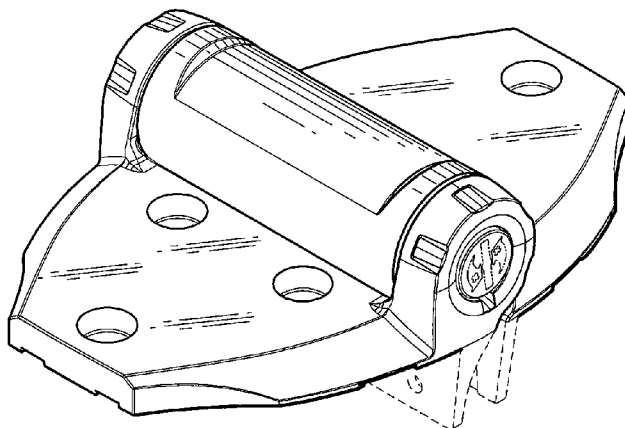
*Primary Examiner* — Cynthia Underwood  
(74) *Attorney, Agent, or Firm* — Fulwider Patton LLP

(57) **CLAIM**  
The ornamental design for a hinge, as shown and described.

**DESCRIPTION**

FIG. 1 is a front elevation view showing a first embodiment of our new design;  
FIG. 2 is a rear elevation view of a first embodiment of our new design;  
FIG. 3 is a front view thereof;  
FIG. 4 is left side view thereof;  
FIG. 5 is a right side view thereof;  
FIG. 6 is a rear view thereof;  
FIG. 7 is a top end view thereof;  
FIG. 8 is a bottom end view thereof;  
FIG. 9 is a front elevation view of a second embodiment of our new design;  
FIG. 10 is a rear elevation view of a second embodiment of our new design;  
FIG. 11 is a front view thereof;  
FIG. 12 is a left side view thereof;  
FIG. 13 is a right side view thereof;  
FIG. 14 is a rear view thereof;  
FIG. 15 is a top end view thereof; and,  
FIG. 16 is a bottom end view thereof.  
The broken lines showing details in the Figures are included for the purpose of showing environmental context of the design, and form no part of the claimed design.

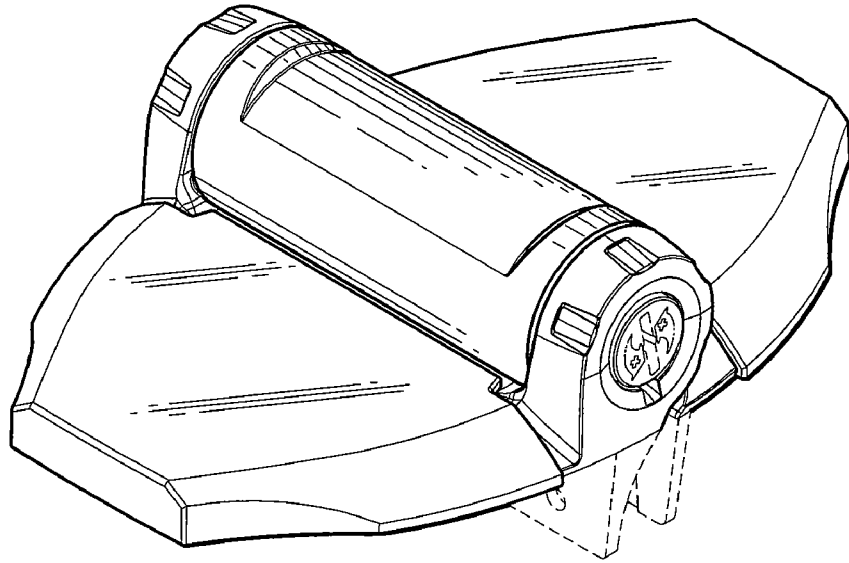
**1 Claim, 8 Drawing Sheets**



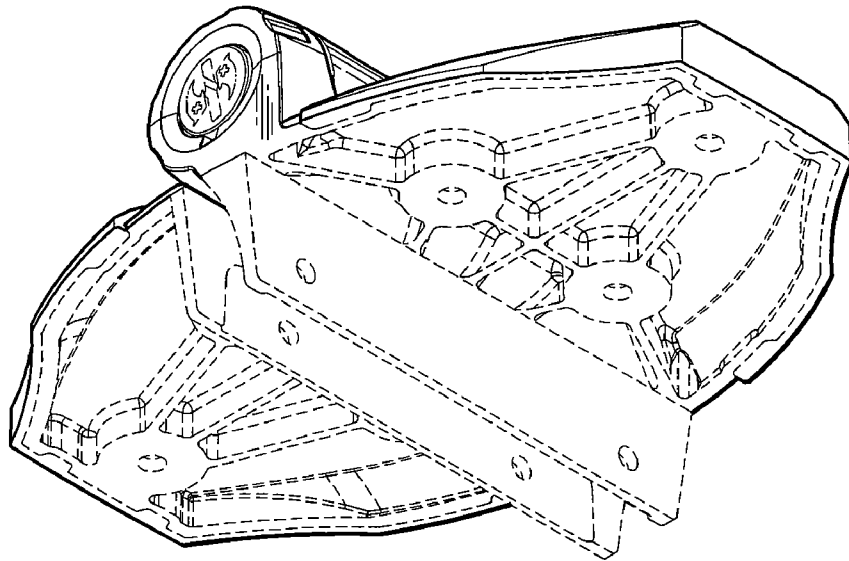
# US D661,173 S

U.S. PATENT DOCUMENTS			FOREIGN PATENT DOCUMENTS		
2,514,927 A	7/1950	Bernhard	D342,952 S	1/1994	Yoder
2,586,900 A	2/1952	Alderman	5,356,095 A	10/1994	Aker
2,597,174 A	5/1952	Patton et al.	5,358,292 A	10/1994	Van Wiebe et al.
2,615,744 A	10/1952	Colonna	5,362,116 A	11/1994	Doyle et al.
2,690,349 A	9/1954	Teetor	5,526,659 A	6/1996	Takimoto
2,726,891 A	12/1955	Gresham et al.	D371,503 S	7/1996	Nakano
2,767,007 A	10/1956	Burke	5,572,768 A	11/1996	Daul
2,797,655 A	7/1957	Morehouse	D376,971 S *	12/1996	Schutz ..... D8/327
2,839,912 A	6/1958	Corbin et al.	5,584,100 A	12/1996	Doyle et al.
D183,261 S *	7/1958	Mink ..... D8/327	5,655,801 A	8/1997	Casey
2,942,907 A	6/1960	Nagel et al.	D385,475 S *	10/1997	Bolinas et al. .... D8/328
2,953,916 A	9/1960	Thomas	5,715,574 A	2/1998	Schall
2,988,389 A	6/1961	Wilson	D401,134 S *	11/1998	Finkelstein ..... D8/329
3,040,555 A	6/1962	Wartian	5,876,073 A	3/1999	Geringer et al.
3,046,776 A	7/1962	Marotto et al.	6,058,747 A	5/2000	Doyle et al.
3,098,258 A	7/1963	Ruiz	D436,515 S *	1/2001	Sonntag ..... D8/328
3,107,113 A	10/1963	Sconzo	6,174,005 B1	1/2001	Norton
3,111,021 A	11/1963	Patriquin et al.	D443,196 S	6/2001	Sosa
3,115,026 A	12/1963	Moore et al.	6,264,255 B1	7/2001	Fortune
3,161,036 A	12/1964	Himes	6,327,879 B1	12/2001	Malsom
3,273,925 A	9/1966	Graham	6,347,819 B1	2/2002	Plaxco
3,314,707 A	4/1967	Van Donselaar	6,364,383 B1	4/2002	Shen
3,316,582 A	5/1967	Johnson et al.	D457,113 S	5/2002	Zapushek et al.
3,334,936 A	8/1967	Hekelaar et al.	6,460,220 B1	10/2002	Jackson
3,350,127 A	10/1967	Hekelaar	6,513,351 B2	2/2003	Clark
3,380,109 A	4/1968	Ruiz	D484,389 S	12/2003	Evans
D212,861 S	12/1968	Raymond	6,732,408 B2	5/2004	Wu
3,433,518 A	3/1969	Foltz	6,733,049 B2	5/2004	Piorowski et al.
3,516,701 A	6/1970	Graham	6,733,050 B1	5/2004	Yao
3,538,538 A	11/1970	Field	D495,235 S	8/2004	Burrows
3,591,219 A	7/1971	Graziosi	D502,859 S	3/2005	Peng et al.
3,593,547 A	7/1971	Taylor	6,869,115 B2	3/2005	Shen
3,677,591 A	7/1972	Waldo	6,898,953 B1	5/2005	Paprocki et al.
3,691,799 A	9/1972	Hoffmann et al.	6,905,152 B1	6/2005	Hudson
3,705,505 A	12/1972	Landow et al.	7,044,511 B2	5/2006	Kliefoth et al.
3,778,866 A	12/1973	Nakanishi	D533,433 S *	12/2006	Loggen ..... D8/329
3,785,186 A	1/1974	James et al.	7,201,030 B2	4/2007	Timothy
3,794,366 A	2/1974	Graham	D543,830 S	6/2007	Frank et al.
3,825,973 A	7/1974	Gwozdz	7,240,400 B2	7/2007	Bonham
3,881,331 A	5/1975	Tranberg et al.	D548,044 S	8/2007	Tang
3,890,813 A	6/1975	Cothron	D550,061 S	9/2007	Tang
3,903,567 A	9/1975	Suska	D552,448 S	10/2007	Tang
3,965,533 A	6/1976	Frohlich	7,296,448 B1	11/2007	Shaw
3,978,551 A	9/1976	Mochizuki	D557,586 S	12/2007	Shire et al.
4,014,192 A	3/1977	Dillon et al.	D565,386 S *	4/2008	Bladen et al. .... D8/323
4,025,095 A	5/1977	Hausladen	D595,569 S	7/2009	Darling, III
4,069,545 A	1/1978	Holet et al.	D601,403 S	10/2009	Cosby et al.
4,073,038 A	2/1978	Curry et al.	D605,493 S	12/2009	Tejszerski
4,073,520 A	2/1978	Tsuchiya et al.	D621,683 S *	8/2010	Mullenix ..... D8/323
4,118,055 A	10/1978	Bischoff, Jr.	D622,576 S *	8/2010	Farkas et al. .... D8/328
4,339,845 A	7/1982	Newlon et al.	D635,433 S *	4/2011	Le ..... D8/327
4,378,684 A	4/1983	Dugan et al.	2004/0093689 A1	5/2004	Sosa et al.
4,414,828 A	11/1983	Takinami et al.	2007/0007773 A1	1/2007	Berkseth et al.
4,583,262 A	4/1986	Werner	2008/0016923 A1	1/2008	Zheng
4,691,541 A	9/1987	McQuade, Sr. et al.			
4,732,418 A	3/1988	Crown et al.			
4,751,765 A	6/1988	Wu	AU	138996	4/1948
4,817,242 A	4/1989	Rapp	AU	245874	5/1963
D301,116 S	5/1989	Foshee et al.	DE	1961736	6/1971
4,838,053 A	6/1989	Shen	DE	3205224	8/1983
4,848,812 A	7/1989	Slaughter	DE	3313220	10/1984
4,919,463 A	4/1990	McQuade	DE	3605826	8/1987
4,921,289 A	5/1990	Shen	FR	1180547	6/1959
4,938,508 A	7/1990	Thomas	FR	2405347	5/1979
4,962,567 A	10/1990	Dixon	GB	693564	7/1953
5,018,920 A	5/1991	Speakman	GB	759211	10/1956
5,024,473 A	6/1991	McQuade	GB	1108996	4/1968
5,029,912 A	7/1991	Gotanda	GB	1382227	1/1975
5,031,270 A	7/1991	Lee	GB	2006892	5/1990
5,063,764 A	11/1991	Amis et al.	GB	2010086	10/1990
5,103,658 A	4/1992	McQuade	JP	1-198983	8/1989
5,149,155 A	9/1992	Caeti et al.	JP	3-172482	7/1991
5,177,987 A	1/1993	Shen	JP	3212589	9/1991
D335,718 S	5/1993	Maglica et al.	JP	8210001	8/1996
5,265,924 A	11/1993	Kim	WO	92/03631	3/1992

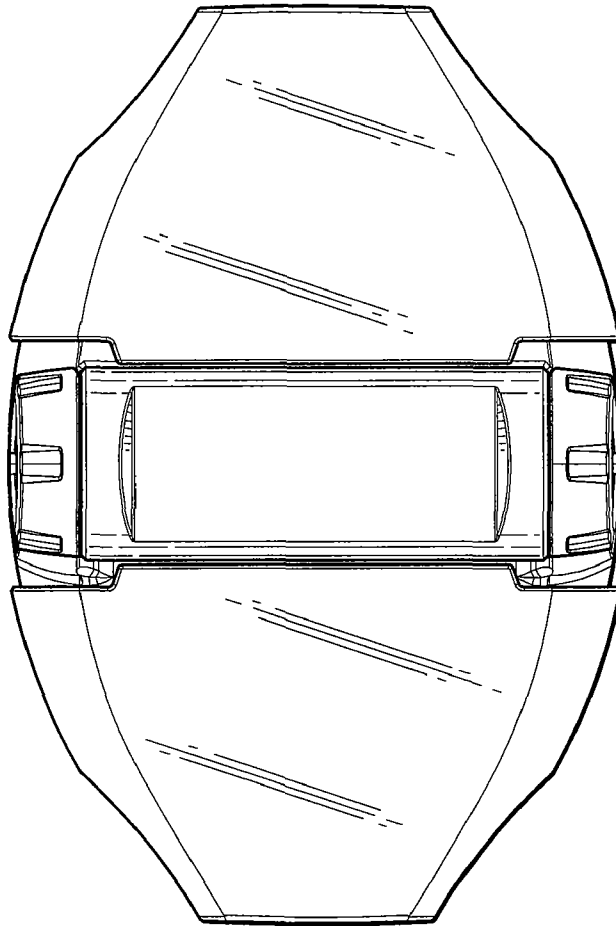
\* cited by examiner



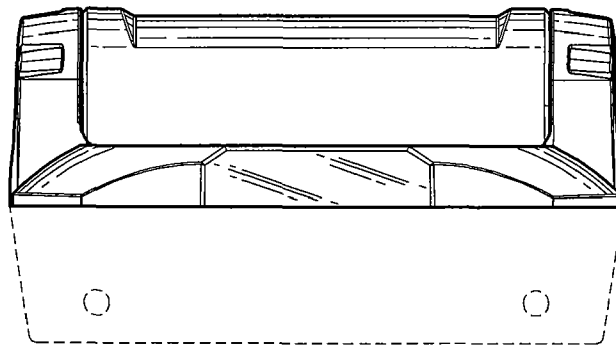
**FIG. 1**



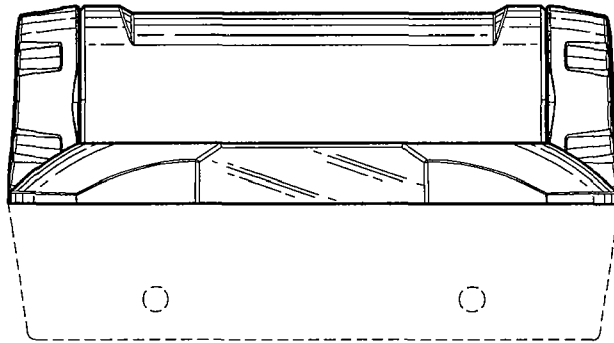
**FIG. 2**



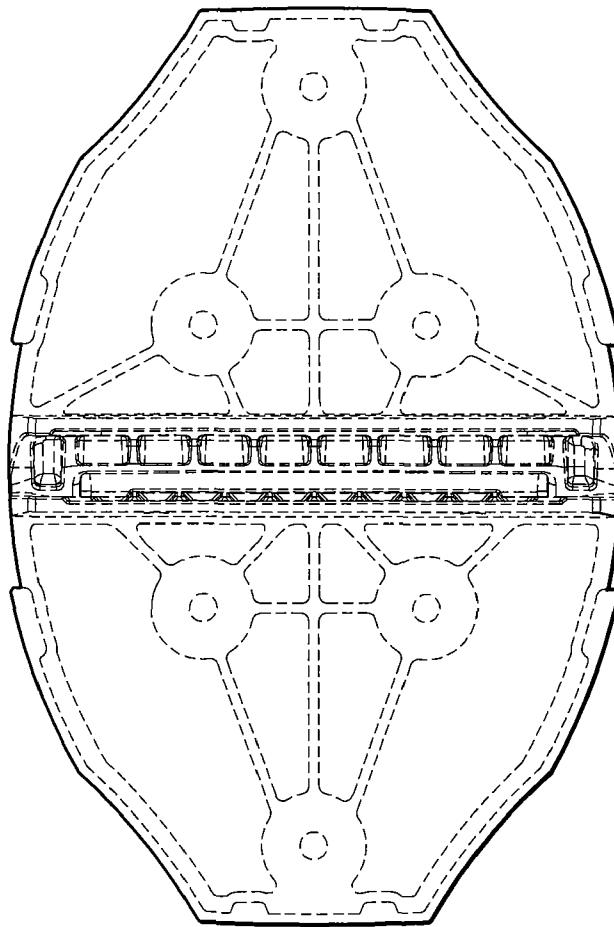
**FIG. 3**



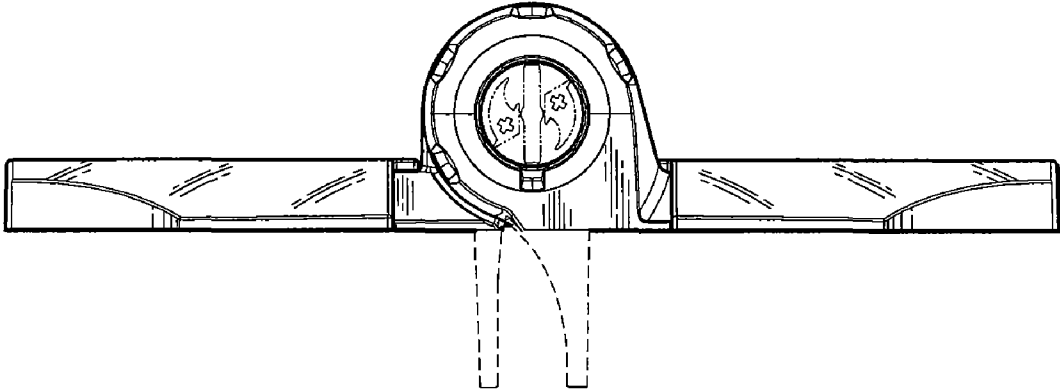
**FIG. 4**



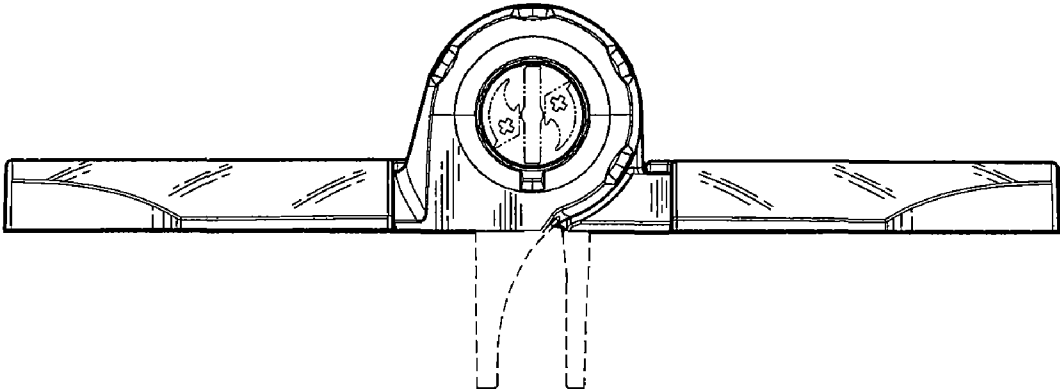
**FIG. 5**



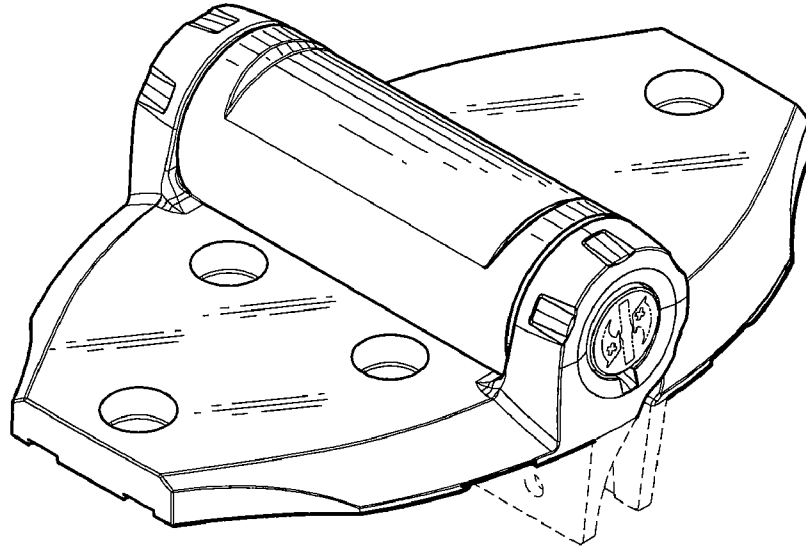
**FIG. 6**



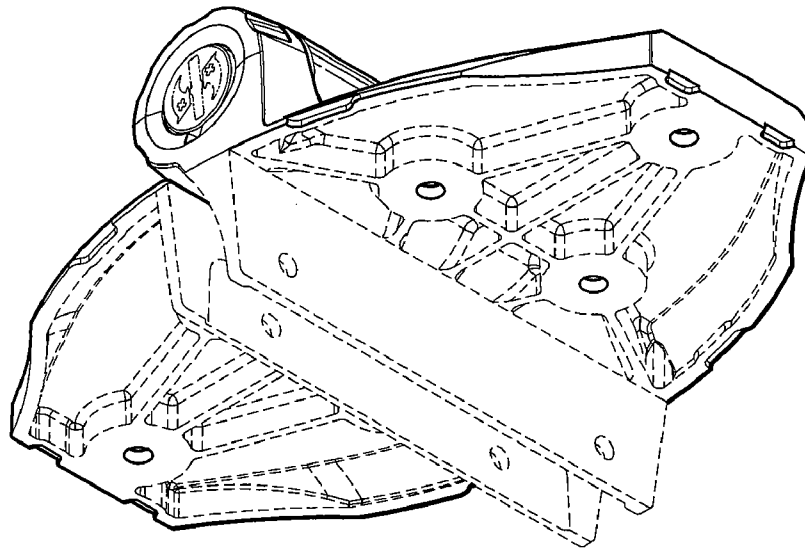
**FIG. 7**



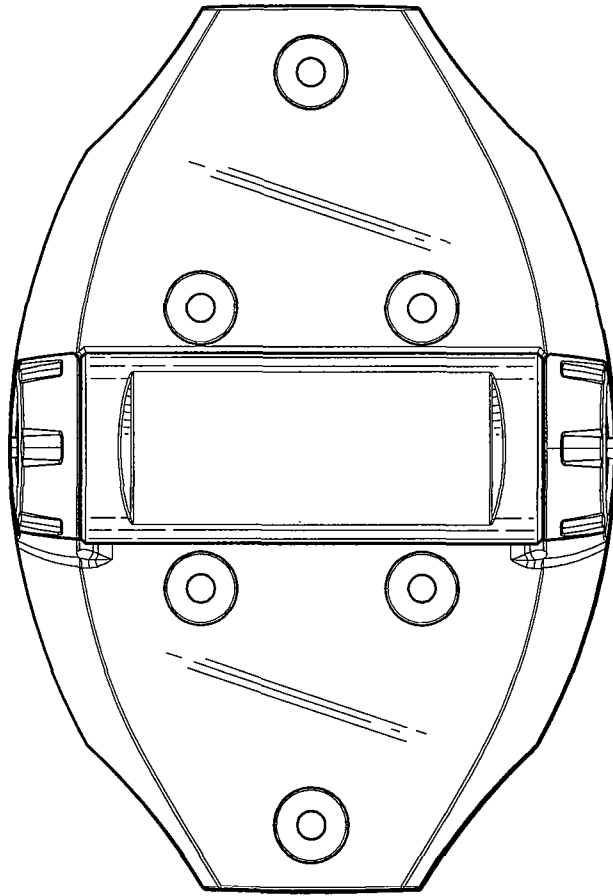
**FIG. 8**



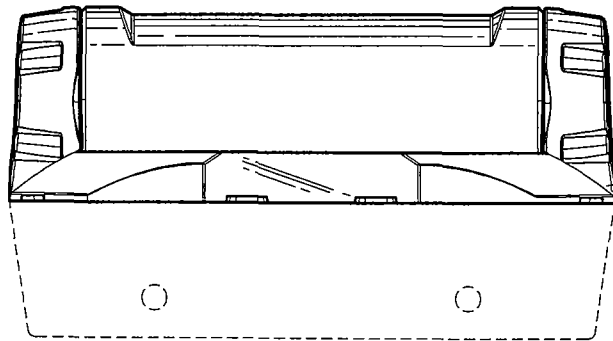
**FIG. 9**



**FIG. 10**

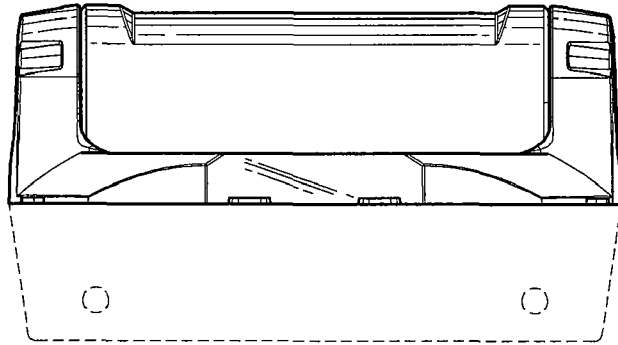


**FIG. 11**

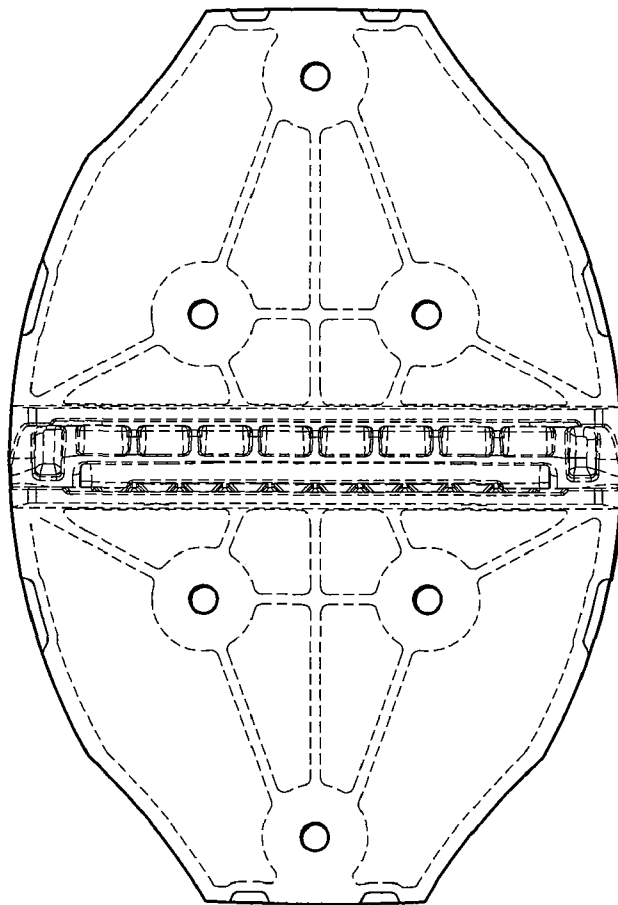


**FIG. 12**

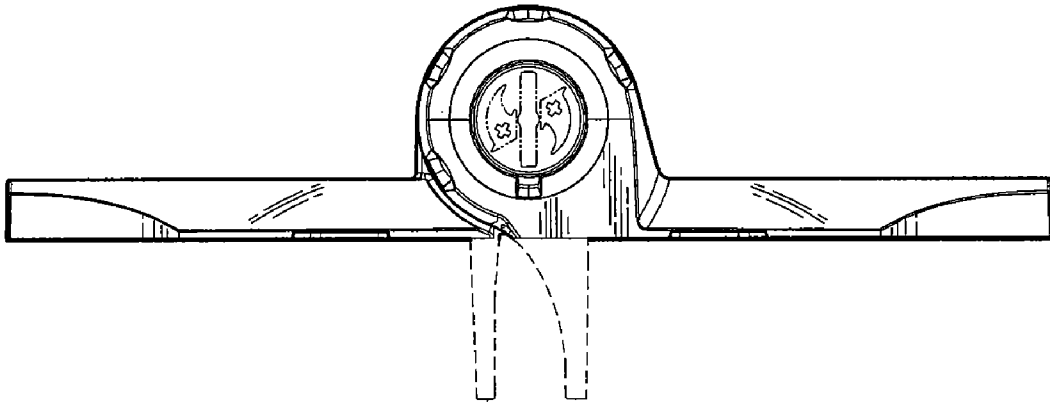




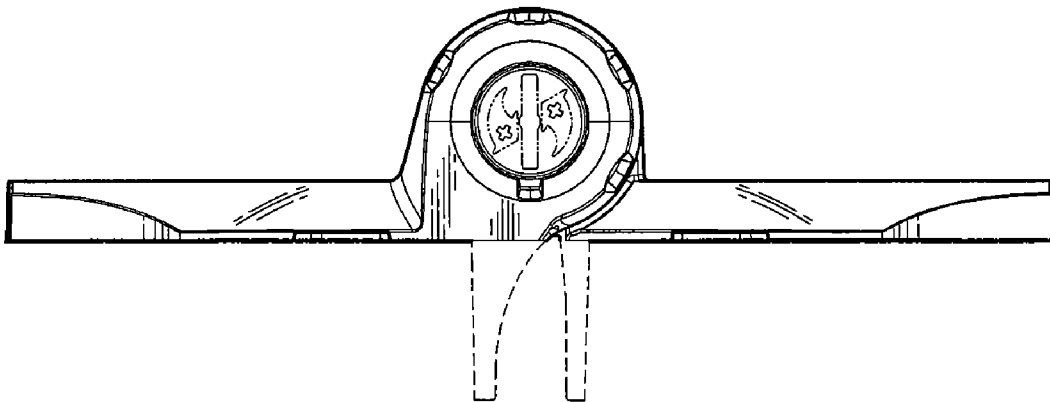
**FIG. 13**



**FIG. 14**



**FIG. 15**



**FIG. 16**