



(12) **United States Design Patent**  
**Zhang**

(10) **Patent No.:** **US D998,076 S**  
(45) **Date of Patent:** **\*\* Sep. 5, 2023**

- (54) **CHILDREN'S PLAY GYM**
- (71) Applicant: **QITELE GROUP CO., LTD.**,  
Wenzhou (CN)
- (72) Inventor: **Jinfei Zhang**, Wenzhou (CN)
- (73) Assignee: **QITELE GROUP CO., LTD.**,  
Wenzhou (CN)
- (\*\*) Term: **15 Years**
- (21) Appl. No.: **29/771,673**
- (22) Filed: **Feb. 24, 2021**
- (51) **LOC (14) Cl.** ..... **21-03**
- (52) **U.S. Cl.**  
USPC ..... **D21/814**
- (58) **Field of Classification Search**  
USPC ..... D21/814, 826, 519, 530, 398, 412, 421,  
D21/474, 475, 494, 501, 502, 504, 505,  
D21/511  
CPC ..... A63B 9/00; A63B 7/04; A63B 69/0048;  
A63B 2225/09; A63H 33/00; A63H  
33/40; A63H 33/22; A63H 5/00  
See application file for complete search history.

5,387,165	A *	2/1995	Warren	.....	A63B 9/00	119/702
5,540,636	A *	7/1996	Hellen	.....	A63B 9/00	482/35
D381,386	S *	7/1997	Strawcutter	.....	D21/826	
5,690,584	A *	11/1997	Strawcutter	.....	A63B 9/00	482/35
5,692,993	A *	12/1997	Dunn, Jr.	.....	A63B 9/00	482/35
D389,550	S *	1/1998	Williams	.....	D21/826	
5,893,819	A *	4/1999	Dunn, Jr.	.....	A63B 9/00	D21/826
2008/0289085	A1 *	11/2008	Bryant	.....	A42B 3/328	2/421

(Continued)

*Primary Examiner* — Khawaja Anwar  
*Assistant Examiner* — Julice Seung Eun Oum  
(74) *Attorney, Agent, or Firm* — Christensen, Fonder,  
Dardi & Herbert PLLC

(57) **CLAIM**

The ornamental design for a children's play gym, as shown and described.

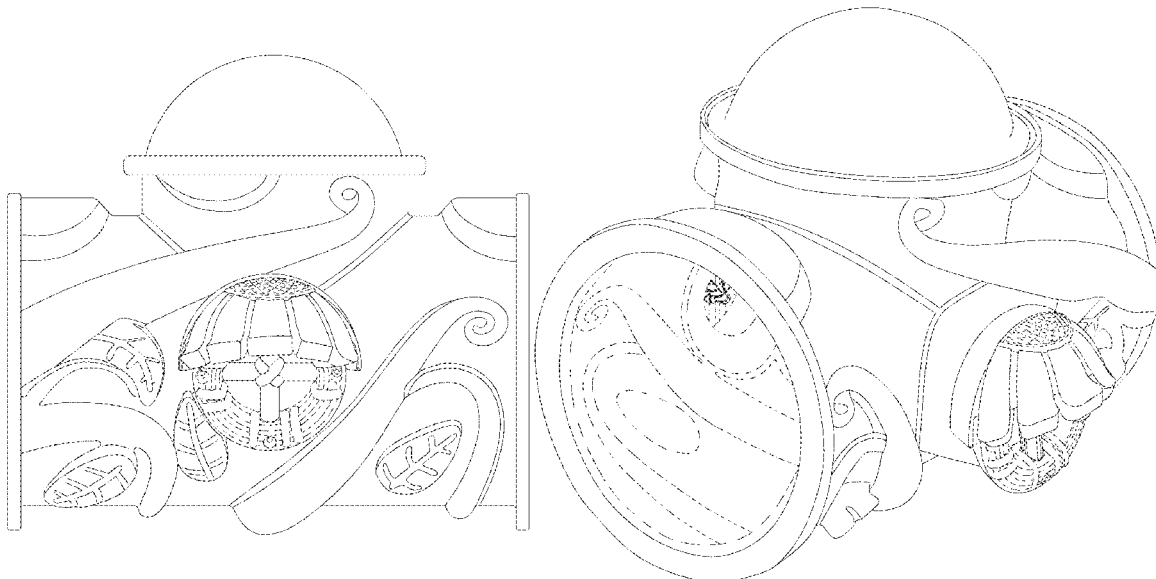
**DESCRIPTION**

FIG. 1 is a front view of a children's play gym;  
FIG. 2 is a rear view of the children's play gym of FIG. 1;  
FIG. 3 is a left-side view of the children's play gym of FIG. 1;  
FIG. 4 is a right-side view of the children's play gym of FIG. 1;  
FIG. 5 is a top view of the children's play gym of FIG. 1;  
FIG. 6 is a bottom view of the children's play gym of FIG. 1; and,  
FIG. 7 is a perspective view of the children's play gym of FIG. 1.

The figures include broken lines that are directed to environment and are for illustrative purposes only; the broken lines form no part of the claimed design.

**1 Claim, 7 Drawing Sheets**

- (56) **References Cited**  
U.S. PATENT DOCUMENTS  
1,125,642 A \* 1/1915 Blanchard ..... A62C 31/03  
239/587.5  
1,939,987 A \* 12/1933 Klomparens ..... F16L 27/0841  
403/57  
2,581,047 A \* 1/1952 Salmond ..... F16L 27/0849  
285/184  
3,955,328 A \* 5/1976 Lindsay ..... E04B 1/34846  
52/79.8  
D308,562 S \* 6/1990 Pentes ..... D21/826  
5,205,748 A \* 4/1993 Petersheim ..... A63B 9/00  
434/258



(56)

**References Cited**

U.S. PATENT DOCUMENTS

2018/0029287 A1\* 2/2018 Astle ..... B29C 49/0031

\* cited by examiner

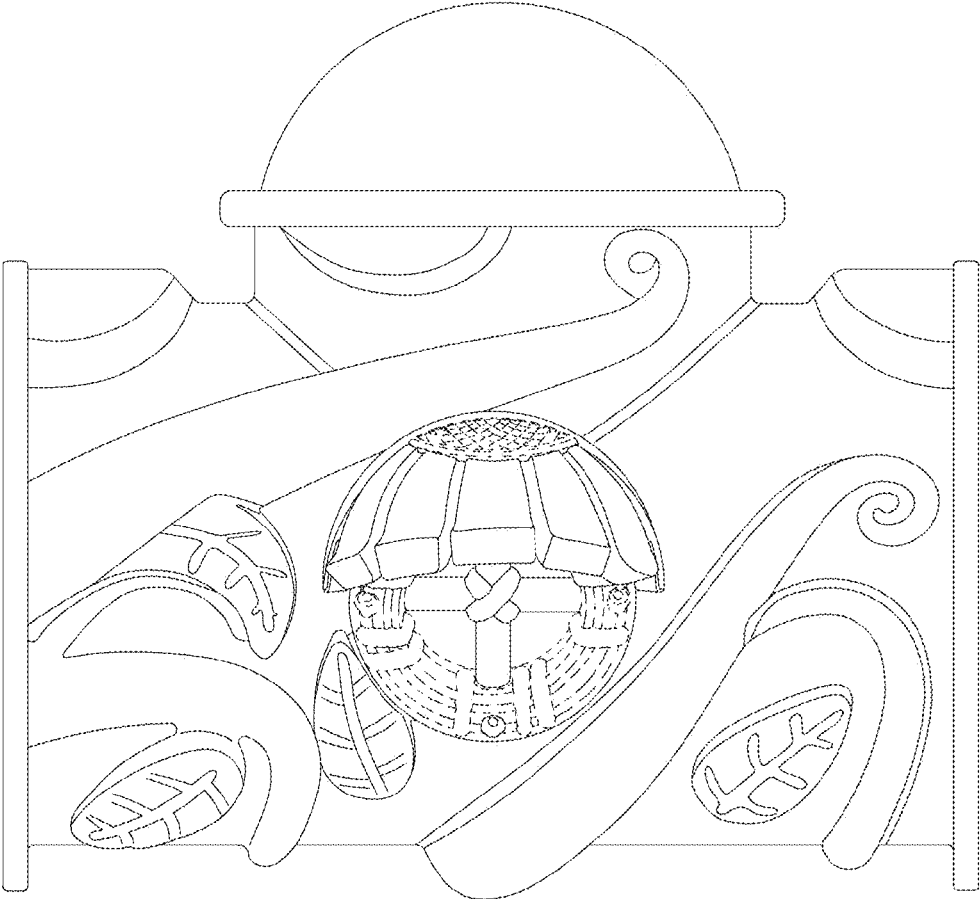


FIG. 1

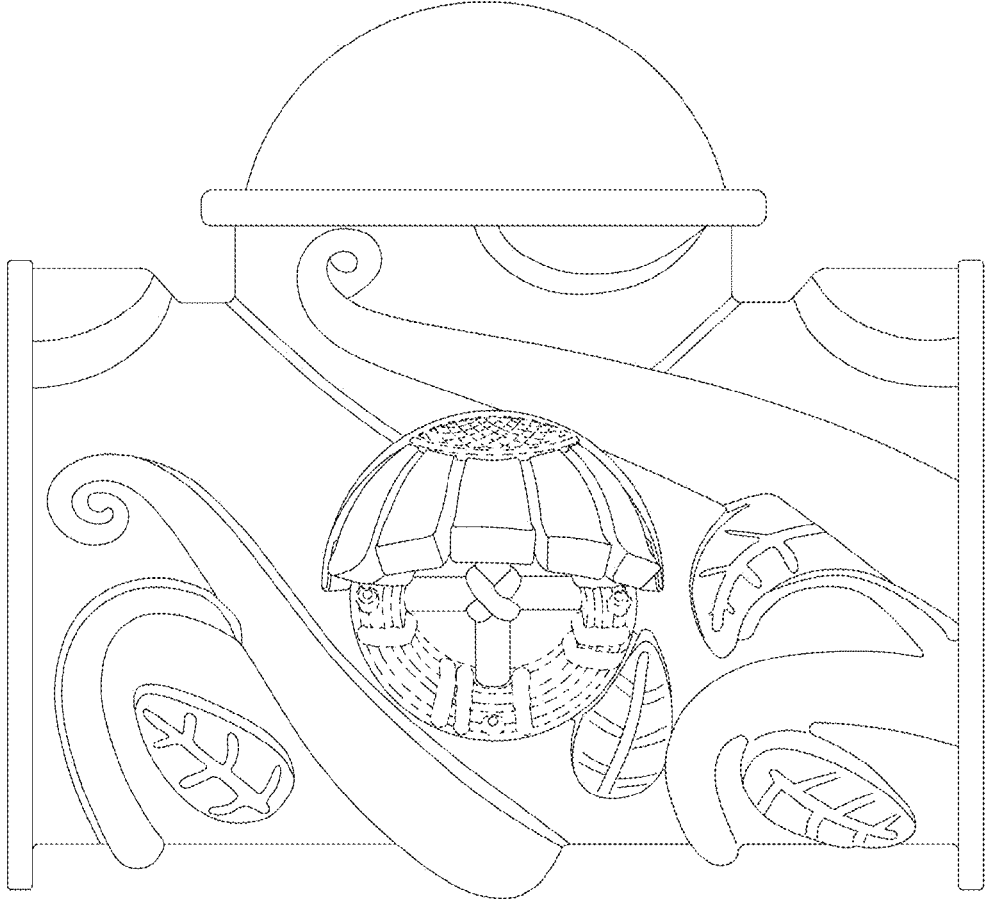


FIG. 2

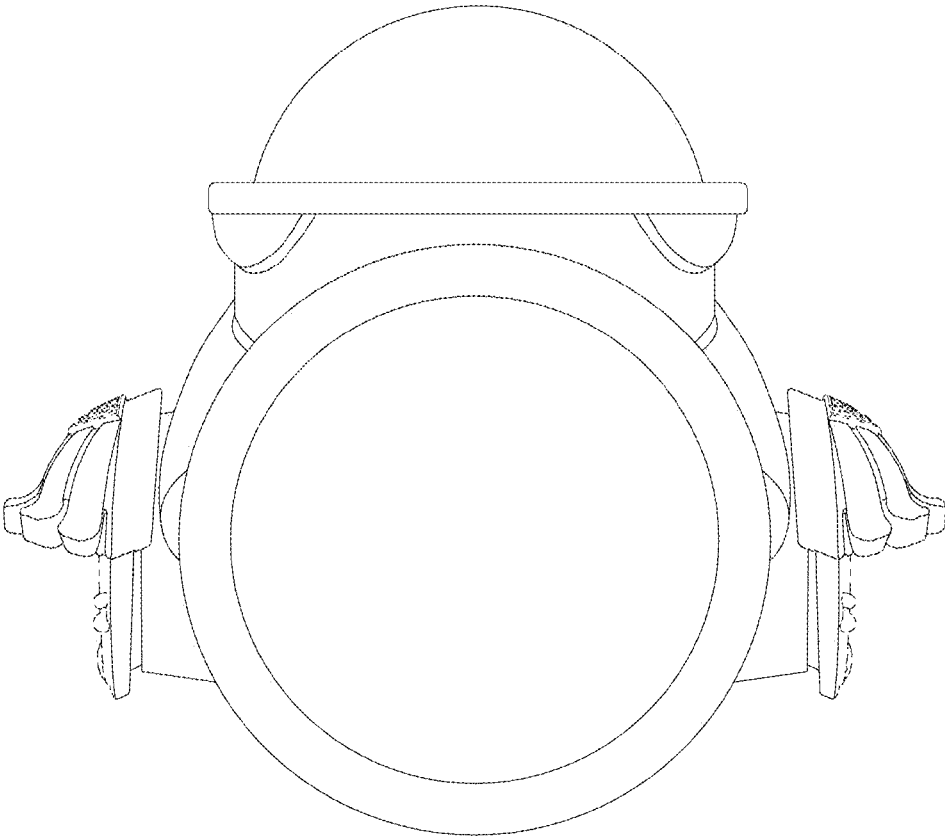


FIG. 3

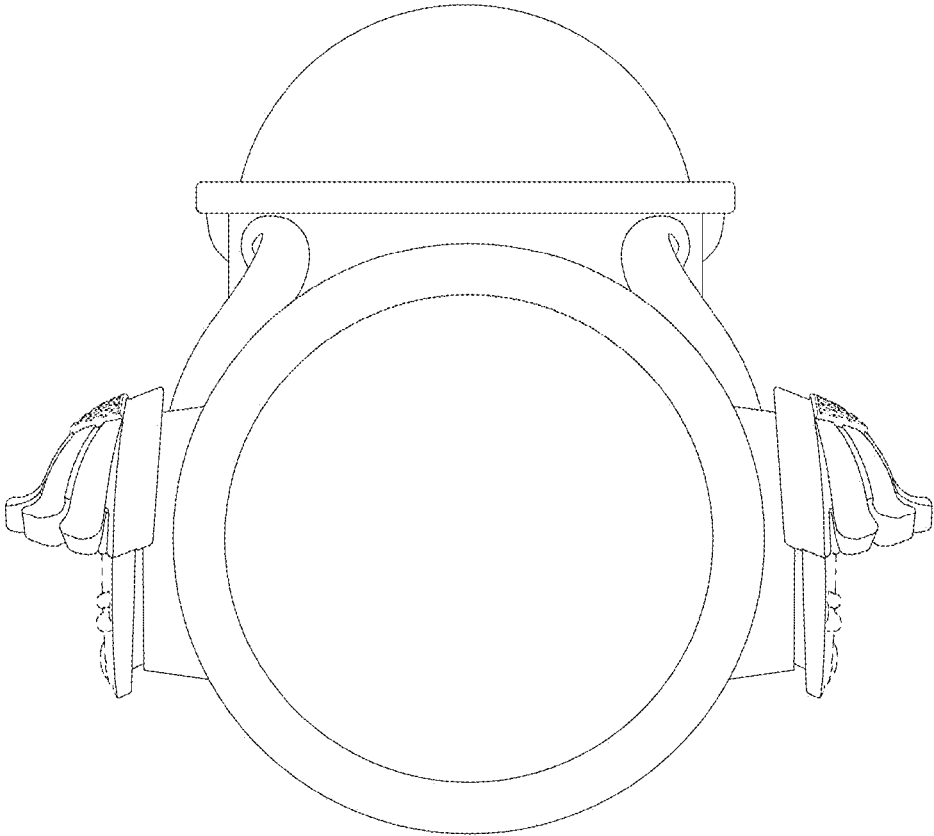


FIG. 4

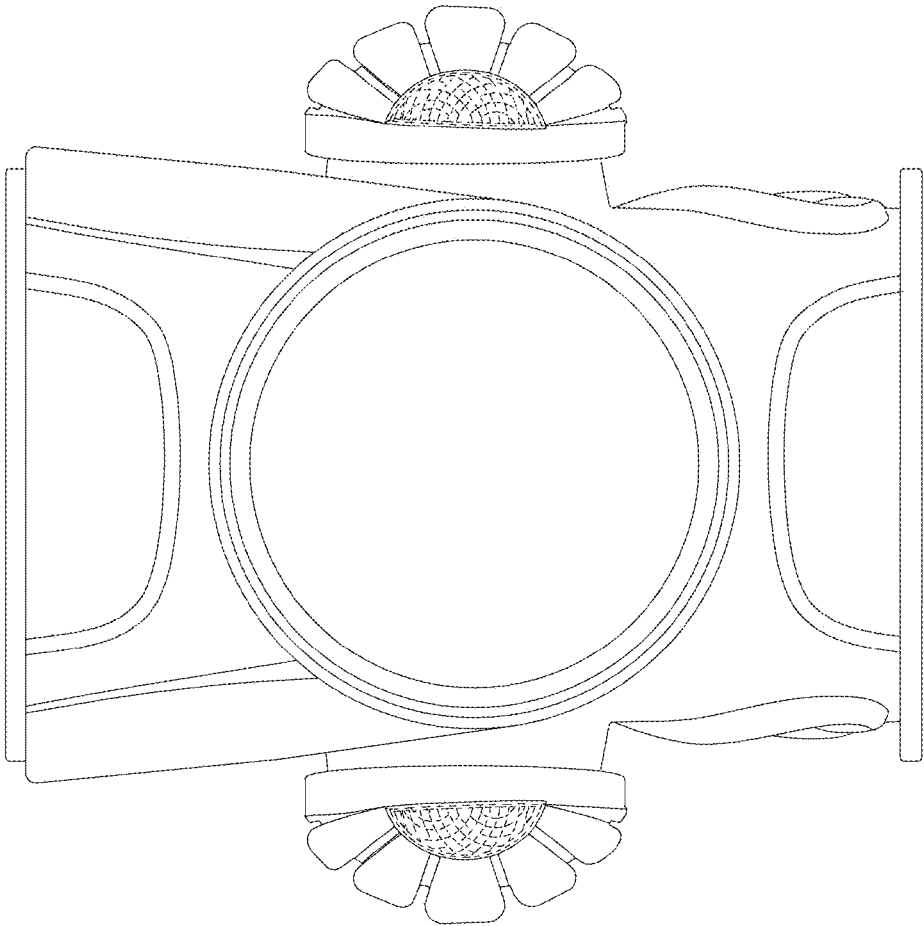


FIG. 5

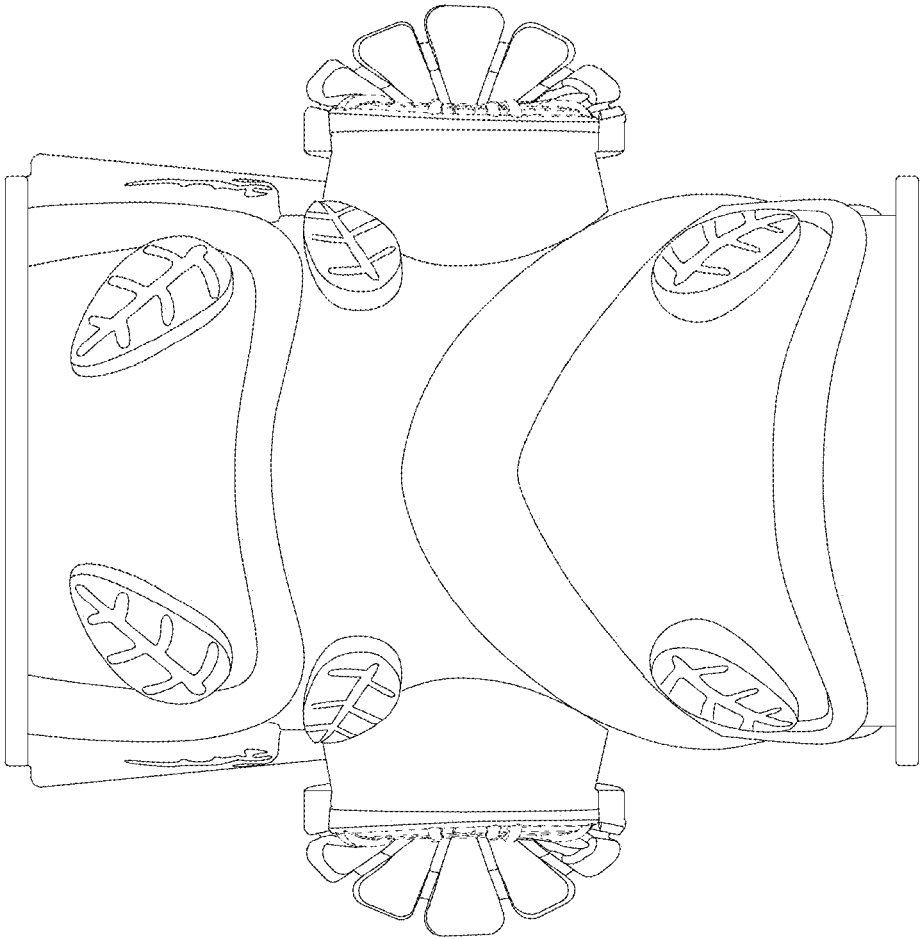


FIG. 6

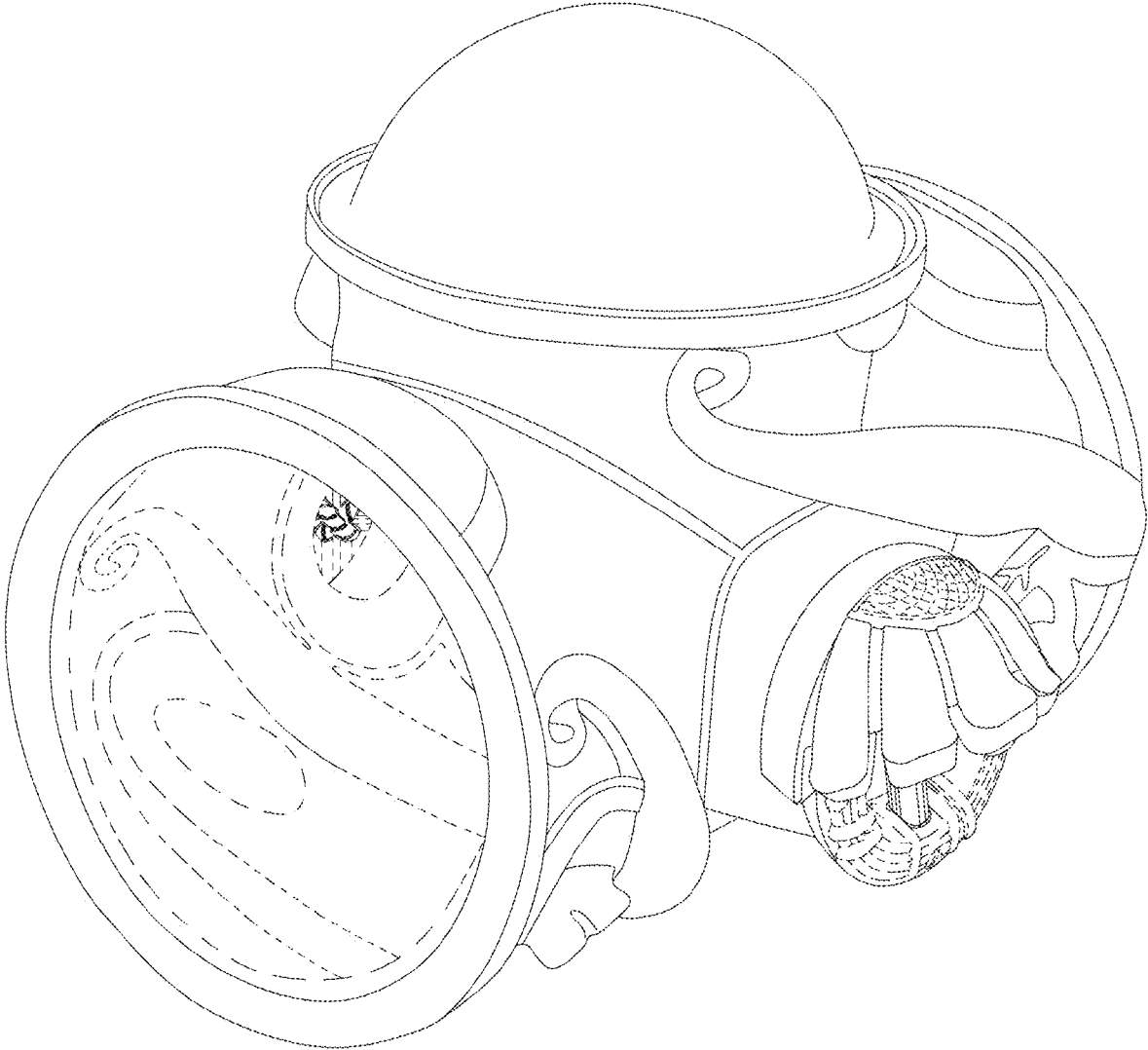


FIG. 7