



US00D747254S

(12) **United States Design Patent**  
**Liu et al.**

(10) **Patent No.:** **US D747,254 S**

(45) **Date of Patent:** **\*\* Jan. 12, 2016**

(54) **WHEEL FOR AUTOMOBILE**  
(71) Applicant: **Honda Motor Co., Ltd.**, Tokyo (JP)  
(72) Inventors: **David S. Liu**, Raymond, OH (US);  
**Parminder S. Rooprai**, Raymond, OH (US)  
(73) Assignee: **Honda Motor Co., Ltd.**, Tokyo (JP)  
(\*\*) Term: **14 Years**

D603,779 S 11/2009 Futschik et al.  
D606,921 S 12/2009 Thorsten  
D649,103 S \* 11/2011 Gallert ..... D12/211  
D695,666 S \* 12/2013 Chung ..... D12/209  
D715,720 S \* 10/2014 Ender ..... D12/211  
D718,203 S \* 11/2014 Whyte ..... D12/209  
D725,569 S \* 3/2015 Komukai ..... D12/209  
D732,449 S \* 6/2015 Grake et al. .... D12/209  
D735,630 S \* 8/2015 Swanseger ..... D12/209  
2008/0211292 A1 \* 9/2008 Gartner ..... 301/65  
2015/0130261 A1 \* 5/2015 Warren ..... 301/64.101

(21) Appl. No.: **29/501,851**  
(22) Filed: **Sep. 9, 2014**  
(51) **LOC (10) Cl.** ..... **12-16**  
(52) **U.S. Cl.**  
USPC ..... **D12/211**  
(58) **Field of Classification Search**  
USPC ..... D12/204-213; 301/37.101, 64.101, 65  
See application file for complete search history.

**FOREIGN PATENT DOCUMENTS**

EM 000547401-0001 8/2006  
WO DM/081028 11/2013

\* cited by examiner

*Primary Examiner* — Ian Simmons  
*Assistant Examiner* — Samantha Q Lawrence  
(74) *Attorney, Agent, or Firm* — Plumsea Law Group, LLC

(57) **CLAIM**  
The ornamental design for a wheel for automobile, as shown and described.

(56) **References Cited**  
**U.S. PATENT DOCUMENTS**  
D478,307 S 8/2003 Maifrini  
D480,347 S \* 10/2003 Nemoto ..... D12/211  
D480,672 S \* 10/2003 Pfeiffer et al. .... D12/209  
D491,872 S 6/2004 Lai  
D503,669 S 4/2005 Bhabra  
D513,487 S \* 1/2006 Wachtler ..... D12/209  
D534,114 S 12/2006 Holstein  
D542,208 S 5/2007 Gallert  
D549,150 S 8/2007 Young

**DESCRIPTION**

FIG. 1 is a front perspective view of a wheel for automobile; and,  
FIG. 2 is a front elevation view thereof.  
The broken lines shown in FIGS. 1 and 2 illustrate portions of the wheel for automobile that form no part of the claimed design.

**1 Claim, 2 Drawing Sheets**

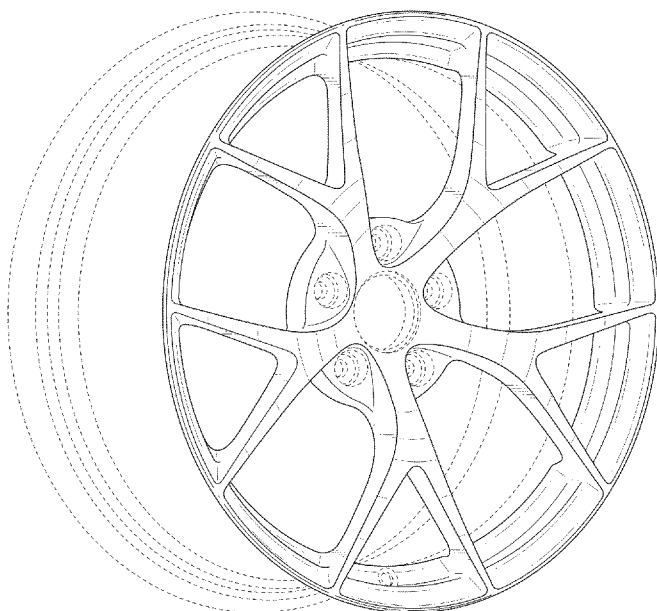


FIG. 1

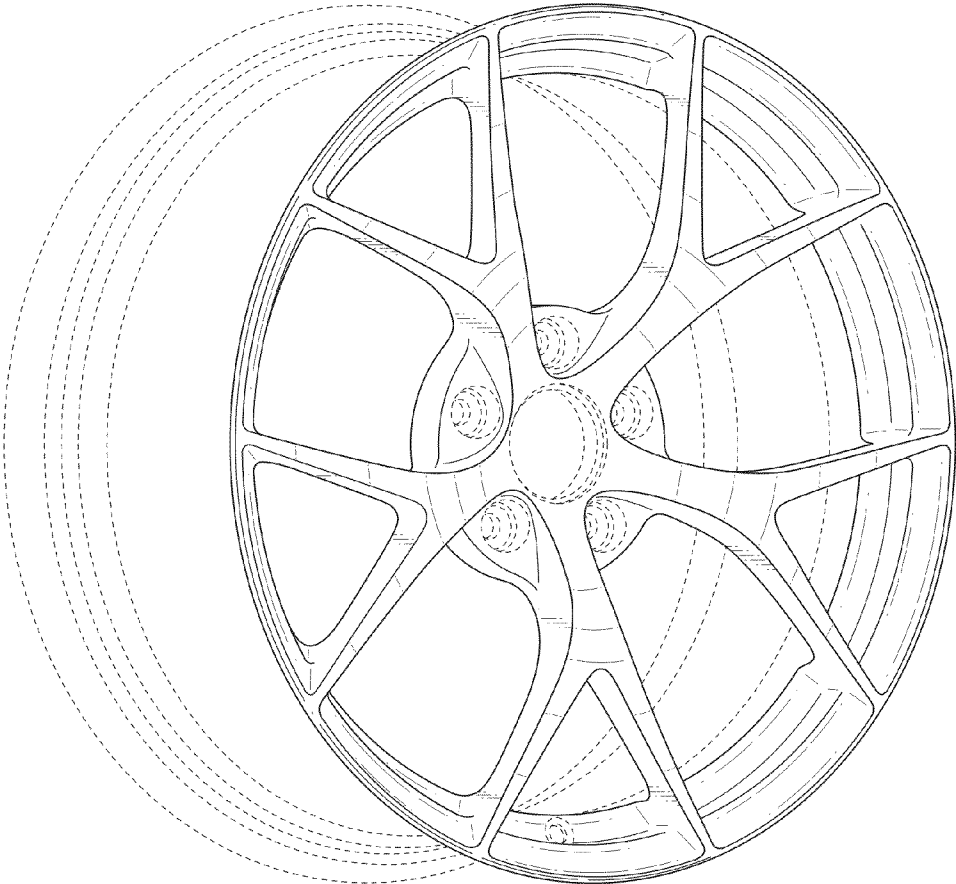


FIG. 2

