



US00D548803S

(12) **United States Design Patent**  
**Zimet**

(10) **Patent No.:** **US D548,803 S**

(45) **Date of Patent:** **\*\* Aug. 14, 2007**

(54) **HELICOPTER**

(75) Inventor: **Nachman Zimet**, 3 Hazor Street, Tel Aviv (IL) 69016

(73) Assignees: **Nachman Zimet**, Tel Aviv (IL); **Avner Divon**, Rosh Haayin (IL)

(\*\*) Term: **14 Years**

(21) Appl. No.: **29/258,805**

(22) Filed: **Apr. 27, 2006**

(51) **LOC (8) Cl.** ..... **21-01**

(52) **U.S. Cl.** ..... **D21/442**

(58) **Field of Classification Search** ..... D21/436-454;  
D12/319-345; 446/34-68, 230, 232; 244/17.11,  
244/17.13, 17.15, 17.17, 17.19, 17.21, 17.23,  
244/17.25, 17.27

See application file for complete search history.

(56) **References Cited**

**U.S. PATENT DOCUMENTS**

D168,652 S *	1/1953	Papadakos	.....	D12/328
3,173,632 A *	3/1965	Woods	.....	244/100 R
3,778,011 A *	12/1973	Cannon	.....	244/137.1
4,114,309 A *	9/1978	Gay	.....	446/232
4,200,252 A *	4/1980	Logan et al.	.....	244/17.19
D284,594 S *	7/1986	Fisher	.....	D21/442

D361,054 S *	8/1995	McCaw	.....	D12/327
5,836,545 A *	11/1998	Arlton et al.	.....	244/60
D467,861 S *	12/2002	Lee	.....	D12/326
6,732,973 B1 *	5/2004	Rehkemper	.....	244/17.11
D503,198 S *	3/2005	Rehkemper et al.	.....	D21/442
D524,718 S *	7/2006	Scott et al.	.....	D12/327

\* cited by examiner

*Primary Examiner*—Catherine Tuttle

(74) *Attorney, Agent, or Firm*—Cohen Pontani Lieberman & Pavane LLP

(57) **CLAIM**

The ornamental design for a helicopter, as shown and described.

**DESCRIPTION**

FIG. 1 is a perspective view of the helicopter;  
FIG. 2 is a left side view of the helicopter;  
FIG. 3 is a right side view of the helicopter;  
FIG. 4 is a front view of the helicopter;  
FIG. 5 is a rear view of the helicopter;  
FIG. 6 is a top down view of the helicopter; and,  
FIG. 7 is a bottom up view of the helicopter.

**1 Claim, 7 Drawing Sheets**

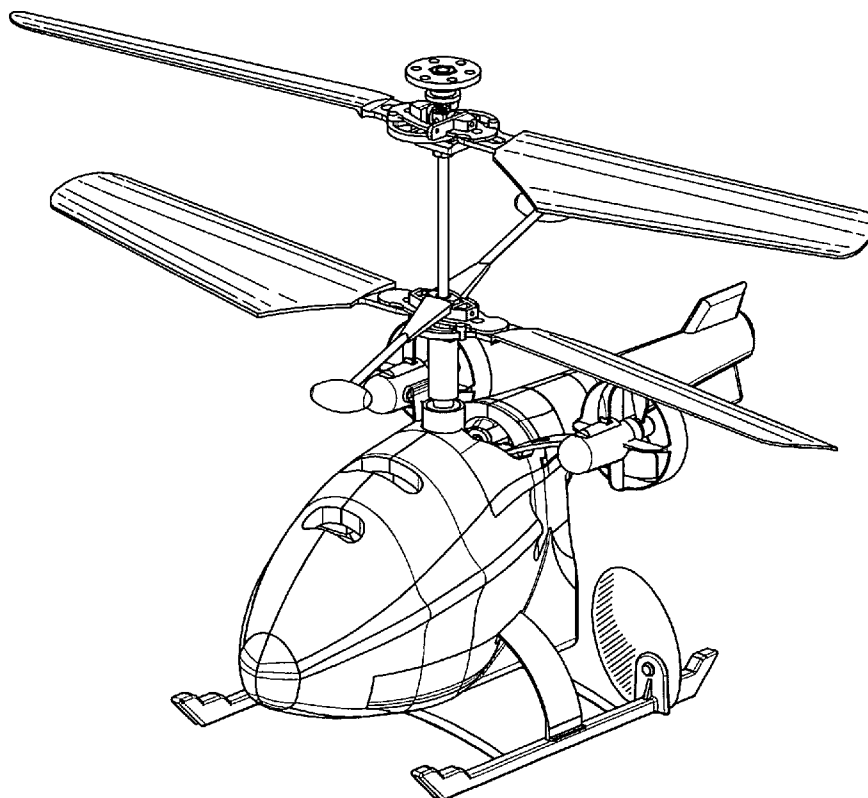
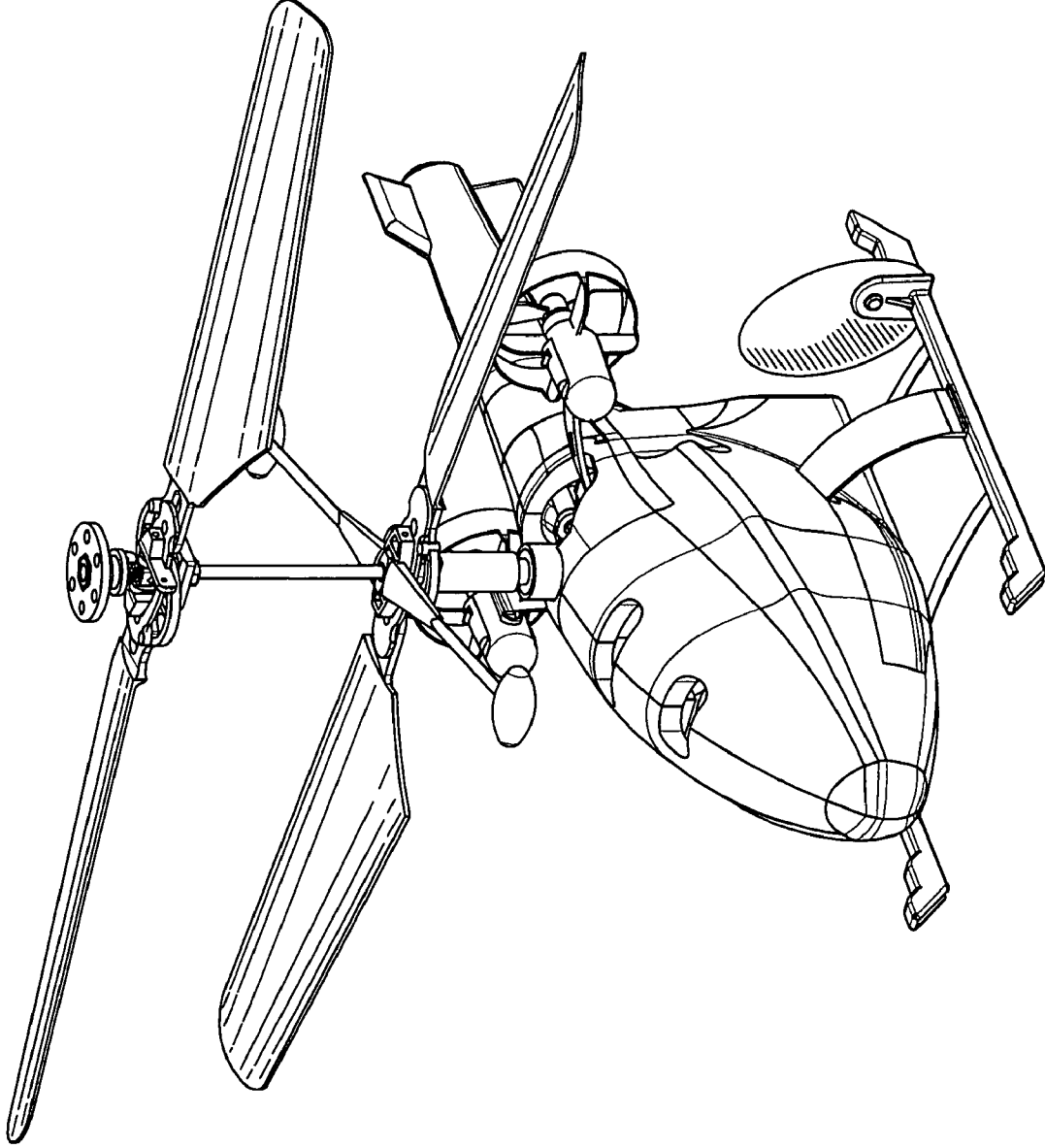


FIG. 1



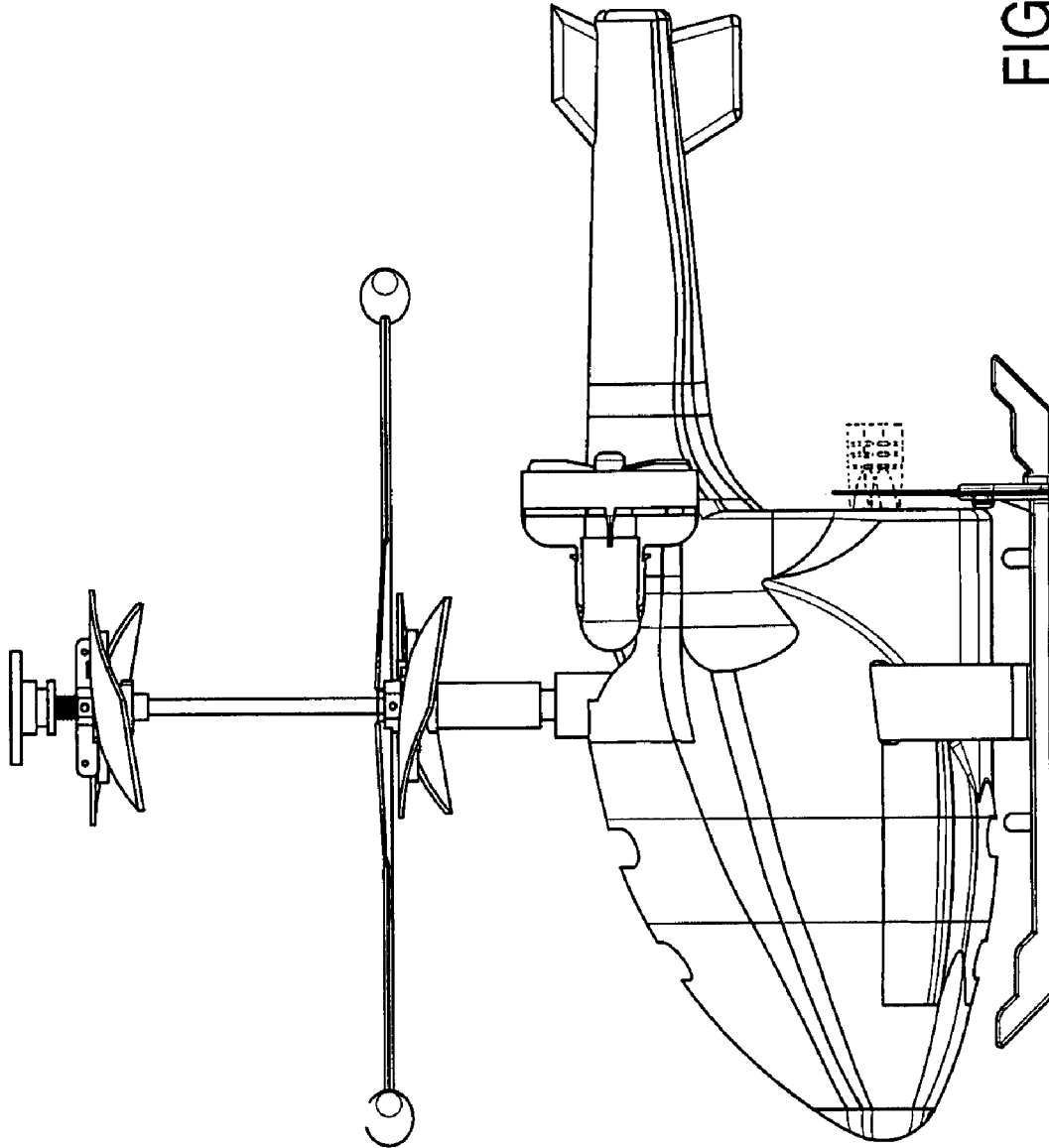


FIG. 2

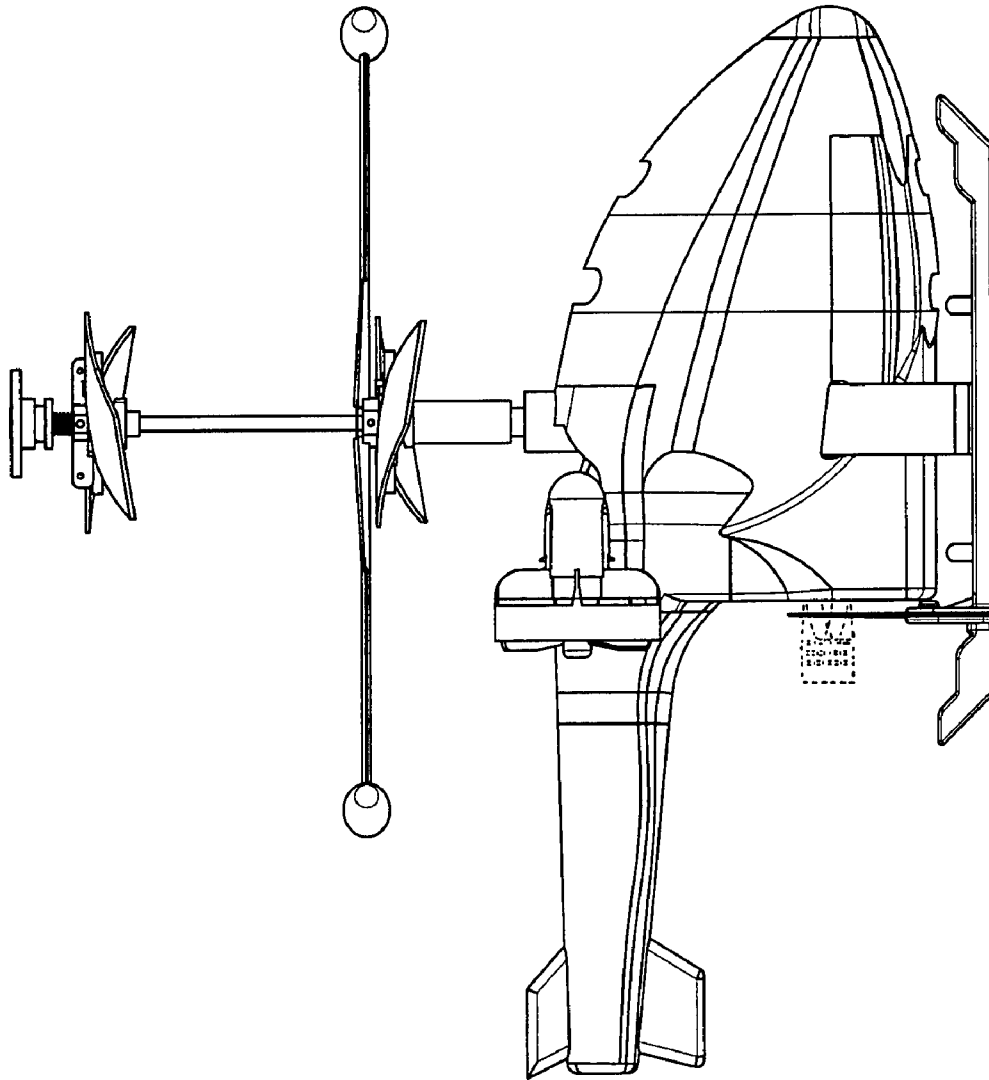


FIG. 3

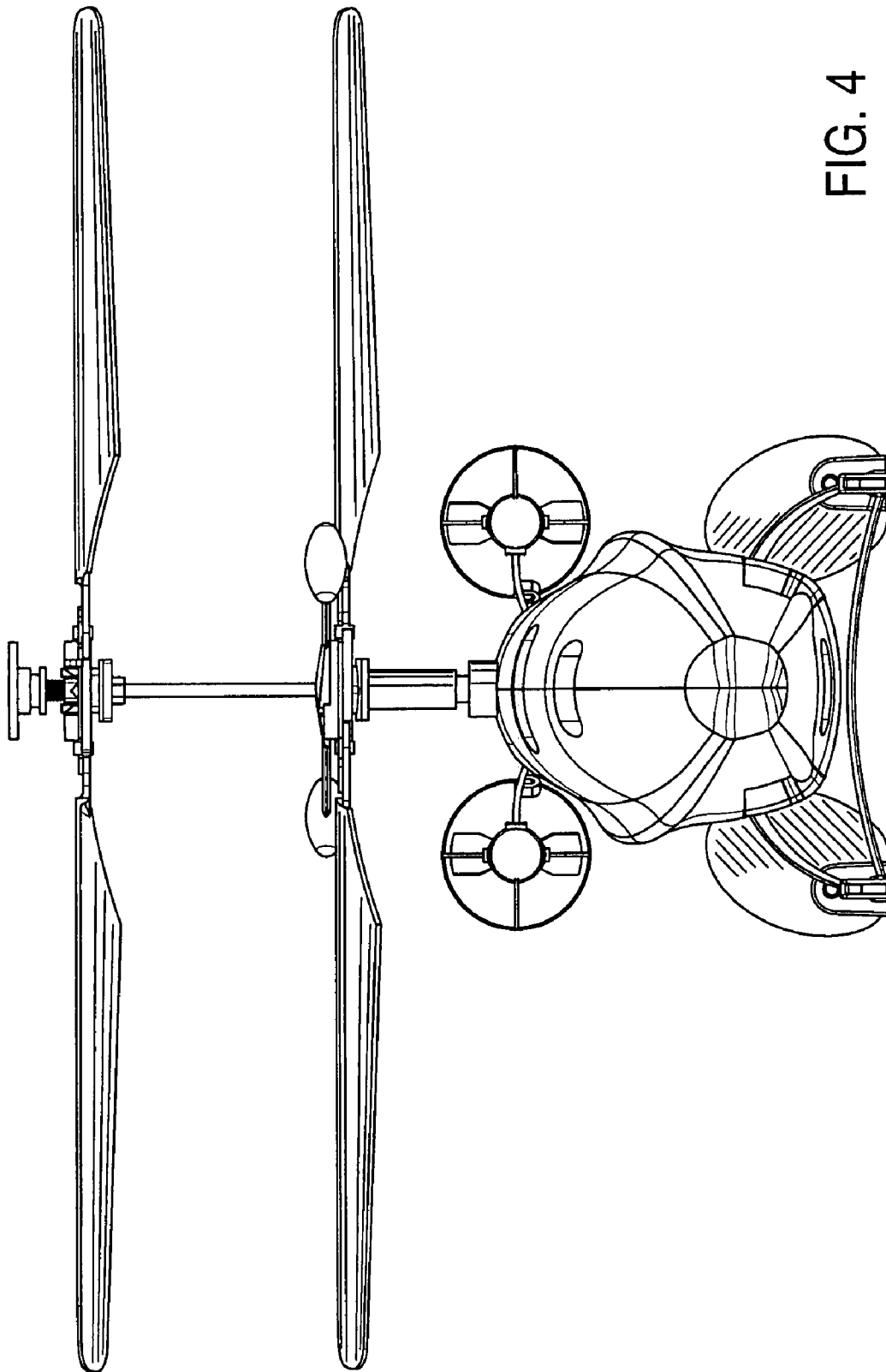


FIG. 4

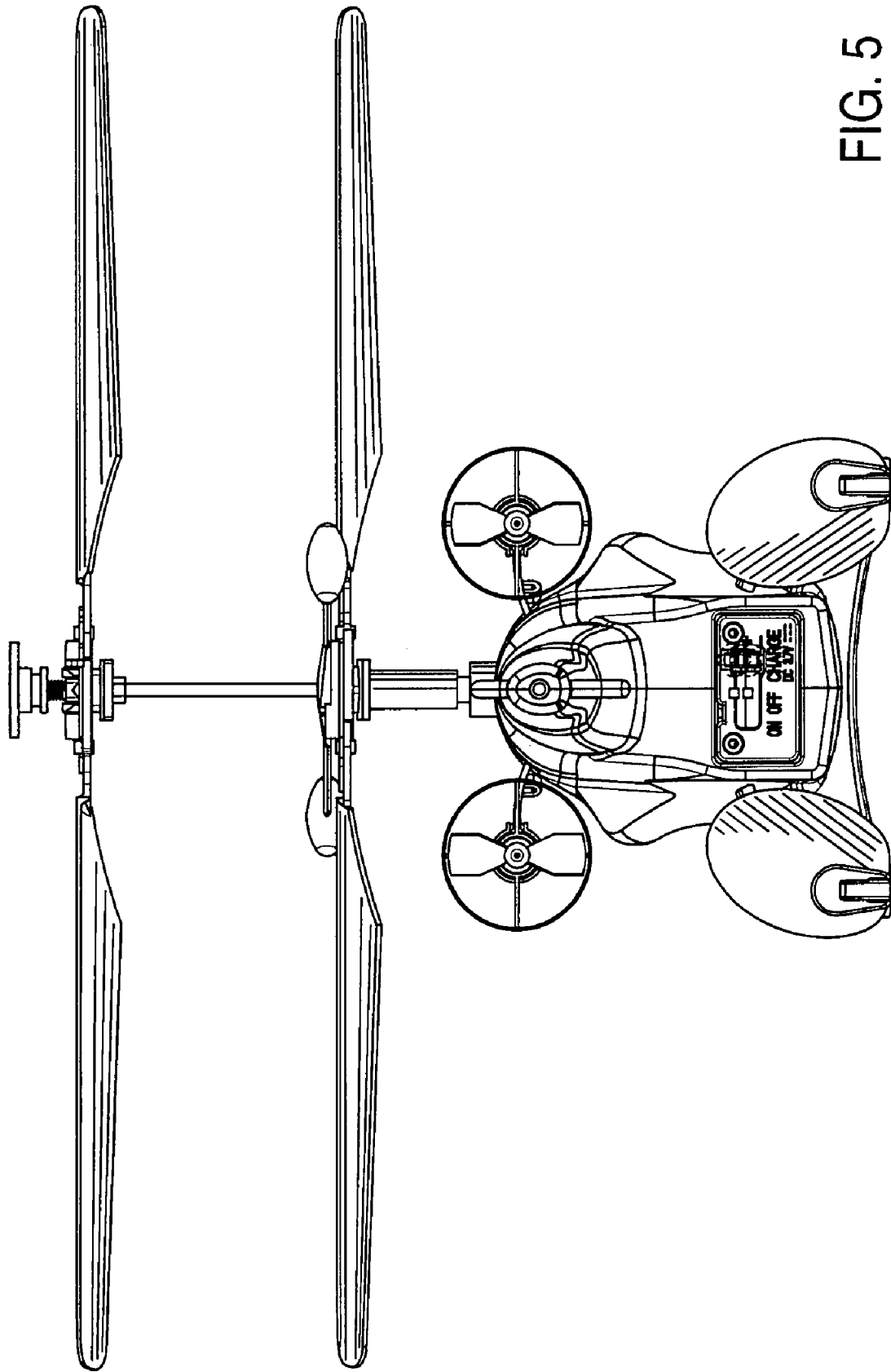


FIG. 5

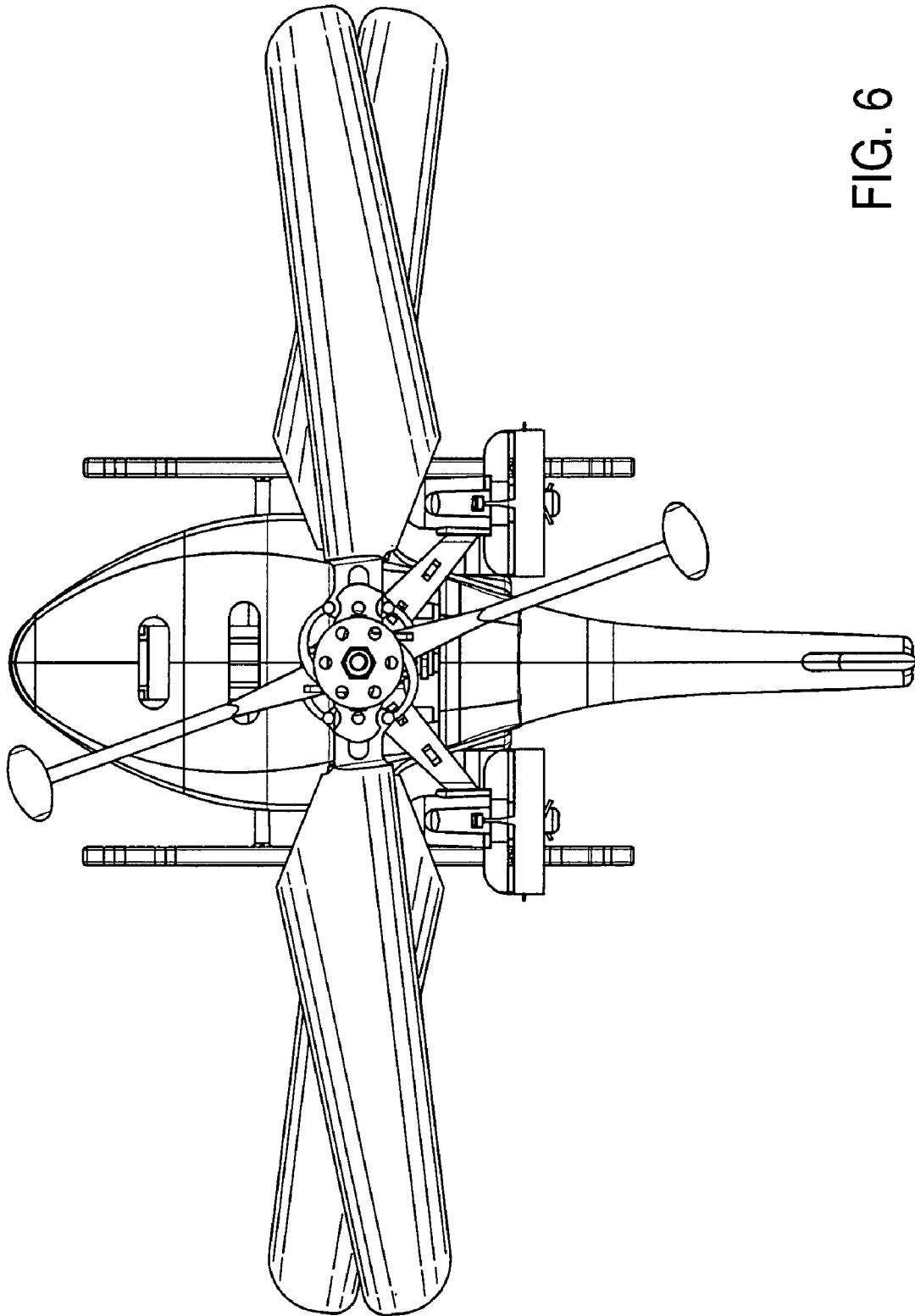


FIG. 6

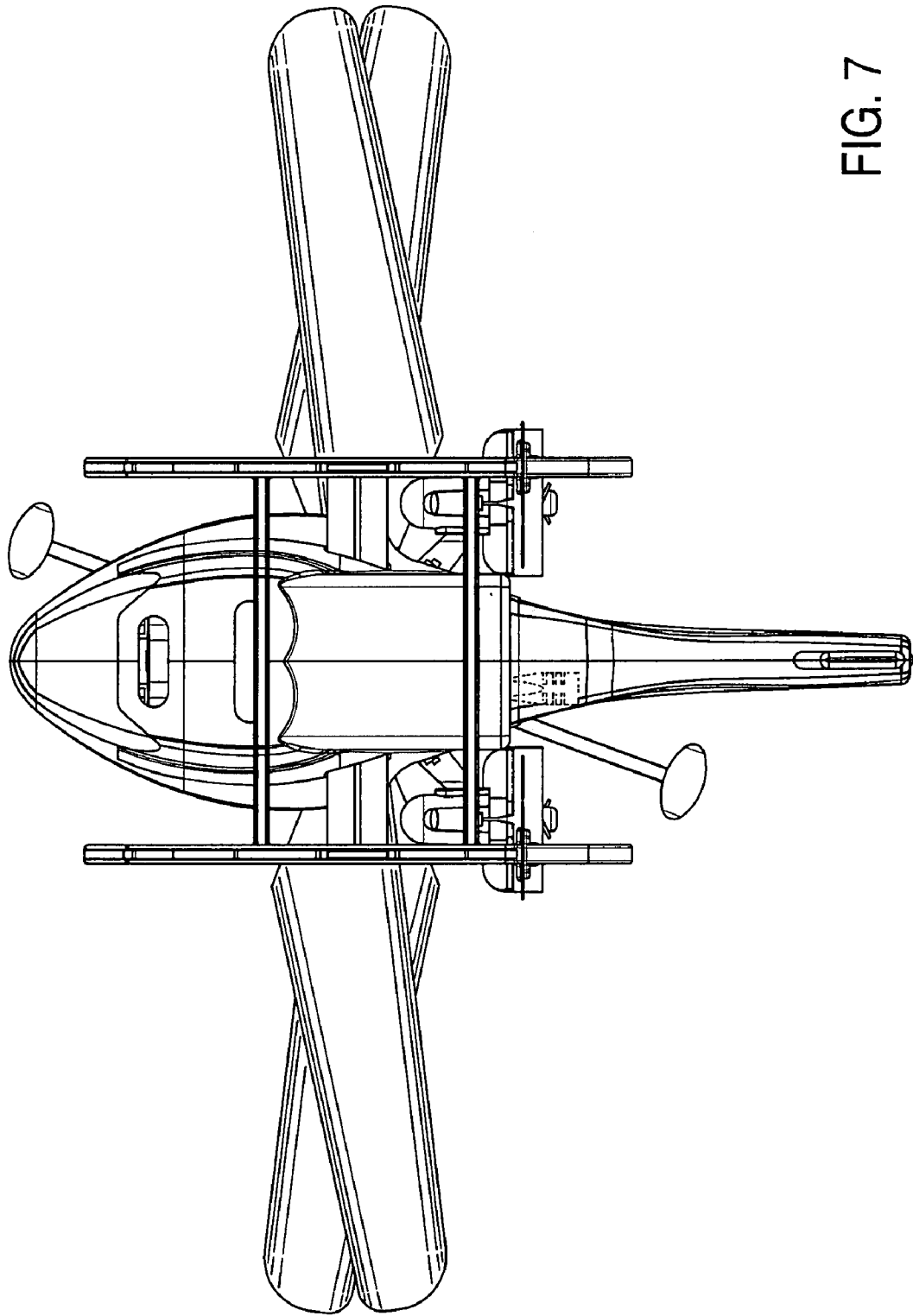


FIG. 7