



US00D515561S

(12) **United States Design Patent**  
**Sung**

(10) **Patent No.:** **US D515,561 S**

(45) **Date of Patent:** **\*\* Feb. 21, 2006**

(54) **HOST COMPUTER**

(76) Inventor: **Tony Wen Sung**, 1433 Richmond St.,  
El Cerrito, CA (US) 94530

(\*\*) Term: **14 Years**

(21) Appl. No.: **29/213,642**

(22) Filed: **Sep. 21, 2004**

(30) **Foreign Application Priority Data**

Apr. 30, 2004 (CN) ..... 93302522

(51) **LOC (8) Cl.** ..... **14-02**

(52) **U.S. Cl.** ..... **D14/300; D14/351**

(58) **Field of Classification Search** ..... D14/300-302,  
D14/314, 348, 356, 439, 440, 403, 351; D13/162,  
D13/184, 199; D6/432, 436, 445, 448; 312/223.1,  
312/223.3; 360/99.01-99.12; 361/690-696;  
369/34.01, 36.01; D21/329

See application file for complete search history.

(56) **References Cited**

**U.S. PATENT DOCUMENTS**

D372,469 S \* 8/1996 Samborsky ..... D14/440  
D373,762 S \* 9/1996 Samborsky ..... D14/440

D374,219 S \* 10/1996 Allana et al. .... D14/403  
D426,544 S \* 6/2000 Smith et al. .... D14/351  
D435,869 S \* 1/2001 Podd et al. .... D21/329  
D436,382 S \* 1/2001 Podd et al. .... D21/329  
D467,620 S \* 12/2002 Lin ..... D21/329  
D483,375 S \* 12/2003 Denney ..... D14/440

\* cited by examiner

*Primary Examiner*—Freda S. Nunn

(74) *Attorney, Agent, or Firm*—Charles E. Baxley

(57) **CLAIM**

The ornamental design for a host computer, as shown and described.

**DESCRIPTION**

FIG. 1 is a perspective view of a host computer showing my new design;

FIG. 2 is a front elevational view thereof;

FIG. 3 is a rear elevational view thereof,

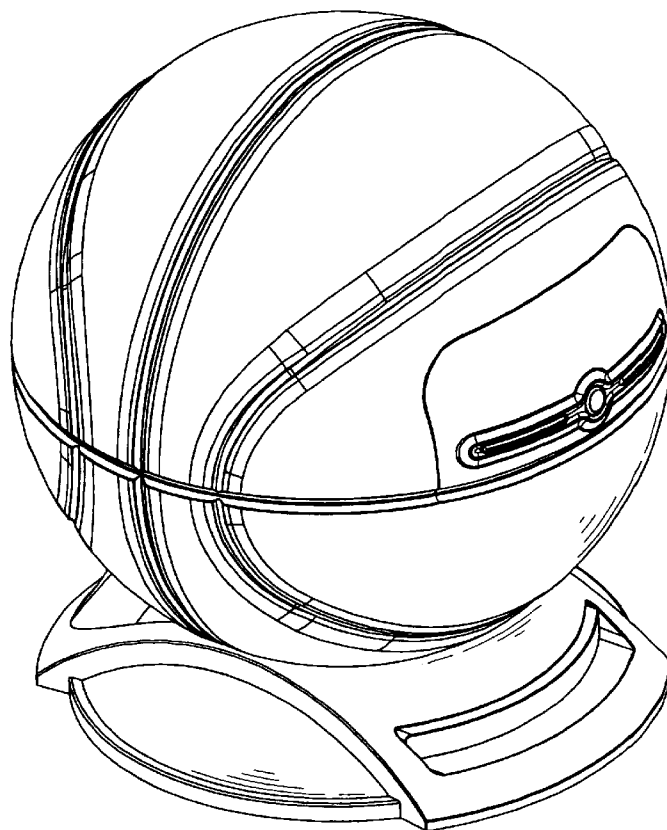
FIG. 4 is a left side elevational view thereof,

FIG. 5 is a right side elevational view thereof,

FIG. 6 is a top plan view thereof; and,

FIG. 7 is a bottom plan view to that shown.

**1 Claim, 7 Drawing Sheets**



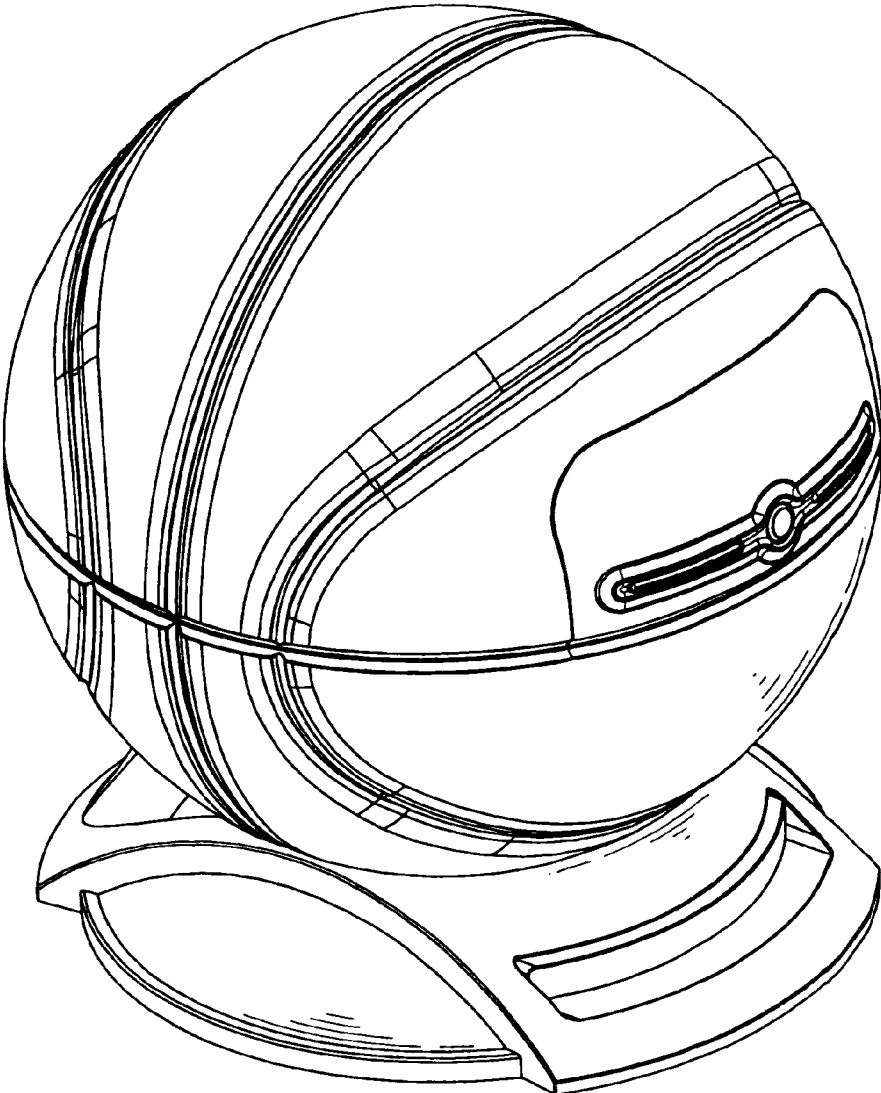


FIG. 1

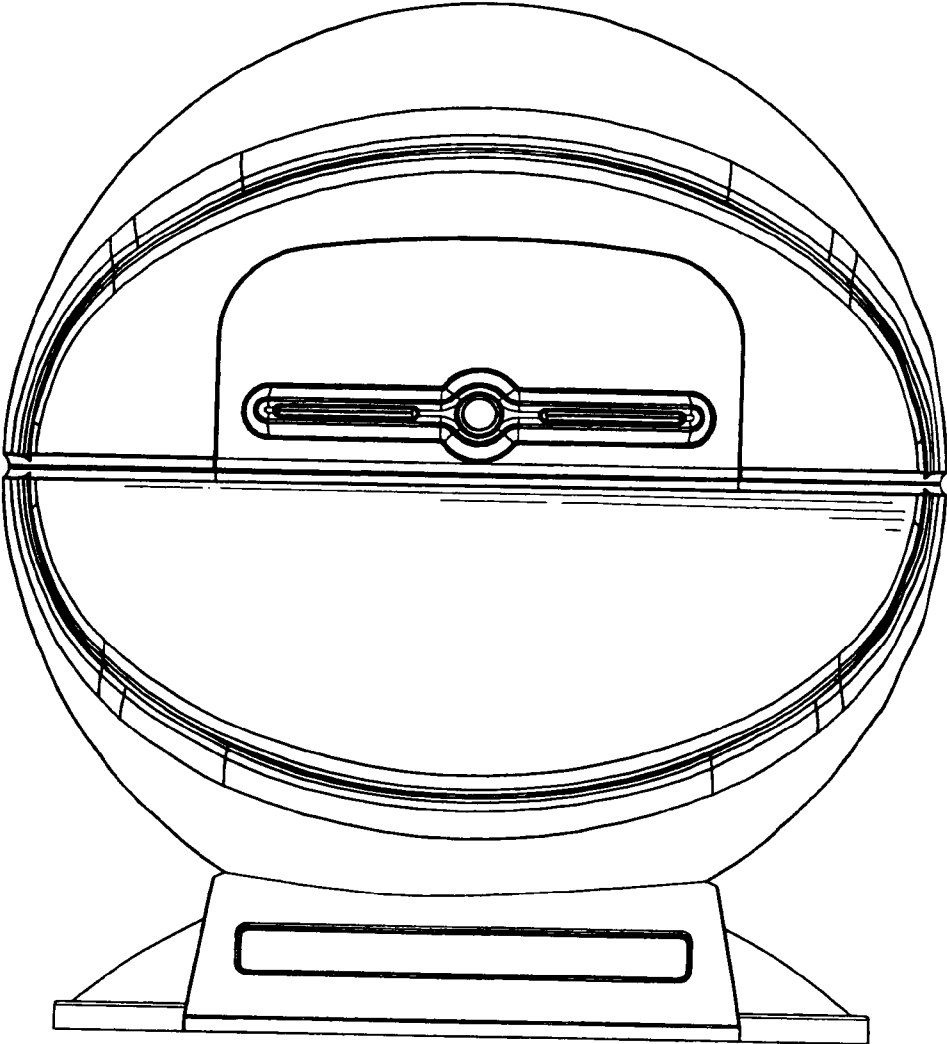


FIG. 2

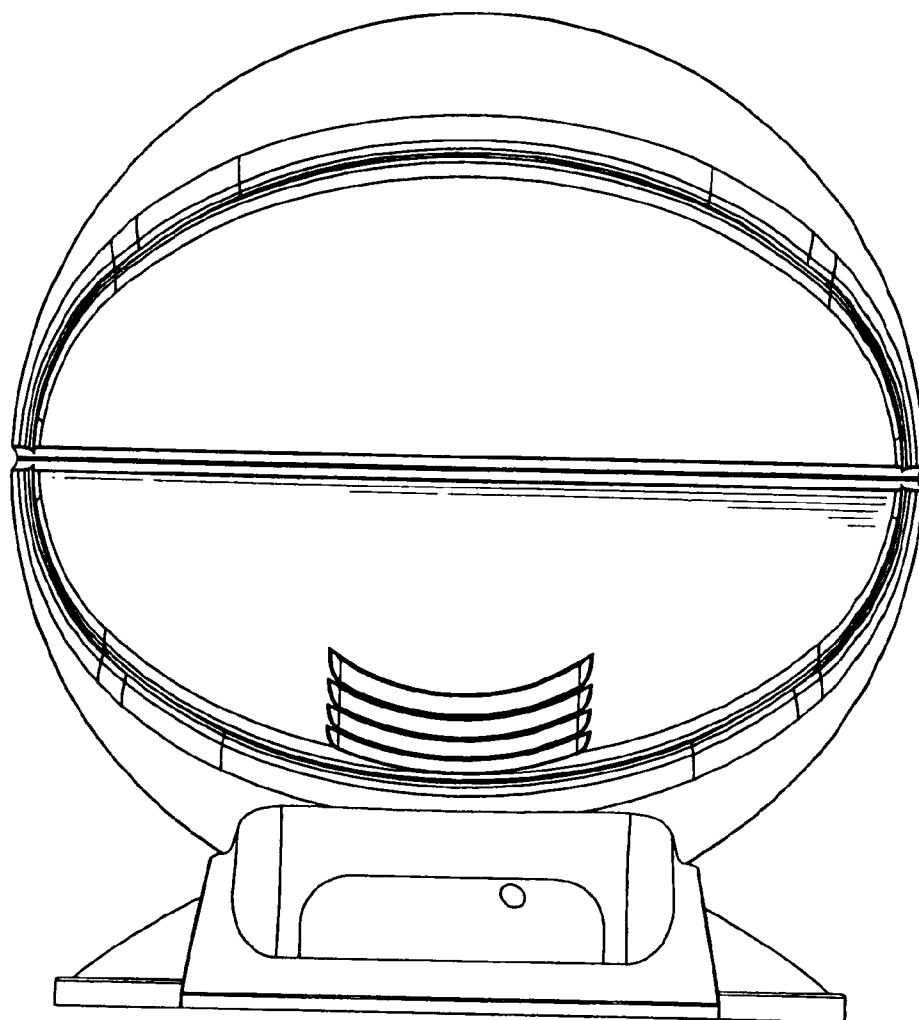


FIG. 3

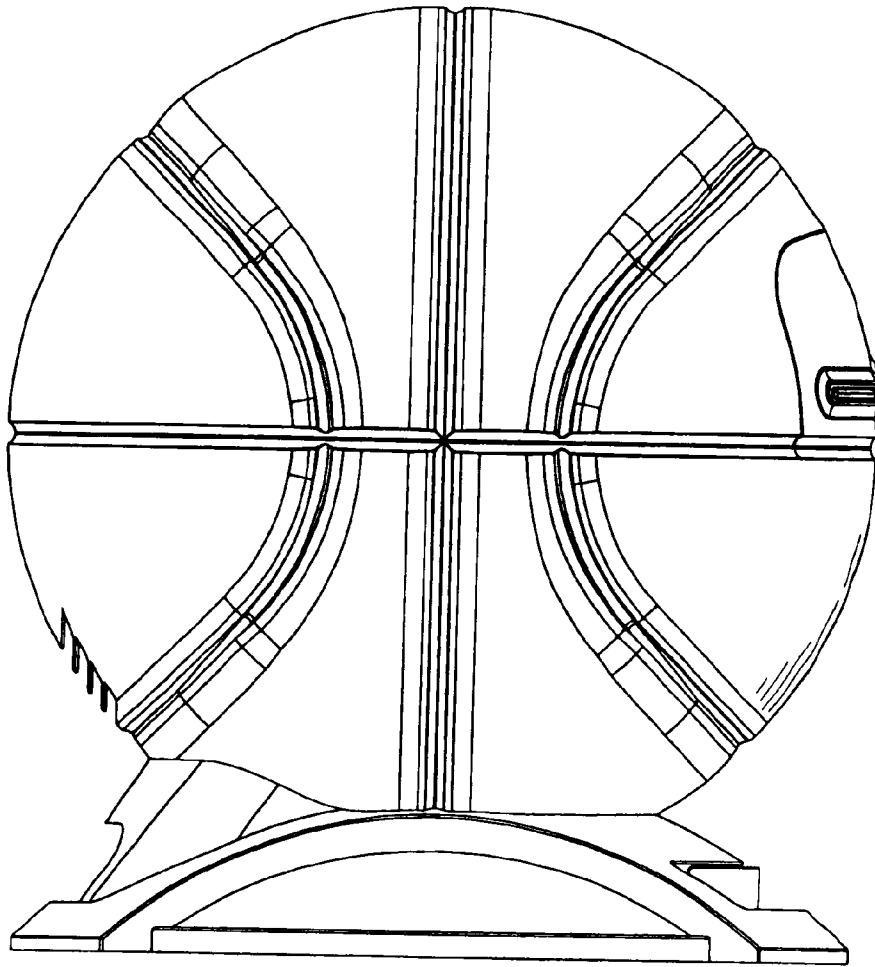


FIG. 4

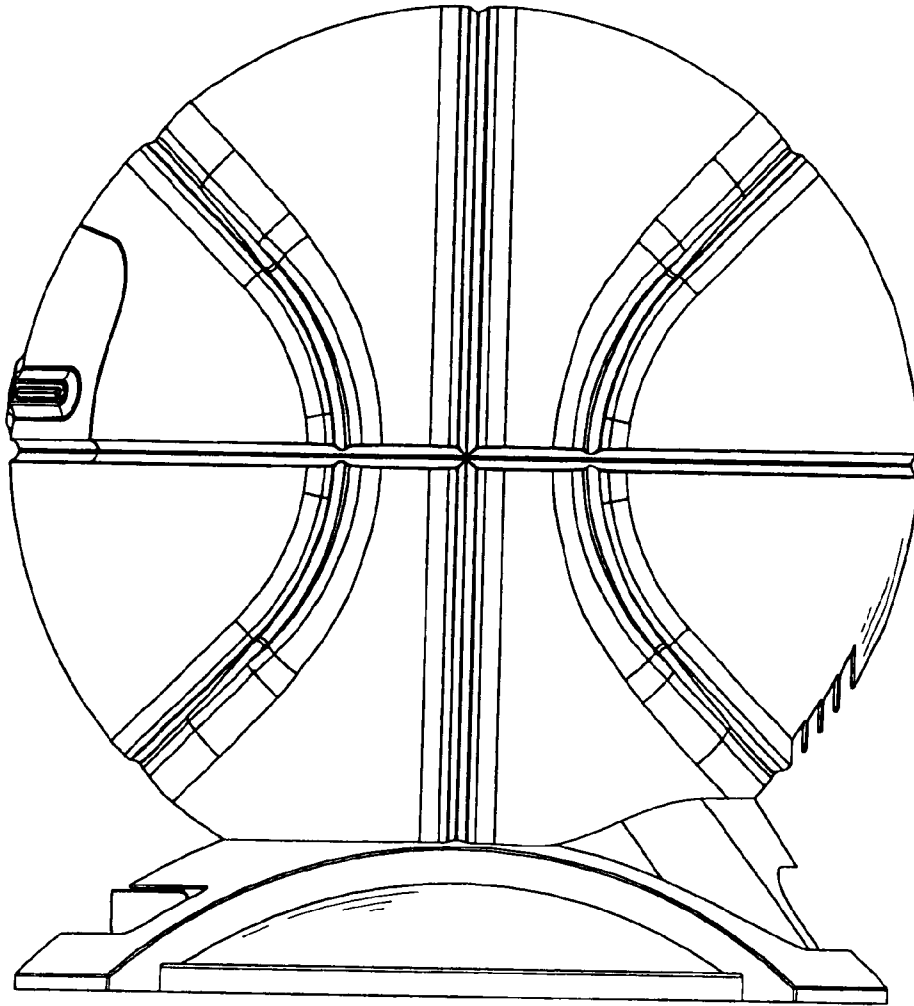


FIG. 5

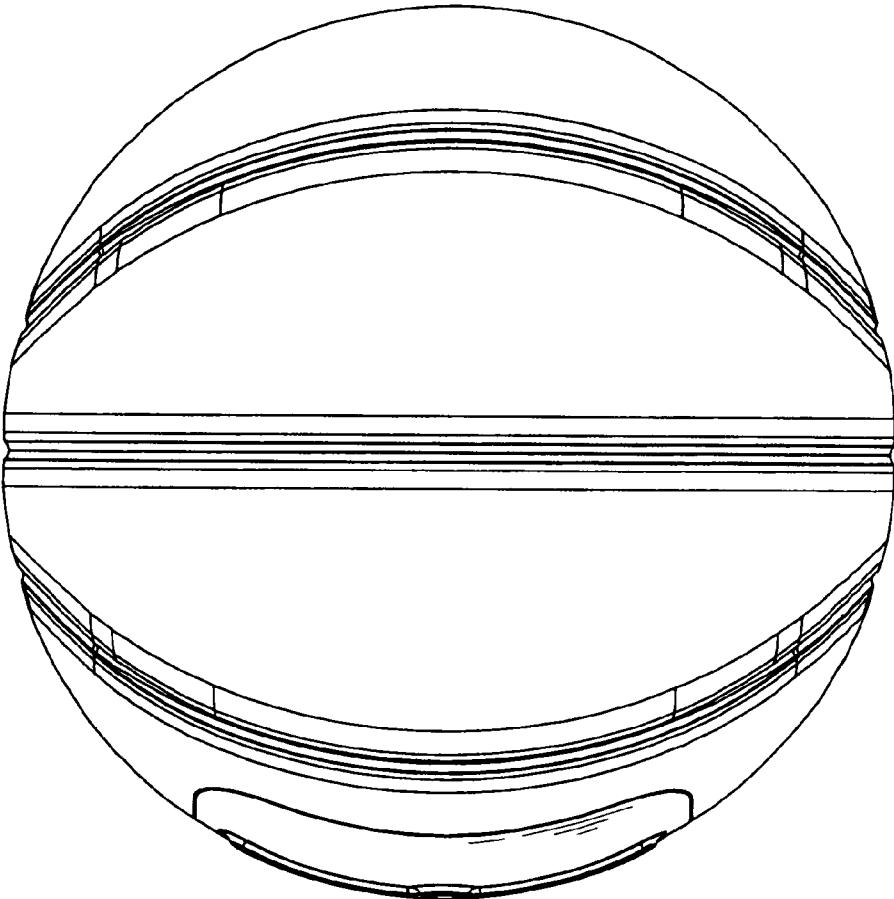


FIG. 6

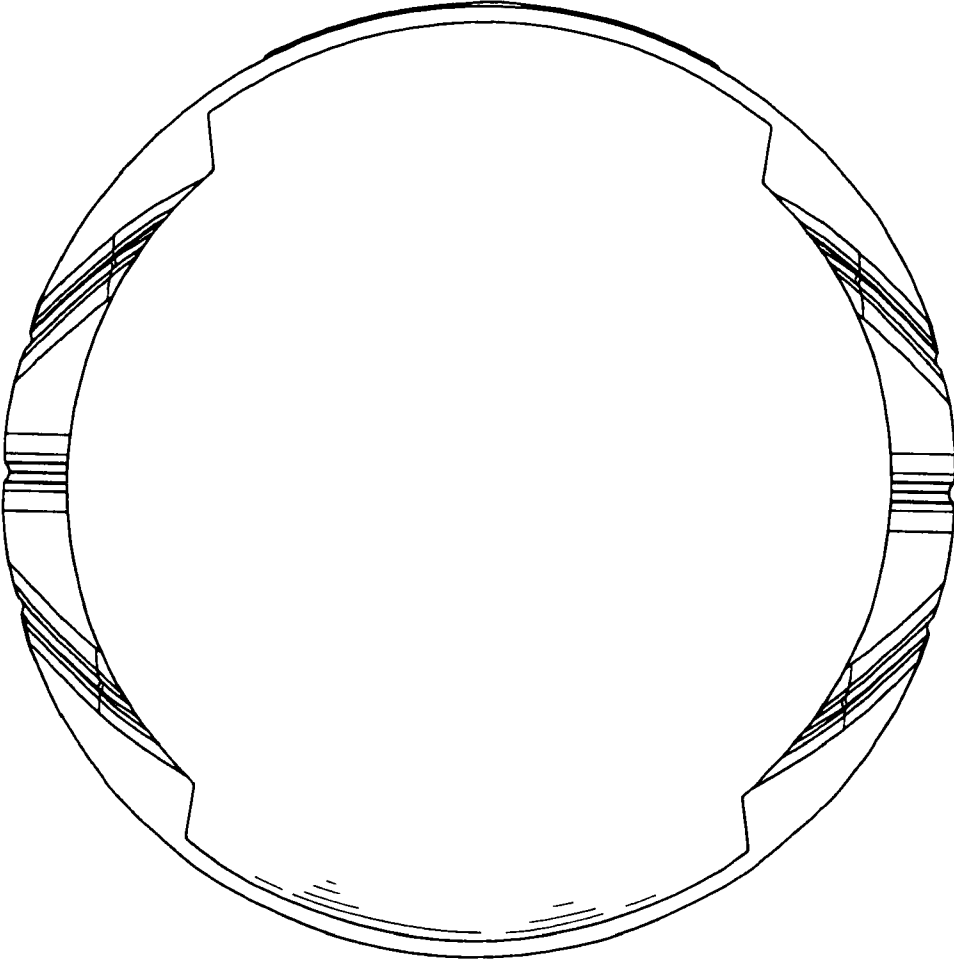


FIG. 7