

(19) World Intellectual Property Organization
International Bureau



(43) International Publication Date
15 February 2007 (15.02.2007)

PCT

(10) International Publication Number
WO 2007/018840 A2

- (51) International Patent Classification:
G06K 7/00 (2006.01)
- (21) International Application Number:
PCT/US2006/026022
- (22) International Filing Date: 20 June 2006 (20.06.2006)
- (25) Filing Language: English
- (26) Publication Language: English
- (30) Priority Data:
11/186,494 20 July 2005 (20.07.2005) US
- (71) Applicant (for all designated States except US): **INTELLEFLEX CORPORATION** [US/US]; 1075 E. Brokaw Road, Suite 200, San Jose, CA 95131 (US).

(81) Designated States (unless otherwise indicated, for every kind of national protection available): AE, AG, AL, AM, AT, AU, AZ, BA, BB, BG, BR, BW, BY, BZ, CA, CH, CN, CO, CR, CU, CZ, DE, DK, DM, DZ, EC, EE, EG, ES, FI, GB, GD, GE, GH, GM, HN, HR, HU, ID, IL, IN, IS, JP, KE, KG, KM, KN, KP, KR, KZ, LA, LC, LK, LR, LS, LT, LU, LV, LY, MA, MD, MG, MK, MN, MW, MX, MZ, NA, NG, NI, NO, NZ, OM, PG, PH, PL, PT, RO, RS, RU, SC, SD, SE, SG, SK, SL, SM, SY, TJ, TM, TN, TR, TT, TZ, UA, UG, US, UZ, VC, VN, ZA, ZM, ZW.

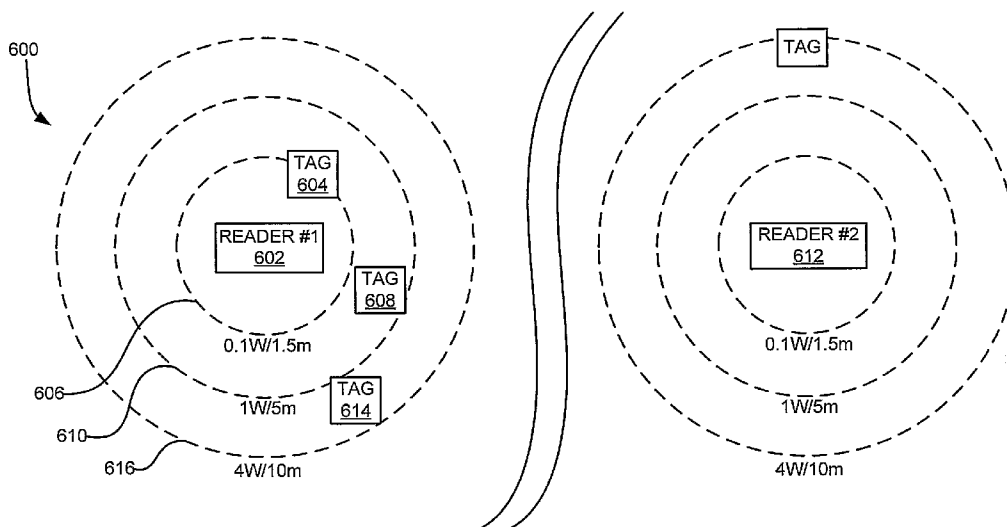
(84) Designated States (unless otherwise indicated, for every kind of regional protection available): ARIPO (BW, GH, GM, KE, LS, MW, MZ, NA, SD, SL, SZ, TZ, UG, ZM, ZW), Eurasian (AM, AZ, BY, KG, KZ, MD, RU, TJ, TM), European (AT, BE, BG, CH, CY, CZ, DE, DK, EE, ES, FI, FR, GB, GR, HU, IE, IS, IT, LT, LU, LV, MC, NL, PL, PT, RO, SE, SI, SK, TR), OAPI (BF, BJ, CF, CG, CI, CM, GA, GN, GQ, GW, ML, MR, NE, SN, TD, TG).

- (72) Inventors; and
- (75) Inventors/Applicants (for US only): **STEWART, Roger Green** [US/US]; 16797 Oak View Circle, Morgan Hill, CA 95037 (US). **BEMISS, William R.** [US/US]; 15180 Shining Star Lane, San Leandro, CA 94579 (US).
- (74) Agent: **KOTAB, Dominic M.**; Zilka-kotab, Pc, P.o. Box 721120, San Jose, CA 95172-1120 (US).

Published:
— without international search report and to be republished upon receipt of that report

For two-letter codes and other abbreviations, refer to the "Guidance Notes on Codes and Abbreviations" appearing at the beginning of each regular issue of the PCT Gazette.

(54) Title: RAMPED INTERROGATION POWER LEVELS



(57) Abstract: A method for communicating with a plurality of radio frequency (RF) devices includes transmitting a first signal at a first power level, interrogating RF devices responding to the first signal, instructing the responding RF devices to change state, and transmitting a second signal at a second power level higher than the first power level. The RF devices responding to the first signal do not respond to the second signal upon changing state.

WO 2007/018840 A2

As shown in FIG. 1, a basic RFID system **100** includes several tags **102**, a reader **104**, and an optional server **106**. Each tag **102** includes an integrated circuit (IC) chip and an antenna. The IC chip includes a digital decoder needed to execute the computer commands the tag **102** receives from the tag reader **104**. The IC chip also includes a power supply circuit to extract and regulate power from the RF reader; a detector to decode signals from the reader; a back-scattering modulator to send data back to the reader; anti-collision protocol circuits; and at least enough memory to store its EPC code.

Communication begins with a reader **104** sending out signals to find the tag **102**. When the radio wave hits the tag **102** and the tag **102** recognizes the reader's signal, the reader **104** decodes the data programmed into the tag **102**. The information can then be passed to a server **106** for processing, storage, and/or propagation to another computing device. By tagging a variety of items, information about the nature and location of goods can be known instantly and automatically.

The system uses reflected or "backscattered" radio frequency (RF) waves to transmit information from the tag **102** to the reader **104**. Since passive (Class-1 and Class-2) tags get all of their power from the reader signal, the tags are only powered when in the beam of the reader **104**.

The Auto ID Center EPC-Compliant tag classes are set forth below:

20 Class-1

- Identity tags (RF user programmable, maximum range ~3 m)

Class-2

- Memory tags (8 bits to 128 Mbits programmable at maximum ~3 m range)
- 25 • Security & privacy protection

Class-3

- Battery tags (256 bits to 64Kb)
- Self-Powered Backscatter (internal clock, sensor interface support)
- 30 • ~100 meter range

Class-4

- Active tags
- Active transmission (permits tag-speaks-first operating modes)
- 5 • Up to 30,000 meter range

In RFID systems where passive receivers (i.e., Class-1 tags) are able to capture enough energy from the transmitted RF to power the device, no batteries are necessary. In systems where distance prevents powering a device in this manner, an alternative
10 power source must be used. For these “alternate” systems (also known as active or semi-passive), batteries are the most common form of power. This greatly increases read range, and the reliability of tag reads, because the tag doesn't need power from the reader. Class-3 tags only need a 10 mV signal from the reader in comparison to the 500 mV that a Class-1 tag needs to operate. This 2,500:1 reduction in power requirement
15 permits Class-3 tags to operate out to a distance of 100 meters or more compared with a Class-1 range of only about 3 meters.

A problem frequently encountered is that of “hot” tags. Because tags communicate with the reader by backscattering the carrier signal, those tags very close to a reader create a very strong backscatter that can interfere with communications
20 between other tags and readers located far away. Two types of interference, or “jamming”, are prevalent: forward link jamming and backscatter jamming. Consider a situation in which passive tag-1 is located 0.5 meters from Reader #1. The communications therebetween include the forward link from the reader to tag, and the backscatter signal from the tag to the reader. The maximum effective range of Reader
25 #1 is 10m. Passive tag-2 is located 10 meters from Reader #2. Readers #1 and #2 are located 200 meters apart. A "hot" tag-1 located only 0.5 meter from Reader #1 will generate backscatter 400 times greater at 0.5m than it would at the 10m maximum range of the reader, as calculated by $(\text{max range}/\text{actual distance})^2 = (10/0.5)^2 = 400X$. As will soon become apparent, tag-1 generates so much backscatter that it can jam
30 communications between tag-2 and Reader #2, even though both tag-2 and Reader #2

are located 200 meters away from tag-1. In fact, for acceptable communications, Reader #2 would need to be located over 600 meters from tag-1 and/or Reader #1 based on square-law attenuation of RF energy over distance in free space, as calculated by the following equation:

5

$$D = a \times b \times (d2/d1) \qquad \text{Equation 1}$$

where:

D is the distance between Reader #1 and Reader #2,

10

a is the extra distance necessary to provide a minimum "tag-2 to tag-1 signal to noise ratio" of at least 10 db (which is a typical minimum ratio that allows tag-2 to successfully communicate with Reader #1) [value can vary depending on system and environmental situation],

b is the maximum effective range of Reader #1,

15

$d2$ is the distance between tag-2 and Reader #2, and

$d1$ is the distance between tag-1 and Reader #1.

Performing the calculation, $3 \times 10 \times (10/0.5) = 600$ meters. This is unacceptable in situations where multiple readers may be present in close proximity, as in a shopping mall. In the US, there are about 50 channels available to RFID systems. In Europe, there are currently only 10 channels. Accordingly, as RFID becomes more prevalent, readers will be using the same channels and will be using the same frequency, and the "hot tag" problem will become a serious issue that must be overcome.

Using long-range Class-3 tags and readers makes this "hot tag" problem even worse. For example, a "hot" Class-3 tag-3 located 0.5m from Reader #3 running at a full 4 Watt (W) Effective Incident Radiated Power (EIRP) power can jam a Class-3 tag-4 located 100 meters from Reader #4 at a range of 60,000 meters in free space, where $D = 3 \times 100 \times (100/0.5) = 60,000$ meters. In English units, this "hot tag" can jam every reader operating in its channel at a range of up to 40 miles away (in free space).

30 One proposed solution is to have the tag detect its own incident power. If the tag

detects a strong signal, it will attenuate its own backscatter. However, this adds complexity and cost to each and every tag, making it cost prohibitive.

What is needed is a cost effective and efficient way to both dramatically reduce the severity of the hot tag backscatter problem and also reduce reader-to-reader
5 interference in the forward link as well.

SUMMARY OF THE INVENTION

5 A method for communicating with a plurality of radio frequency (RF) devices includes transmitting a first signal at a first power level, interrogating RF devices responding to the first signal, instructing the responding RF devices to change state, and transmitting a second signal at a second power level higher than the first power level. The RF devices responding to the first signal do not respond to the second signal upon changing state.

10 According to another embodiment, a method for communicating with a plurality of radio frequency (RF) devices includes transmitting a signal at a first power level, continuously increasing the signal to a second power level, interrogating RF devices responding to the signal, and instructing the responding RF devices to change state such that the RF devices do not respond to the signal upon changing state.

15 Another method for communicating with a plurality of radio frequency (RF) devices includes transmitting a series of signals, each sequential signal being transmitted at an increased power level, and, at each power level, singulating RF devices responding to the signal and instructing the responding RF devices to change to an unresponsive state.

20 A system for communicating with a plurality of radio frequency (RF) devices according to an embodiment includes a first reader, a second reader spaced apart from the first reader, a plurality of first tags closer to the first reader than the second reader, and a plurality of second tags closer to the second reader than the first reader. The first reader uses a combination of varying a transmitting power level when communicating with the first tags and instructing the first tags to become nonresponsive such that backscatter signals from the first tags received by the second reader are always less than a minimum effective backscatter signal from any second tag at the second reader.

25 Another system for communicating with a plurality of radio frequency (RF) devices includes a first reader having a first effective communication range, a second reader spaced apart from the first reader and having a second effective communication

30

range, a plurality of first tags closer to the first reader than the second reader, and a plurality of second tags closer to the second reader than the first reader. The first reader uses a combination of varying a transmitting power level when communicating with the first tags and instructing the first tags to become nonresponsive such that the first reader and the second reader are operable in a same communications channel at a distance from each other of about 10 times the first effective communications range. Alternatively, the first reader uses a combination of varying a transmitting power level when communicating with the first tags and instructing the first tags to become nonresponsive such that the first reader and the second reader are operable in a same communications channel at a distance from each other of about 10 times the second effective communications range.

A radio frequency (RF) system according to another embodiment includes a plurality of RF readers, a plurality of RF tags in communication with the readers, and a reader network coordinator that controls and coordinates a multiplicity of RF readers to minimize backscatter and/or forward link jamming between the tags and the readers.

Other aspects and advantages of the present invention will become apparent from the following detailed description, which, when taken in conjunction with the drawings, illustrate by way of example the principles of the invention.

BRIEF DESCRIPTION OF THE DRAWINGS

For a fuller understanding of the nature and advantages of the present invention, as
5 well as the preferred mode of use, reference should be made to the following detailed
description read in conjunction with the accompanying drawings.

FIG. 1 is a system diagram of an RFID system.

FIG. 2 is a high level circuit diagram showing a circuit for implementation in a
RF device according to one embodiment.

10 FIG. 3 is a high level circuit diagram of a monolithic semiconductor integrated
circuit that may form part of the circuit of FIG. 2.

FIG. 4 is a system diagram for an integrated circuit (IC) chip for implementation
in an RFID tag.

FIG. 5 is a process diagram of a method for ramping a power level.

15 FIG. 6 is a system diagram depicting an RFID system in which an RFID reader
ramps a power level to communicate with RFID tags.

FIG. 7 illustrates a dock door RFID scenario.

FIG. 8 is a flow diagram of a method performed by a reader in a listen then talk
mode.

BEST MODE FOR CARRYING OUT THE INVENTION

5 The following description is the best embodiment presently contemplated for carrying out the present invention. This description is made for the purpose of illustrating the general principles of the present invention and is not meant to limit the inventive concepts claimed herein.

10 The following specification describes systems and methods for sequentially increasing a power level of an interrogator such as an RFID tag reader. In an RFID system, for example, system noise caused by "hot" tag backscatter and other background clutter can be considerably reduced by sequentially stepping or ramping the reader power to various levels instead of just going immediately to full power level. The reader will attempt to establish communication with the tags throughout each power ramping interval and will first singulate any tags that it detects nearby that are responding with adequate
15 backscatter. These nearby tags are then put to sleep before the reader increases its power output level as necessary to interrogate more distant tags.

Many types of devices can take advantage of the embodiments disclosed herein, including but not limited to Radio Frequency Identification (RFID) systems and other wireless devices/systems; portable electronic devices; audio devices, and other electronic
20 devices; smoke detectors; etc. To provide a context, and to aid in understanding the embodiments of the invention, much of the present description shall be presented in terms of an RFID system such as that shown in FIG. 1. It should be kept in mind that this is done by way of example only, and the invention is not to be limited to RFID systems, as one skilled in the art will appreciate how to implement the teachings herein into
25 electronics devices in hardware and/or software. Examples of hardware include Application Specific Integrated Circuits (ASICs), printed circuits, monolithic circuits, reconfigurable hardware such as Field Programmable Gate Arrays (FPGAs), etc. Further, the methodology disclosed herein can also be incorporated into a computer program product, such as a computer disc containing software. Further, such software need not be
30 embodied on a readable medium, but can be downloadable or otherwise transferable from

one computing device to another via network, nonvolatile memory device, resident on the device, etc.

FIG. 2 illustrates a radio frequency data communication device **200**, e.g., RFID tag. The radio frequency data communication device **200** includes an integrated circuit **204**, a power source **206** connected to the integrated circuit **204** to supply power to the integrated circuit **204**, and at least one antenna **202** connected to the integrated circuit **204** for radio frequency transmission and reception by the integrated circuit **204**. For purposes of this disclosure, including the appended claims, the term "integrated circuit" and "circuit" shall be defined as a combination of interconnected circuit elements associated on or within a continuous substrate. For purposes of this disclosure, including the appended claims, the term "semiconductive substrate" is defined to mean any construction comprising semiconductive material, including, but not limited to, bulk semiconductive materials such as a semiconductive wafer (either alone or in assemblies comprising other materials thereon), and semiconductive material layers (either alone or in assemblies comprising other materials). For purposes of this disclosure, including the appended claims, the term "substrate" refers to any supporting structure, including, but not limited to, the semiconductive substrates described above as well as printed circuit boards (PCBs). In the illustrated embodiment, the integrated circuit **204** is a monolithic integrated circuit. For purposes of this disclosure, including the appended claims, the term "monolithic integrated circuit" shall be defined as an integrated circuit wherein all circuit components are manufactured into or on top of a single chip of silicon or layer of a semiconductor. The integrated circuit **204** will be described in greater detail below. The power source **206** can be a battery and/or a power supply circuit that extracts and regulates power from the RF reader signal.

The radio frequency data communication device **200** can be included in any appropriate housing or packaging, made of plastic or any other suitable material. The device **200** is of a small size that lends itself to applications employing small housings, such as cards, miniature tags, etc. Larger housings can also be employed. The device **200**, housed in any appropriate housing, can be supported from or attached to an object in any desired manner; for example using double sided tape, glue, lanyards, leash, nails, staples,

rivets, or any other fastener. The housing can be sewn on to an object, hung from an object, implanted in an object (hidden), etc. A description of illustrative RFID tags and interrogators, systems, and methods of use are disclosed in U.S. Patent Appl. Pub. No. 2004/0201457A1 to O'Toole et al., which is herein incorporated by reference.

5 Various configurations are possible for the antenna **202**. The integrated circuit **204** includes a receiver **300** and a transmitter **302** (FIG. 3). In one embodiment, separate antennas **314** and **316** are provided for receiver and transmitter of the integrated circuit **204**. In another embodiment (FIG. 2), a single antenna is shared by the receiver and transmitter sections. In one embodiment, the antenna is defined by conductive epoxy
10 screened onto a card or housing. In the illustrated embodiment, the antenna is conductively bonded to the integrated circuit via bonding pads.

In an embodiment where a single antenna is employed, that single antenna preferably comprises a folded dipole antenna defining a continuous conductive path, or loop, of microstrip. Alternatively, the antenna can be constructed as a continuous loop
15 antenna.

If the power source **206** is a capacitance, the capacitance can take any suitable form. Preferably, the capacitance will be integrated into the monolithic integrated circuit. Instead of using a capacitance, a battery or any other suitable power source can be employed.

20 FIG. 3 is a high level circuit schematic of an integrated circuit **204** that can be utilized in the devices of FIG. 2. In the embodiment shown in FIG. 3, the integrated circuit **204** is a monolithic integrated circuit. More particularly, in the illustrated embodiment, the integrated circuit **204** includes the receiver **300**, the transmitter **302**, a micro controller or microprocessor **304**, a wake up timer and logic circuit **306**, a clock
25 recovery and data recovery circuit **308**, and a bias voltage and current generator **312**.

In one embodiment, a spread spectrum processing circuit **310** is also included in the integrated circuit **204** and formed relative to the single die. In this embodiment, signals received by the receiver **300** are modulated spread spectrum signals. In an illustrated embodiment, the modulation scheme for replies sent by the transmitter **302** is

selectable. One of the available selections for replies sent by the transmitter **302** is modulated spread spectrum.

Other embodiments of the present invention are implemented in a Class-3 or higher Class chip. FIG. **4** depicts a circuit layout of a Class-3 chip **400** according to an illustrative embodiment for implementation in an RFID tag. This Class-3 chip can form the core of RFID chips appropriate for many applications such as identification of pallets, cartons, containers, vehicles, or anything where a range of more than 2-3 meters is desired. As shown, the chip **400** includes several industry-standard circuits including a power generation and regulation circuit **402**, a digital command decoder and control circuit **404**, a sensor interface module **406**, a C1V2 interface protocol circuit **408**, and a power source (battery) **410**. A display driver module **412** can be added to drive a display.

A battery activation circuit **414** is also present to act as a wake-up trigger. This circuit **414** is described in detail below. In brief, the battery activation circuit **414** includes an ultra-low-power, narrow-bandwidth preamplifier with a static current drain of only 50 nA. The battery activation circuit **414** also includes a self-clocking interrupt circuit and uses an innovative 16-bit user-programmable digital wake-up code. The battery activation circuit **414** draws less power during its sleeping state and is much better protected against both accidental and malicious false wake-up trigger events that otherwise would lead to pre-mature exhaustion of the Class-3 tag battery **410**.

A battery monitor **415** monitors power usage in the device. The information collected can then be used to estimate a useful remaining life of the battery.

A forward link AM decoder **416** uses a simplified phase-lock-loop oscillator that requires an absolute minimum amount of chip area. Preferably, the circuit **416** requires only a minimum string of reference pulses.

A backscatter modulator block **418** preferably increases the backscatter modulation depth to more than 50%.

A pure, Fowler-Nordheim direct-tunneling-through-oxide mechanism **420** is present to reduce both the WRITE and ERASE currents to less than 0.1 $\mu\text{A}/\text{cell}$ in the EEPROM memory array. Unlike any RFID tags built to date, this will permit designing

of tags to operate at maximum range even when WRITE and ERASE operations are being performed.

The module **400** may also incorporate a highly-simplified, yet very effective, security encryption circuit **422**.

5 Only four connection pads (not shown) are required for the chip **200** to function: Vdd to the battery, ground, plus two antenna leads to support multi-element omni-directional antennas. Sensors to monitor temperature, shock, tampering, etc. can be added by appending an industry-standard I2C interface to the core chip.

10 Extremely low-cost Class-2 security devices can be built by simply disabling or removing the wake-up module, pre-amplifiers, and/or IF modules from the Class-3 chip core.

15 Several embodiments are described below with reference to specific power levels, distances, etc. to exemplify the various embodiments of the present invention. It should be kept in mind that these are provided by way of example only, and any suitable power level, number of levels, effective distance, etc. can be used, as will be apparent to one skilled in the art.

20 As mentioned above, RFID tag readers can significantly reduce system noise caused by "hot" tag backscatter and other background clutter by sequentially stepping or ramping the reader power to full FCC levels instead of just going immediately to a full power level. FIG. 5 illustrates the general method **500** performed by a reader according to one embodiment. In operation **502**, the reader selects a first power level. Then, in operation **504**, the reader singulates some or all tags of the nearby tags that are responding with adequate backscatter. Any desired communications with the tags are conducted in optional operation **506**. These nearby tags are then instructed to change state in operation **508**. The change in state can be from an active mode to a sleep or hibernate mode. The change in state can also be from a responsive state to a nonresponsive state. In the latter scenario, the tag can merely not respond, the antenna can be detached from the chip, etc. When sleeping or in a nonresponsive state, the tags will not actively backscatter in response to subsequent command, and so will not jam communications of other
30 devices.

The tags can remain in a particular state until instructed to again change state, receiving an activate command, etc. The tags can also automatically revert an active state after a period of time has elapsed, as described in copending and commonly owned US Patent Application entitled "ACCURATE PERSISTENT NODES", filed May 6, 2005
5 under Serial No. 11/124,485, and which is herein incorporated by reference.

In operation **510**, the reader then increases its power output level to interrogate more distant tags. Because the closest tags have already been put to sleep or otherwise commanded to be nonresponsive, the "hot tag" problem is not present. Operations **504-510** are repeated until and including when the reader reaches its full power, the maximum
10 power allowed by law or regulation, or some other maximum desired level.

In a preferred embodiment, the readers of passive Class-1 G-2 tags operate at 3 power output levels of 100 mW EIRP, 1 W EIRP, and 4 W EIRP. The time period that the reader remains at each level can be about uniform, or can vary from power level to power level. For instance, it may be advantageous to spend more time at the 1 W level
15 than the 100 mW level, as the effective communication area at the 1 W level is greater than at the 100 mW level. Similarly, more time can be spent at the 4 W level than at the 1 W level. The time spent at each power level can also be dependent upon the number of responding tags or the result of its protocol search. For example, the reader may step to the next power level immediately or only upon communicating with each tag effectively
20 responding at the current power level, rather than spending a fixed time at each level.

The reader itself can select the power levels and/or how long to remain at each power level. A backend system can also instruct the reader as to which power levels to use and/or how long to remain at each power level based on a predetermined protocol or dynamic factors such as responses from one or more of the readers. The backend system
25 can be a local or remote server for instance, and can be connected to one or more readers. Such servers are typically referred to reader network coordinators where several readers are in communication therewith.

FIG. 6 illustrates an illustrative RFID system **600**. In this example, Reader #1 **602** initiates communication with the tags **604** at the 100 mW output level. Since the typical
30 tag requires less than 10 μ W of power to operate and respond to the reader, Reader #1

602 will successfully select and singulate all of the close-in tags out to a range of about 1.5 meters, indicated by circle 606. Reader #1 602 then puts all of these tags 604 to sleep (or moves them from the A-state to the B-state) to prevent them from responding to its subsequent interrogations.

5 Tag-1's backscatter has thus been reduced by the Reader #1 power ratio from 4W to 0.1W. Accordingly, in one embodiment, the backscatter is reduced from 400X the minimum operable backscatter level to 10X, as calculated by $400X/(4W_{\max}/0.1W_{\text{actual}}) = 10X$. This translates to a reduction in the jamming range to Reader #2 612 from 600 meters to only about 100 meters.

10 Reader #1's forward link interference to adjacent tags has also been reduced by a factor of 6 due to the lower transmission power. This is particularly beneficial where readers are in close proximity with each other. In this situation, the less time the reader is operating at full power, the better.

Next, Reader #1 602 raises its output level to 1W as necessary to successfully
15 select and singulate all of the close-in tags 608 out to a range of about 5 meters, indicated by circle 610. Note however, that since all tags closer 604 than 1.5 m have already been put to sleep, another tag located 1.5m from Reader #1 backscatters no more energy even at 1W than a tag would at 0.1W at 0.5m range. The jamming range to Reader #2 612 therefore remains reduced at 100 meters or less. Reader #1 602 then puts all of these tags
20 608 to sleep (or moves them from the A-state to the B-state) to prevent them from responding to its subsequent interrogations.

Finally Reader #1 602 uses its full 4W effective power level to communicate with tags 614 at its maximum 10m range, represented by circle 616. Note however, that since all tags 604, 608 closer than 5 m have already been put to sleep, another tag located 5m
25 from Reader #1 backscatters no more energy even at 4W than a tag 604 did at 0.1W at 0.5m range. The jamming range to Reader #2 612 therefore remains at 100 meters or less (10X the maximum effective communication range of Reader #1 and Reader #2) compared to the 600 meter jamming and interference that would otherwise occur. Reader #1 602 then puts all of these tags to sleep or moves them from the A-state to the B-state
30 as necessary to complete its inventory of the tags.

Preferably, the variation in backscattering power levels of the RF devices located within a maximum effective communication range of Reader #1 never exceeds a ratio of 100:1 maximum to minimum backscattering power level, and preferably is about 10:1 or less.

5 The reader can thereby control and limit the strength of the tag backscatter to minimize the jamming effect this otherwise could have on nearby tags and readers operating within the same channel. This operating method has reduced the area over which readers will jam each other by more than 97%. Jamming of the forward link between other readers and tags has also been significantly reduced, typically by about
10 50% assuming that Reader #1 spends approximately equal time in each of its three different output power levels.

It should also be clear to those skilled in the art, that this technique will provide an even greater benefit in long-range battery-assisted Class-3 tag systems. For example, a five-power-level Class-3 reader can operate at output power levels of, for example, 1
15 mW, 10mW, 100 mW, 1W, and 4W. This in turn reduces the "hot-tag" backscatter jamming effect of tag-3 on tag-4 from a 60,000m range to less than a 1000m range in a system where Class-3 tag-3 is located 0.5m from Reader #3 and a Class-3 tag-4 is located 100 meters from Reader #4.

Further, by being able to select the reader power level, the optimal power level for
20 talking to the tag can be chosen. Thus, problems such as overdriving and underdriving the tags can be avoided.

An additional benefit is that the system can be programmed to communicate with any tag, regardless of protocol or manufacturer. Because power level selection can be performed on the reader in software, the tags do not have to be specifically designed to
25 operate with the reader. Rather, the reader can find a power level best suited to communications with a particular tag by simply varying the power level until it finds a suitable communications level.

It is also clear to those skilled in the art that the reader could also ramp its output power in a continuous analog manner instead of the series of discrete steps described
30 herein. In this case, the reader preferably singulates tags as it encounters responses with

adequate backscatter from them. The speed with which the reader ramps can be fixed. The speed can also be varied based on a number of responses being received. The speed that the power ramps up can also slow down as the power increases, as in a case where the ramping speed is slowed in proportion to the increase in effective communication area as the power increases.

The reader can also perform a combination of continuous power ramping and stepping. For example, the reader can gradually and continuously ramp from a first to a second power level, then step to a third power level, then step to a fourth power level and gradually and continuously ramp to a fifth power level.

Listen Before Talk Mode

An extension of the present invention, useable in combination with the ramped interrogator power levels, or as a standalone feature, is what is referred to herein as "listen before talk."

Modern systems have much higher dynamic range than earlier generations. For instance, one RFID tag reader currently in development by the assignee hereof has a dynamic range of about 150 dB. Current readers have a dynamic range of only about 60 dB. Because the reception capability of the new generation of readers will be greatly improved, the chance for crosstalk interference is greater, even with a ramped power level scheme. The problem is exacerbated in high tag density or high reader density situations.

Assume the following scenario. A warehouse has 20 dock doors, each one 10 feet wide and spaced 10 feet apart. FIG. 7 illustrates two such doors **D1**, and **D2** and associated RFID tag reader sets. Each reader set may include multiple readers **700**, **702** that communicate together, or that communicate independently of one another. Alternatively, each door may have only a single reader.

In this example, RFID tag readers **700**, **702** are placed along both sides and along the top edge of the door frame in order to quickly scan pallets of tagged goods passing through the door. The readers **700**, **702** are all transmitting simultaneously, and so the signals overlap each other. Even if the readers transmit only periodically, there will be

times when the signals overlap. The problem is that backscatter from tags passing through door **D1** will be picked up by the readers **702** on door **D2**. This will interfere with any communications that the readers **702** on door **D2** are trying to have, and the readers **702** on door **D2** may even think that the tags are passing through door **D2**. Further, 5 backscatter from the readers **702** on door **D2** interfere with the readers **700** on door **D1**, perhaps making them unable to read the tags passing through door **D1**.

The proposed solution is to implement a listen before talk mode. In one embodiment, described in terms of the example of FIG. 7, the readers **700**, **702** listen for any carrier signal being transmitted. If none is present, readers **700** send out a burst in an attempt to detect any nearby tags. If tags respond, the readers **700** read the tags. Any 10 other readers **702** in the vicinity will detect the carrier signal of readers **700** and wait to transmit so that the signals do not overlap temporally.

The readers can transmit their queries randomly. Because the queries are typically a fraction of a second, all readers in the vicinity should be able to query frequently 15 enough to detect any tags passing thereby. In this way, multiple readers in the dock door scenario would be able to function semi-concurrently without having to be interconnected.

FIG. 8 illustrates a general method **800** performed by a reader in a listen then talk mode. In operation **802**, the reader listens for a signal that could potentially or is known 20 to interfere with the reader's communications. Such signals typically would include signals from other readers and associated tag backscatter, but could also include other types of interfering signals such as walkie-talkie signals, etc. If such a signal is present, the reader waits for a period of time in operation **804** before listening again. The period of time can be preselected, such as 10 microseconds, 50 microseconds, etc. The period of 25 time can also be randomly selected, such as based on a random number, but should be within some predetermined range, for example, less than about 1 second, 5 seconds, etc. If no signal is detected, then, in operation **806**, a query burst is transmitted to determine if any tags are present. If there is no response, the reader again waits for a period of time (operation **804**) prior to listening again (operation **802**). If one or more tags respond, the

power level can be adjusted in optional operation **808**. In operation **810**, the reader communicates with the tag(s). Then the process repeats.

In another embodiment, the readers can all be connected to a backend system such as a network coordinator that coordinates when the readers transmit query bursts and/or communicate with tags. Because the system coordinator knows when a reader is talking, the listen function need not be implemented. However, the system coordinator could merely indicate the period of time the readers should wait between queries. This system can ensure that all readers operate in an ordered or pseudo-random fashion, which may be desirable in a high reader density and/or high tag density situation where tags are rapidly moving past readers.

Again, the listen before talk mode can also include ramping the power levels of the readers. For example, in an extension of the embodiment of the previous paragraph, the sending of queries by a plurality of RFID interrogators can be coordinated such that the queries do not temporally overlap each other. The power level of one of the interrogators communicating with an RF device can be adjusted such that the communications do not interfere with simultaneously performed queries. Alternatively or in combination therewith, the power level of any interrogators sending queries can be adjusted such that the queries do not interfere with the simultaneously performed communication between one of the interrogators and an RF device.

While various embodiments have been described above, it should be understood that they have been presented by way of example only, and not limitation. Thus, the breadth and scope of a preferred embodiment should not be limited by any of the above-described exemplary embodiments, but should be defined only in accordance with the following claims and their equivalents.

CLAIMS

What is claimed is:

- 1 1. A method for communicating with a plurality of radio frequency (RF) devices,
2 comprising:
3 transmitting a first signal at a first power level;
4 interrogating RF devices responding to the first signal;
5 instructing the responding RF devices to change state; and
6 transmitting a second signal at a second power level higher than the first power
7 level,
8 wherein one or more of the RF devices responding to the first signal do not
9 respond to the second signal upon changing state.
- 1 2. The method of claim 1, wherein the second power level is a maximum power
2 level allowed by law.
- 1 3. The method of claim 1, further comprising interrogating RF devices responding to
2 the second signal, instructing the RF devices responding to the second signal to
3 change state, and transmitting a third signal at a third power level higher than the
4 second power level.
- 1 4. The method of claim 3, wherein the third power level is a maximum power level
2 allowed by law.
- 1 5. The method of claim 1, wherein the RF devices responding to the first signal enter
2 a sleep mode upon changing state.
- 1 6. The method of claim 1, wherein the RF devices responding to the first signal enter
2 a nonresponsive mode upon changing state.

- 1 7. The method of claim 1, wherein the first power level is selected to provide a
2 predetermined effective interrogation range from a transmitter transmitting the
3 signals, wherein the second power level is selected to provide a larger
4 predetermined effective interrogation range from a transmitter transmitting the
5 signals.
- 1 8. The method of claim 1, wherein a time period of transmission of the first signal is
2 about the same as a time period of transmission of the second signal.
- 1 9. The method of claim 1, wherein a time period of transmission of the first signal is
2 different than a time period of transmission of the second signal.
- 1 10. The method of claim 1, wherein a time period of transmission of the first signal is
2 dependent upon a result of a protocol search.
- 1 11. The method of claim 10, wherein the time period of transmission of the first
2 signal is dependent upon a number of the RF devices responding to the first
3 signal.
- 1 12. The method of claim 1, wherein a variation in a backscattering power level of the
2 RF devices located within a maximum effective communication range is less than
3 about 100:1.
- 1 13. The method of claim 1, wherein a backend system selects an amount of time to
2 remain at each power level.
- 1 14. The method of claim 1, wherein a backend system selects each power level.
- 1 15. The method of claim 1, wherein a Radio Frequency Identification (RFID) reader
2 performs the method, wherein the RF devices are RFID tags.

- 1 16. A method for communicating with a plurality of radio frequency (RF) devices,
2 comprising:
3 transmitting a signal at a first power level;
4 continuously increasing the signal to a second power level;
5 interrogating RF devices responding to the signal;
6 instructing at least some of the responding RF devices to change state such that
7 the RF devices do not respond to the signal upon changing state.
- 1 17. The method of claim 16, wherein the RF devices responding to the first signal
2 enter a sleep mode upon changing state.
- 1 18. The method of claim 16, wherein the RF devices responding to the first signal
2 enter a nonresponsive mode upon changing state.
- 1 19. The method of claim 16, further comprising stepping to a third power level
2 greater than the second power level.
- 1 20. The method of claim 16, further comprising initially transmitting at a third power
2 level smaller than the first power level and stepping to the first power level.
- 1 21. The method of claim 16, wherein a speed that the power level is increased from
2 the first to the second power level is about constant.
- 1 22. The method of claim 16, wherein a speed that the power level is increased from
2 the first to the second power level varies.
- 1 23. The method of claim 16, wherein a time period of transmission at the first power
2 level is dependent upon a number of the RF devices responding to the first signal.

- 1 24. The method of claim 16, wherein a variation in a backscattering power level of
2 the RF devices located within a maximum effective communication range is less
3 than about 100:1.
- 1 25. The method of claim 16, wherein a backend system selects an amount of time
2 before the power level is increased from the first to the second power level.
- 1 26. The method of claim 16, wherein an RFID reader performs the method, wherein
2 the RF devices are RFID tags.
- 1 27. A method for communicating with a plurality of radio frequency (RF) devices,
2 comprising:
3 transmitting a series of signals, each sequential signal being transmitted at an
4 increased power level; and
5 at each power level:
6 singulating RF devices responding to the signal;
7 instructing the responding RF devices to change to an unresponsive state.
- 1 28. The method of claim 27, wherein the unresponsive state is a sleep mode.
- 1 29. The method of claim 27, wherein a time period of transmission of each signal is
2 about the same.
- 1 30. The method of claim 27, wherein a time period of transmission of each signal is
2 different.
- 1 31. The method of claim 27, wherein a time period of transmission of each signal is
2 dependent upon a result of a protocol search.

- 1 32. The method of claim 27, wherein a variation in a backscattering power level of
2 the RF devices located within a maximum effective communication range is less
3 than about 100:1.
- 1 33. The method of claim 27, wherein a backend system selects an amount of time to
2 remain at each power level.
- 1 34. The method of claim 27, wherein a backend system selects each power level.
- 1 35. The method of claim 27, wherein a Radio Frequency Identification (RFID) reader
2 performs the method, wherein the RF devices are RFID tags.
- 1 36. The method of claim 27, wherein a backend system controls performance of the
2 method, wherein the RF devices are RFID tags.
- 1 37. A system for communicating with a plurality of radio frequency (RF) devices,
2 comprising:
3 a first reader;
4 a second reader spaced apart from the first reader;
5 a plurality of first tags closer to the first reader than the second reader;
6 a plurality of second tags closer to the second reader than the first reader;
7 wherein the first reader uses a combination of varying a transmitting power level
8 when communicating with the first tags and instructing the first tags to
9 become nonresponsive such that backscatter signals from the first tags
10 received by the second reader are always less than a minimum effective
11 backscatter signal from any second tag at the second reader.
- 1 38. A system for communicating with a plurality of radio frequency (RF) devices,
2 comprising:
3 a first reader having a first effective communication range;

4 a second reader spaced apart from the first reader and having a second effective
5 communication range;
6 a plurality of first tags closer to the first reader than the second reader;
7 a plurality of second tags closer to the second reader than the first reader;
8 wherein the first reader uses a combination of varying a transmitting power level
9 when communicating with the first tags and instructing the first tags to
10 become nonresponsive such that the first reader and the second reader are
11 operable in a same communications channel at a distance from each other
12 of about 10 times the first effective communications range.

1 39. A system for communicating with a plurality of radio frequency (RF) devices,
2 comprising:
3 a first reader having a first effective communication range;
4 a second reader spaced apart from the first reader and having a second effective
5 communication range;
6 a plurality of first tags closer to the first reader than the second reader;
7 a plurality of second tags closer to the second reader than the first reader;
8 wherein the first reader uses a combination of varying a transmitting power level
9 when communicating with the first tags and instructing the first tags to
10 become nonresponsive such that the first reader and the second reader are
11 operable in a same communications channel at a distance from each other
12 of about 10 times the second effective communications range.

1 40. A radio frequency (RF) reader configured to sequentially control its output levels
2 in coordination with interrogation of tags.

1 41. A radio frequency (RF) system, comprising:
2 a plurality of RF readers;
3 a plurality of RF tags in communication with the readers;

4 a reader network coordinator that controls and coordinates a multiplicity of RF
5 readers to minimize backscatter jamming between the tags and the readers.

1 42. A radio frequency (RF) system, comprising:
2 a plurality of RF readers;
3 a plurality of RF tags in communication with the readers;
4 a reader network coordinator that controls and coordinates a multiplicity of RF
5 readers to minimize forward link jamming between the tags and the
6 readers.

1 43. A reader that controls both a variable output level thereof and a protocol such that
2 the output level depends on a result of a protocol search.

1 44. A method for communicating with radio frequency (RF) devices, comprising:
2 listening for a signal;
3 if no signal is present, sending a query;
4 interrogating RF devices responding to the query.

1 45. The method of claim 44, further comprising, if a signal is detected during the
2 listening, waiting for a period of time and repeating the method.

1 46. The method of claim 45, wherein the period of time is a random value.

1 47. The method of claim 44, further comprising waiting for a period of time and
2 repeating the method if no RF device respond to the query.

1 48. The method of claim 47, wherein the period of time is a random value.

1 49. The method of claim 44, further comprising adjusting a power level used during
2 the interrogation from a first level to a second level.

- 1 50. The method of claim 44, wherein a Radio Frequency Identification (RFID) reader
2 performs the method, wherein the RF devices are RFID tags.
- 1 51. The method of claim 44, wherein a backend system determines when to listen for
2 the signal.
- 1 52. A method for communicating with Radio Frequency Identification (RFID)
2 devices, comprising:
3 coordinating sending of queries by a plurality of RFID interrogators such that the
4 queries do not temporally overlap each other;
5 further coordinating sending of the queries by the plurality of RFID interrogators
6 such that the queries do not temporally overlap with a communication
7 between one of the interrogators and an RF device.
- 1 53. A method for communicating with Radio Frequency Identification (RFID)
2 devices, comprising:
3 coordinating sending of queries by a plurality of RFID interrogators such that the
4 queries do not temporally overlap each other;
5 adjusting a power level of one of the interrogators communicating with an RF
6 device such that the communication do not interfere with simultaneously
7 performed queries.
- 1 54. A method for communicating with Radio Frequency Identification (RFID)
2 devices, comprising:
3 coordinating sending of queries by a plurality of RFID interrogators such that the
4 queries do not temporally overlap each other;
5 adjusting a power level of the interrogators sending queries such that the queries
6 do not interfere with a simultaneously performed communication between
7 one of the interrogators and an RF device.

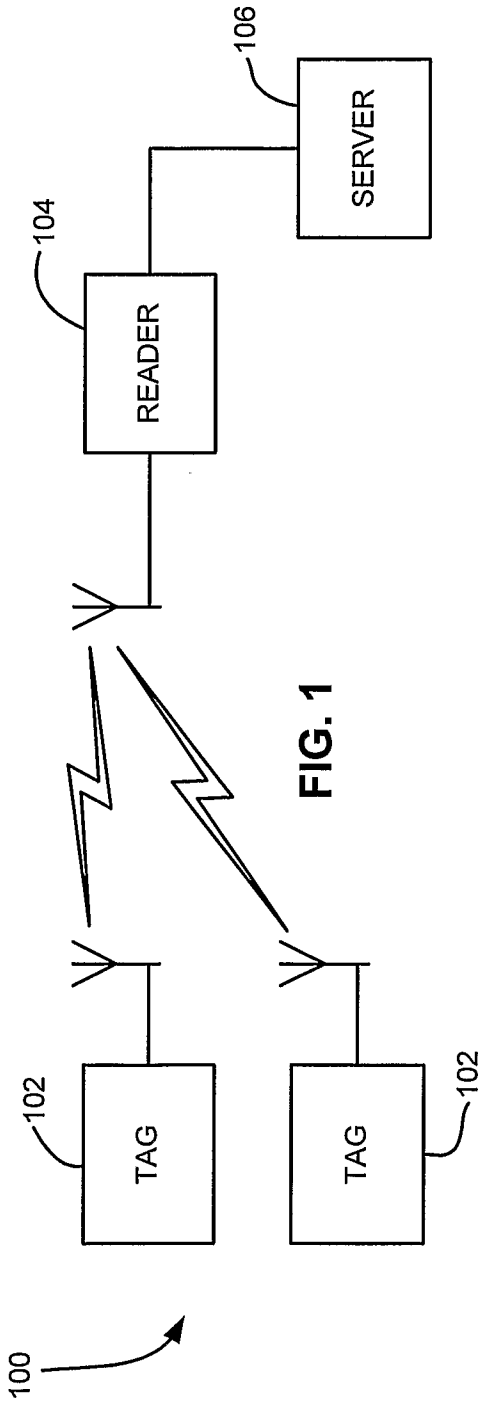


FIG. 1

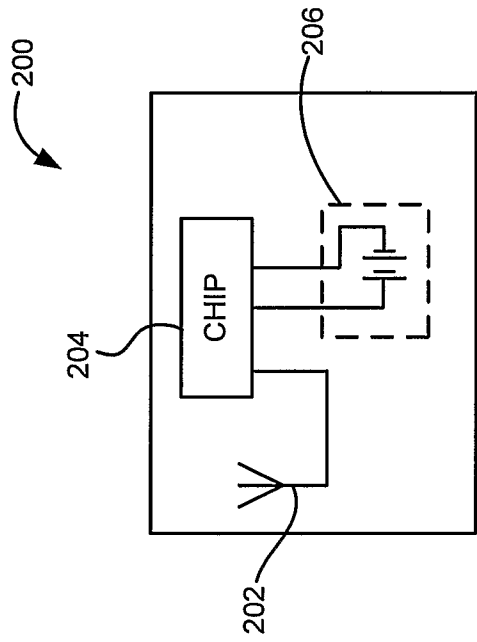


FIG. 2



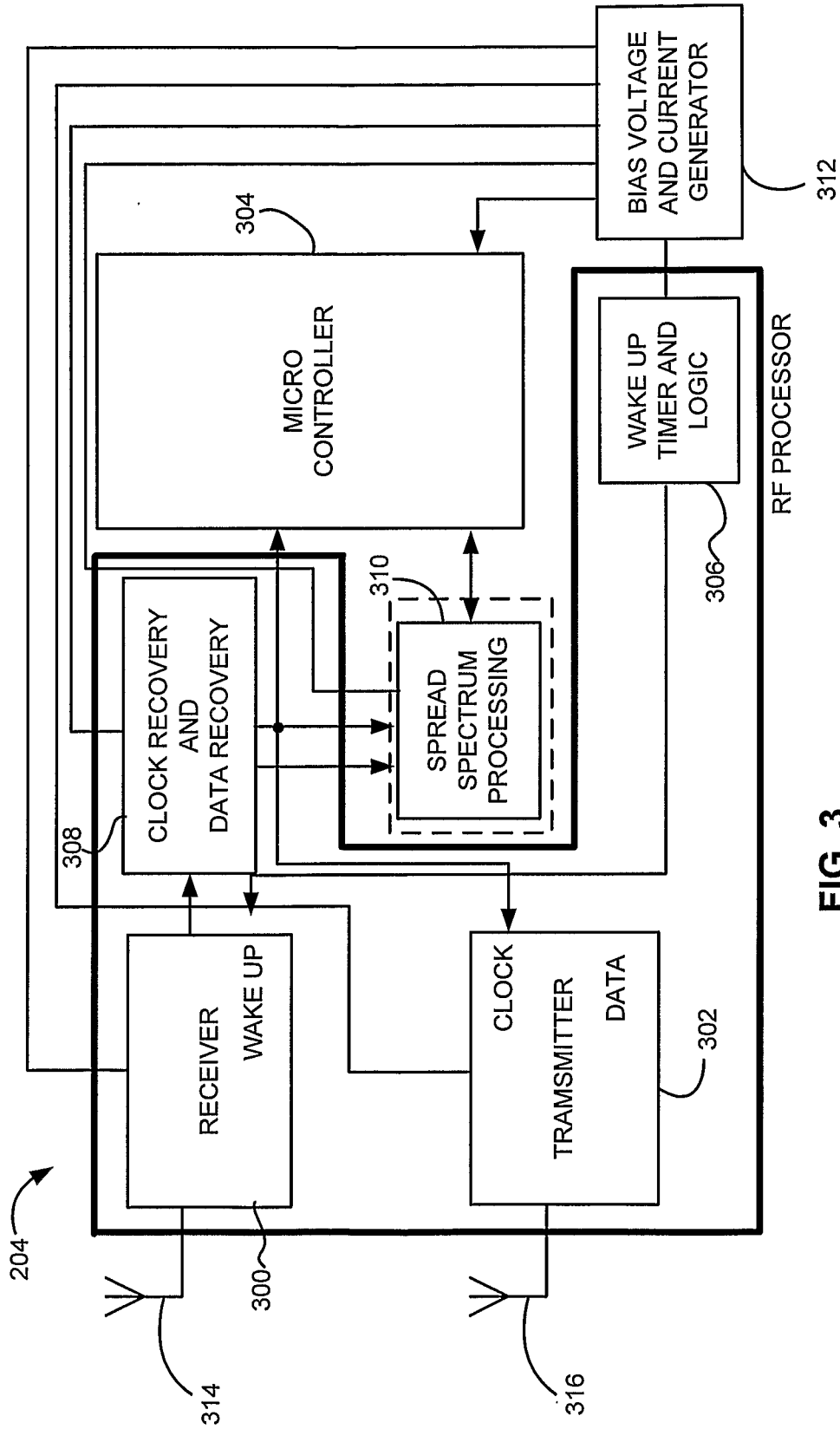


FIG. 3

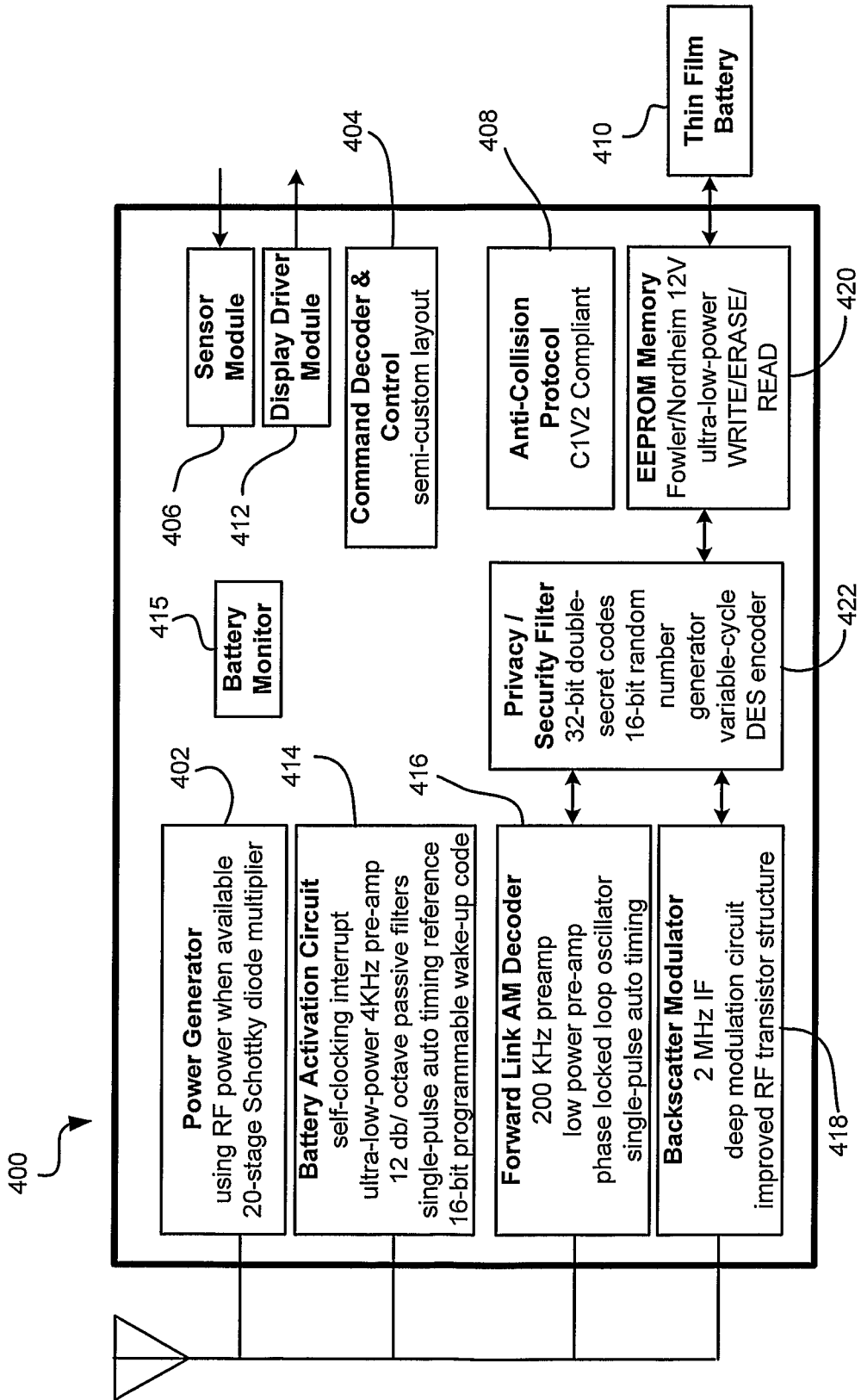


FIG. 4



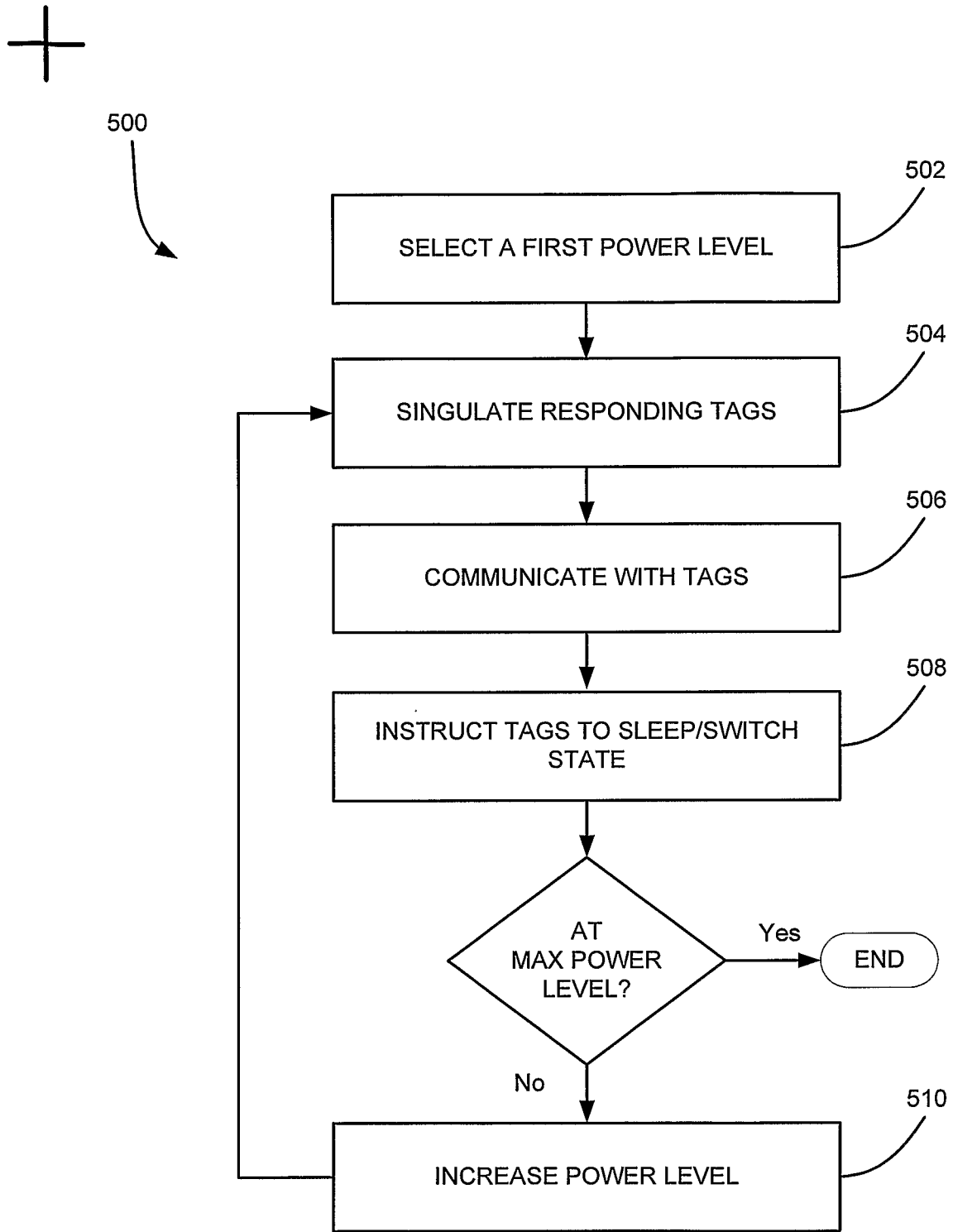


FIG. 5

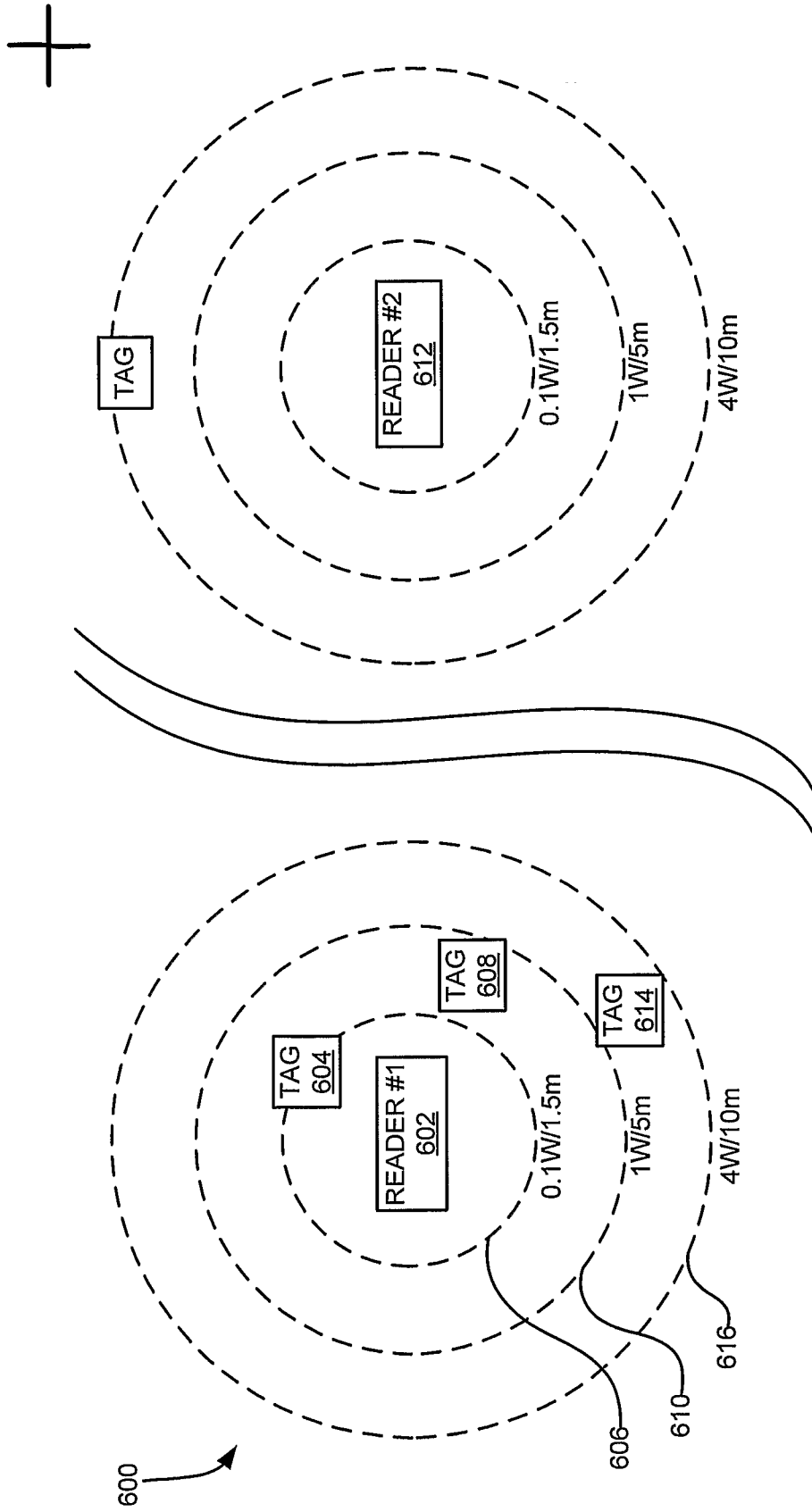


FIG. 6

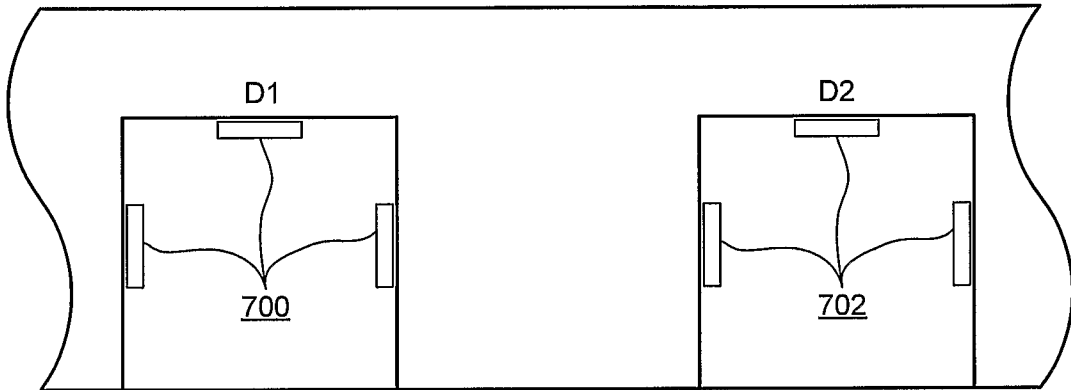


FIG. 7



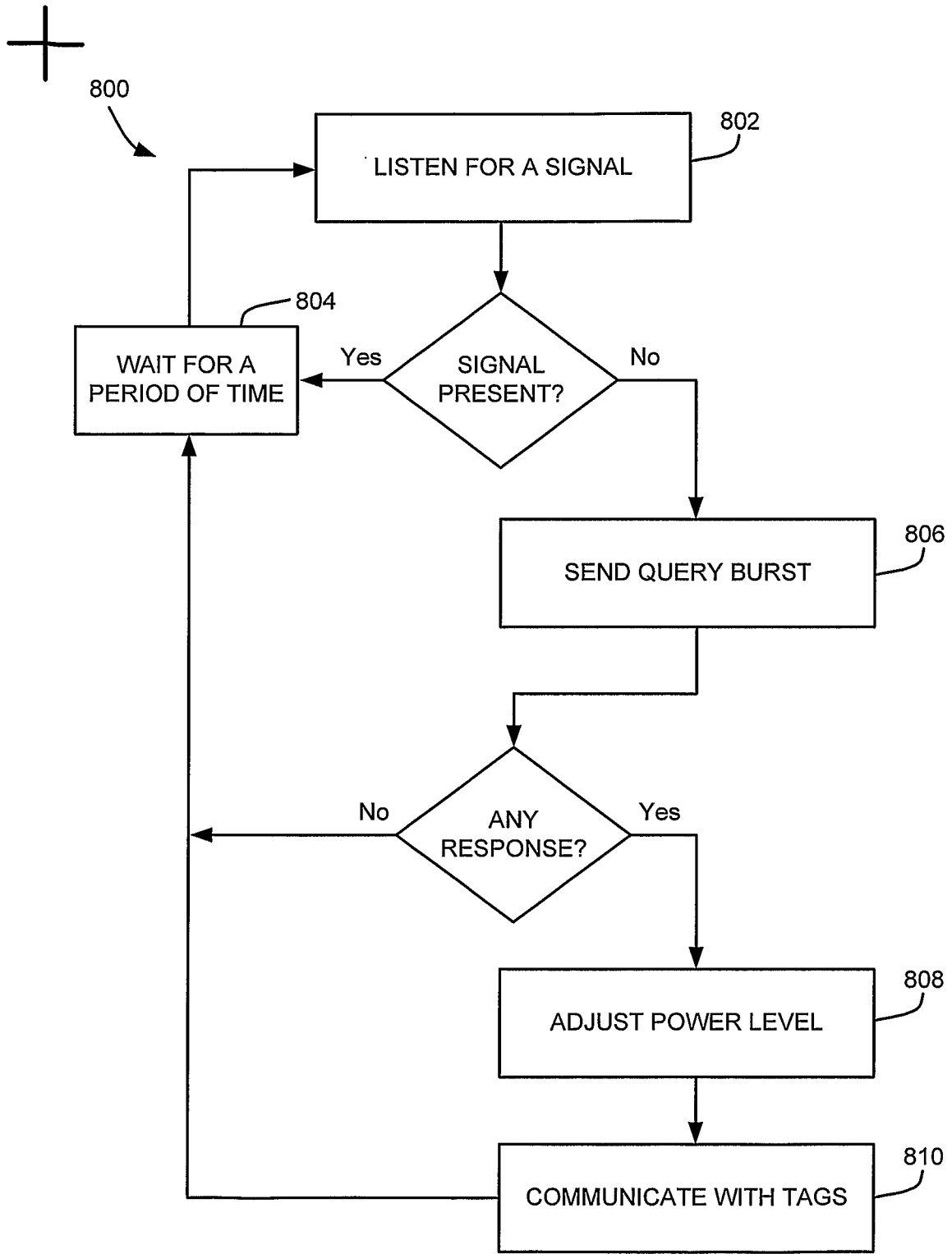


FIG. 8