



US00D471281S

(12) **United States Design Patent** (10) **Patent No.:** **US D471,281 S**  
**Baura et al.** (45) **Date of Patent:** **\*\* Mar. 4, 2003**

(54) **ELECTRODE FOR USE ON A LIVING SUBJECT**

5,511,548 A \* 4/1996 Riazzi et al. .... 128/641  
5,895,298 A 4/1999 Faupel et al.  
D429,337 S \* 8/2000 Sanfilippo ..... D24/187  
6,141,575 A 10/2000 Price

(75) Inventors: **Gail D. Baura**, San Diego, CA (US);  
**Kevin Brian Wagner**, Chula Vista, CA (US);  
**Paul Ronald Jansen**, San Diego, CA (US);  
**Richard Eugene Traylor**, Scottsdale, AZ (US)

**OTHER PUBLICATIONS**

ConMed Corporation Positrace ECG Electrode (Exhibit "A" consisting of five pages), Jun. 1998.  
Wantagh, Incorporated, "Noninvasive Continuous Hemodynamic Patient Monitoring System—Operator's Manual," (picture of two electrodes), p. 37 only (date unknown).  
Lead-Lok, Inc., (Aug. 8, 1998), Final Production Specifications consisting of two (2) pages.

(73) Assignee: **CardioDynamics International Corporation**, San Diego, CA (US)

(\*\*) Term: **14 Years**

\* cited by examiner

(21) Appl. No.: **29/151,208**

*Primary Examiner*—Stella Reid

(22) Filed: **Oct. 31, 2001**

(74) *Attorney, Agent, or Firm*—Gazdzinski & Associates

**Related U.S. Application Data**

(57) **CLAIM**

(63) Continuation of application No. 09/613,183, filed on Jul. 10, 2000.

The ornamental design for an electrode for use on a living subject, as shown and described.

(51) **LOC (7) Cl.** ..... **24-01**

**DESCRIPTION**

(52) **U.S. Cl.** ..... **D24/187**

(58) **Field of Search** ..... D24/187; 600/382, 600/383, 384, 391, 392, 393, 372; 607/152, 153, 148, 149

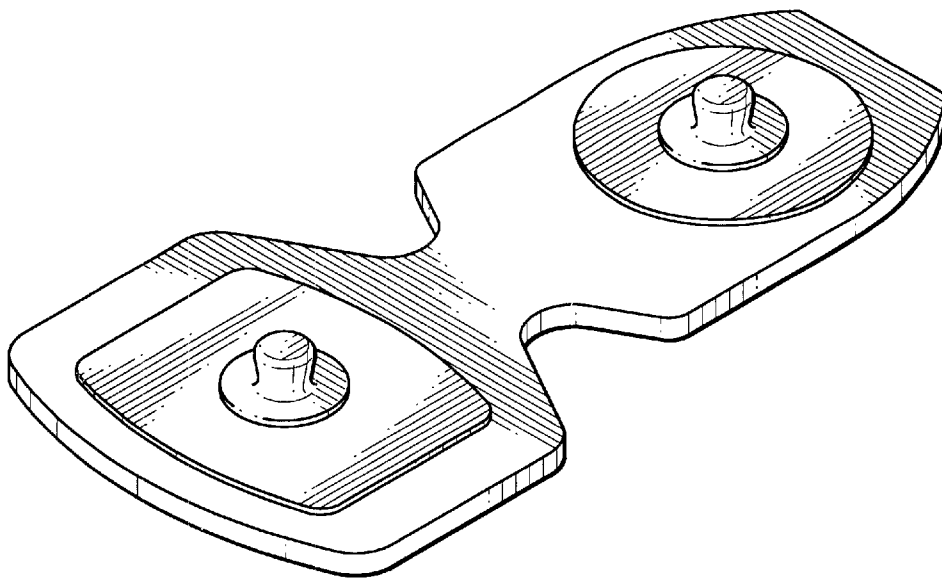
FIG. 1 is a top perspective view of an electrode for use on a living subject showing our new design;  
FIG. 2 is a top plan view of the electrode of FIG. 1;  
FIG. 3 is a bottom plan view thereof;  
FIG. 4 is a side view thereof;  
FIG. 5 is a front view thereof;  
FIG. 6 is a rear view thereof; and,  
FIG. 7 is a top perspective view of the electrode of FIG. 1 mounted on a protective electrode carrier which is being shown in broken lines for illustrative purposes only and forming no part of the claimed design.

(56) **References Cited**

**U.S. PATENT DOCUMENTS**

RE30,101 E 9/1979 Kubicek et al.  
4,617,935 A \* 10/1986 Cartmell et al. .... 128/641  
4,777,954 A \* 10/1988 Keusch et al. .... 128/640  
4,945,911 A \* 8/1990 Cohen et al. .... 128/640  
5,184,620 A 2/1993 Cudahy et al.  
5,402,780 A \* 4/1995 Faasse, Jr. .... 128/641  
5,427,096 A \* 6/1995 Bogusiewicz et al. .... 128/639

**1 Claim, 3 Drawing Sheets**



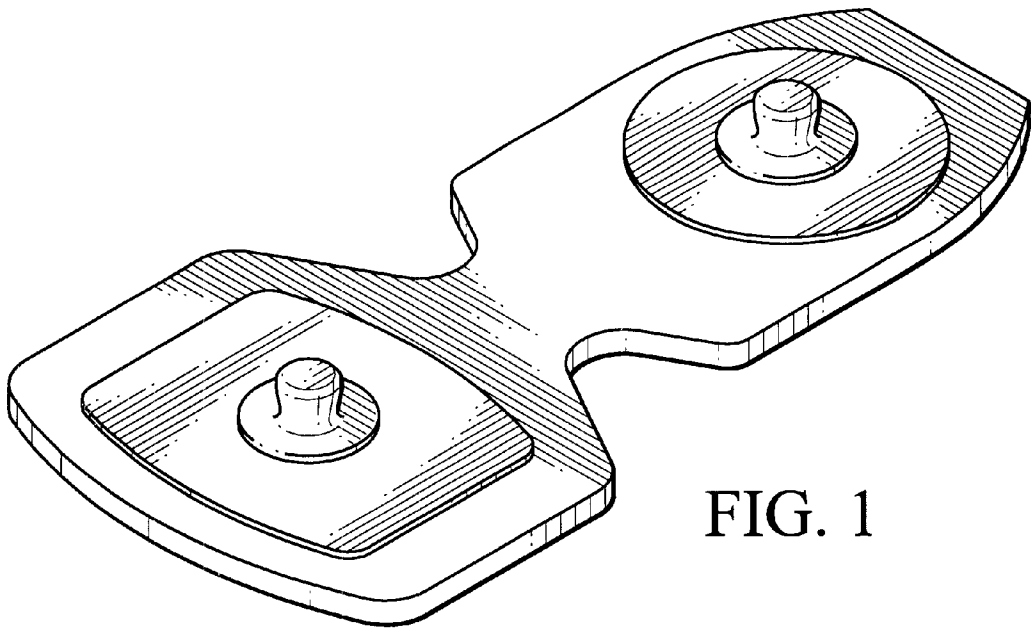


FIG. 1

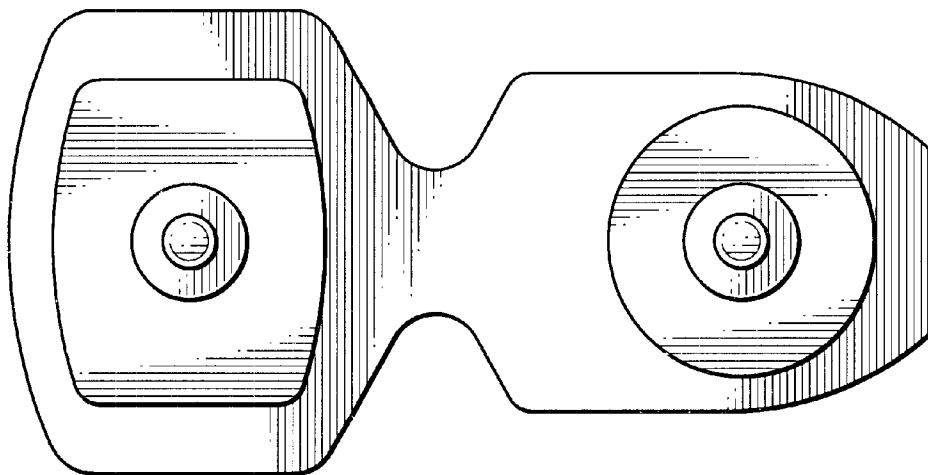


FIG. 2

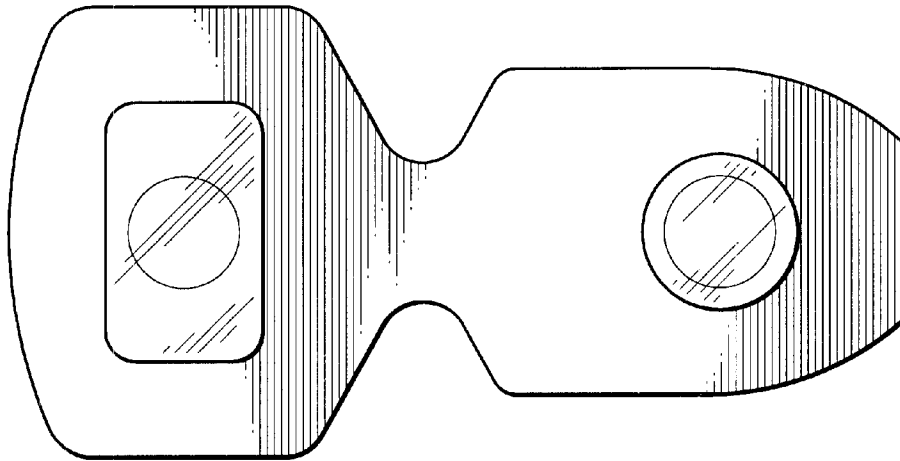


FIG. 3

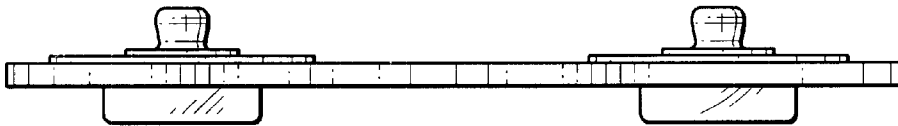


FIG. 4

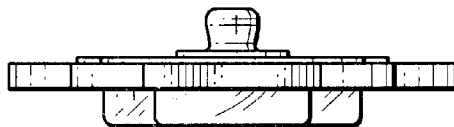


FIG. 5

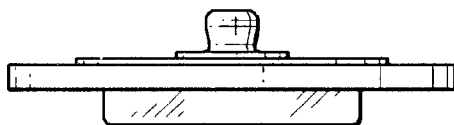


FIG. 6

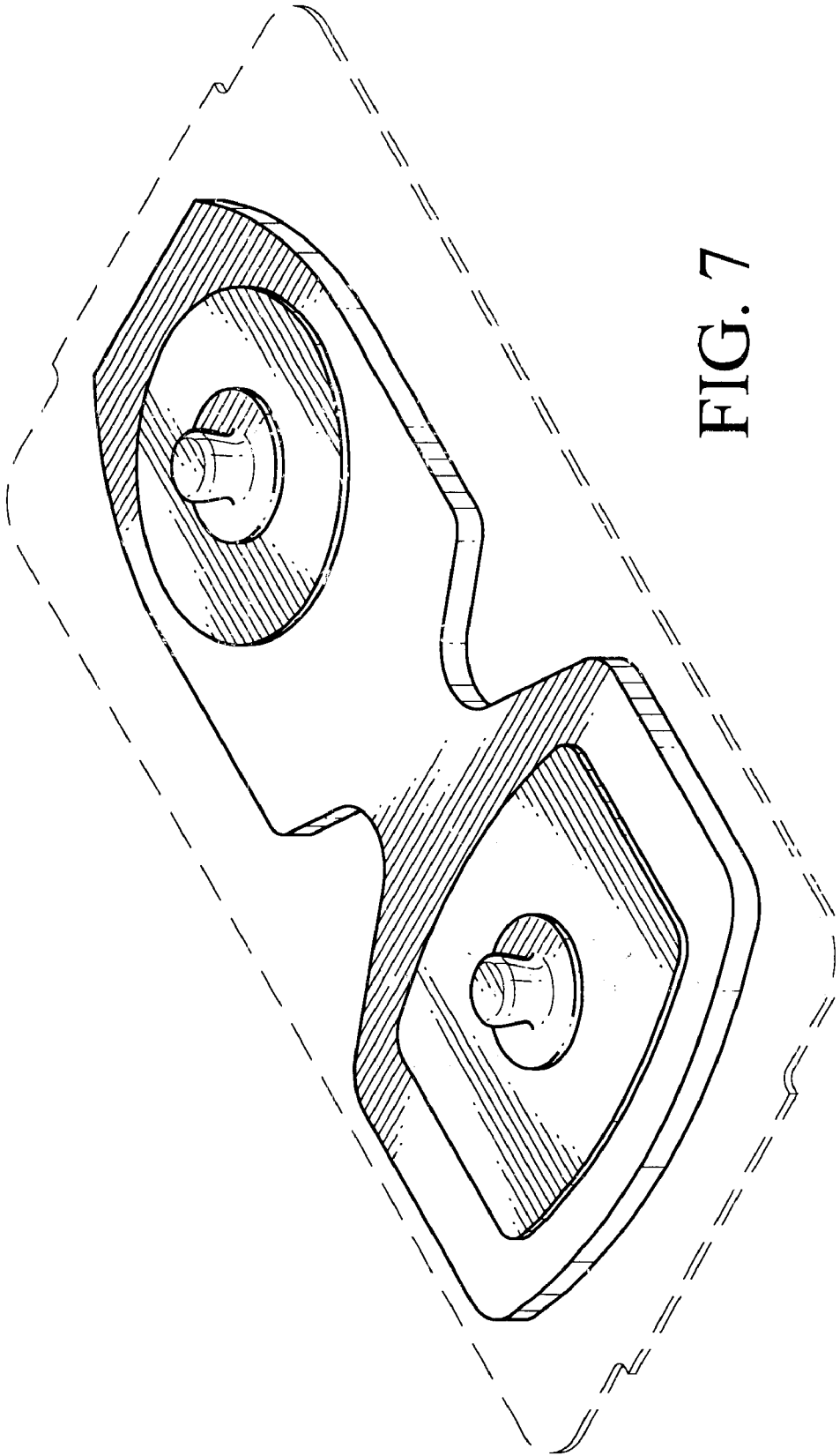


FIG. 7