



US00D810511S

(12) **United States Design Patent**  
**Harrington, III et al.**

(10) **Patent No.:** **US D810,511 S**  
(45) **Date of Patent:** **\*\* Feb. 20, 2018**

- (54) **CUP**
- (71) Applicant: **SIC Products LLC**, Jacksonville, FL (US)
- (72) Inventors: **Robert H Harrington, III**, Jacksonville, FL (US); **Erik D Howe**, Naples, FL (US)
- (73) Assignee: **SIC Products, LLC**, Jacksonville, FL (US)
- (\*\*) Term: **15 Years**
- (21) Appl. No.: **29/573,436**
- (22) Filed: **Aug. 5, 2016**
- (51) **LOC (11) Cl.** ..... **07-01**
- (52) **U.S. Cl.**  
USPC ..... **D7/511; D7/510**
- (58) **Field of Classification Search**  
USPC ..... D7/392.1, 396.2, 509-511, 538, 619.1; D9/777, 778, 779, 780; D34/1  
CPC ..... A47G 19/22; A47G 19/2216  
See application file for complete search history.

D690,988 S *	10/2013	Audette	.....	D7/392.1
D729,581 S *	5/2015	Boroski	.....	D7/510
D751,341 S *	3/2016	Seiders	.....	D7/396.2
2015/0250340 A1*	9/2015	Liu	.....	B65D 43/02 220/254.9
2016/0001915 A1*	1/2016	Wiggins	.....	B65D 1/165 206/508

**OTHER PUBLICATIONS**

Cupl Yeti 20 oz Tumbler Lid| posted at Amazon.com, posted on Jul. 11, 2016, © 1996-2017 Amazon.com, [online], [site visited Jun. 31, 2017]. Available from Internet, <URL: [https://www.amazon.com/Tumbler-Yeti-Rambler-Lowball-Tumblers/dp/B01190QJSO/ref=sr\\_l\\_9?ie=UTF8&qid=1499521648&sr=8-9&keywords=yeti+tumbler+lid](https://www.amazon.com/Tumbler-Yeti-Rambler-Lowball-Tumblers/dp/B01190QJSO/ref=sr_l_9?ie=UTF8&qid=1499521648&sr=8-9&keywords=yeti+tumbler+lid)>.\*

\* cited by examiner

*Primary Examiner* — Daniel Bui  
*Assistant Examiner* — Andrew Kerr  
(74) *Attorney, Agent, or Firm* — Bond, Schoeneck & King, PLLC

(57) **CLAIM**  
The ornamental design for a cup, as shown and described.

**DESCRIPTION**

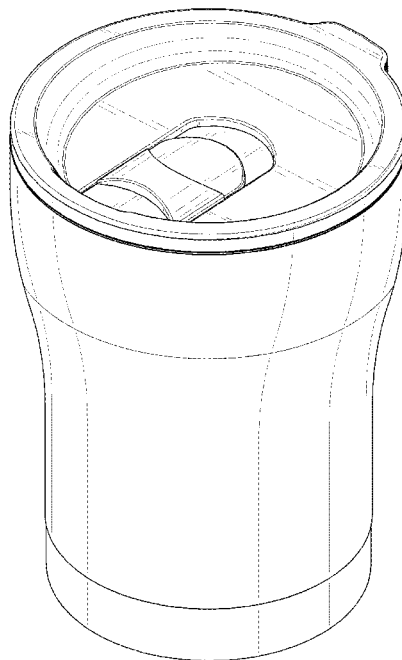
FIG. 1 is a perspective view of a cup, showing our new design;  
FIG. 2 is a reverse side view of the cup shown in FIG. 1;  
FIG. 3 is a front side view of the cup shown in FIG. 1;  
FIG. 4 is a left side view of the cup shown in FIG. 1;  
FIG. 5 is a right side view of the cup shown in FIG. 1;  
FIG. 6 is a top view of the cup shown in FIG. 1; and,  
FIG. 7 is a bottom view of the cup shown in FIG. 1.

**1 Claim, 7 Drawing Sheets**

(56) **References Cited**

**U.S. PATENT DOCUMENTS**

D535,151 S *	1/2007	Seum	.....	D7/510
D536,213 S *	2/2007	Schuler	.....	D7/392.1
D546,706 S *	7/2007	Ioannides	.....	D9/776
D569,183 S *	5/2008	Blake	.....	D7/509
D577,259 S *	9/2008	Seum	.....	D7/396.2
D600,073 S *	9/2009	Carreno	.....	D7/509
D648,599 S *	11/2011	Watanabe	.....	D7/509
D690,610 S *	10/2013	Maxwell-Wood	.....	D9/778



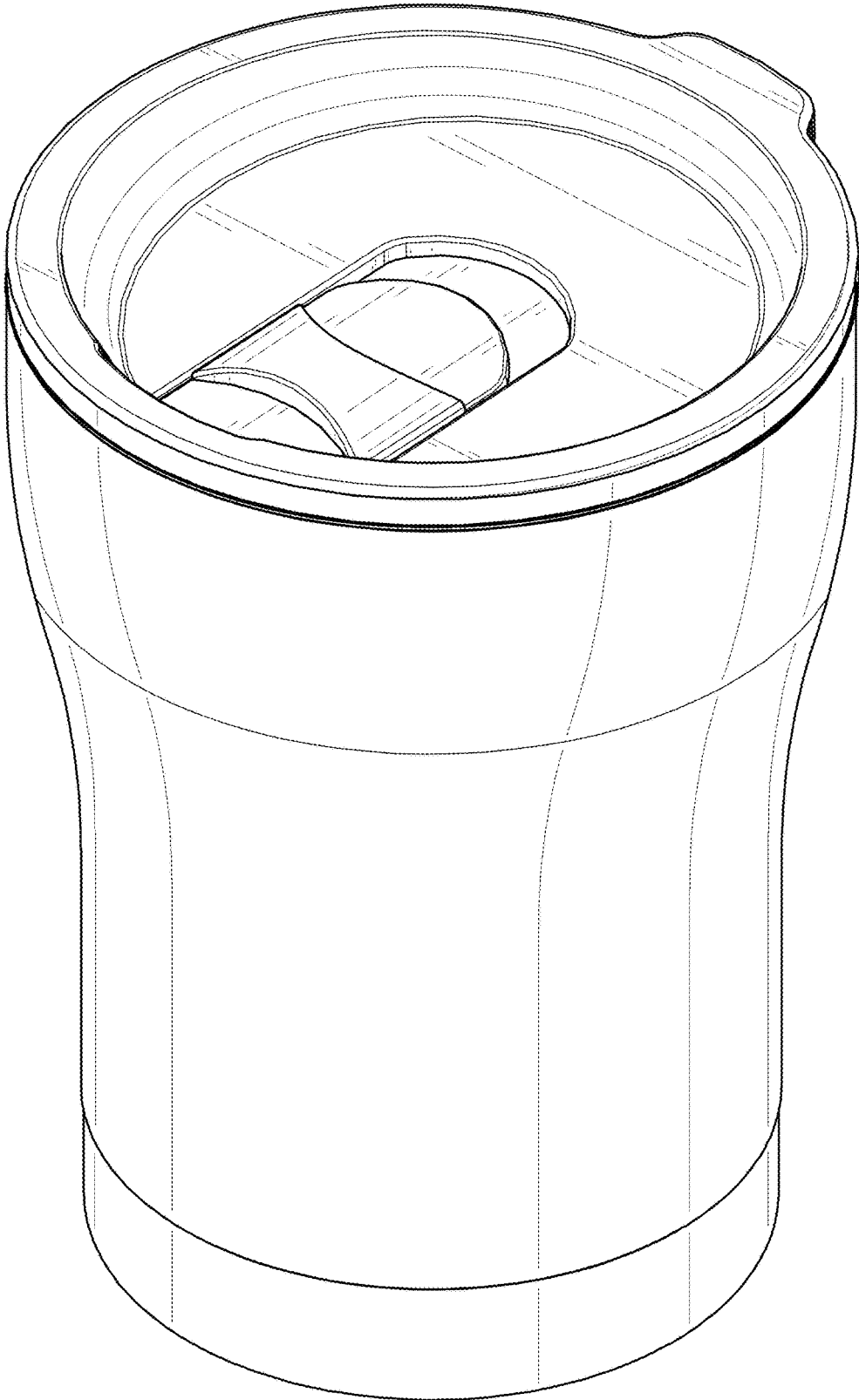


FIG. 1

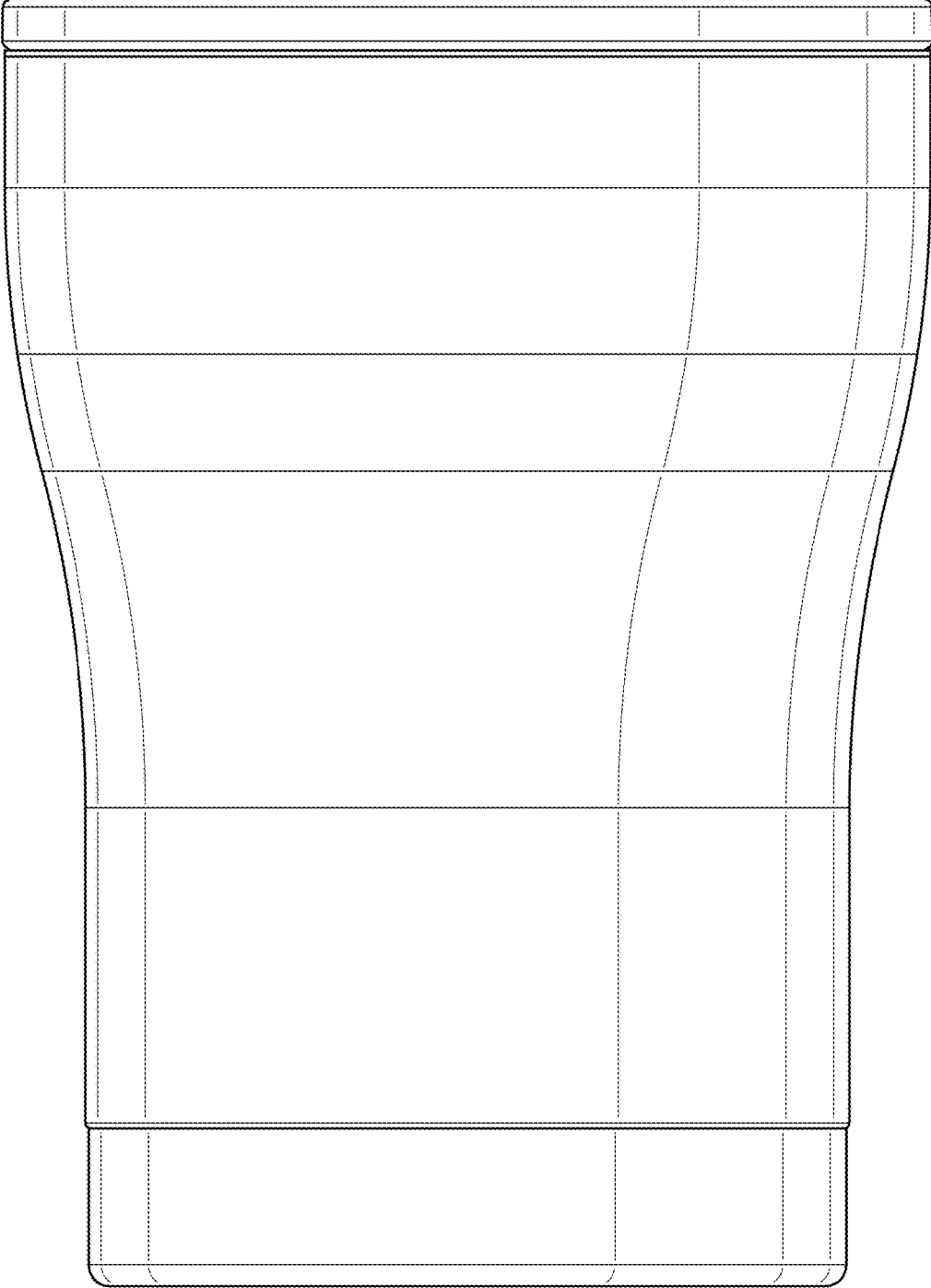


FIG. 2

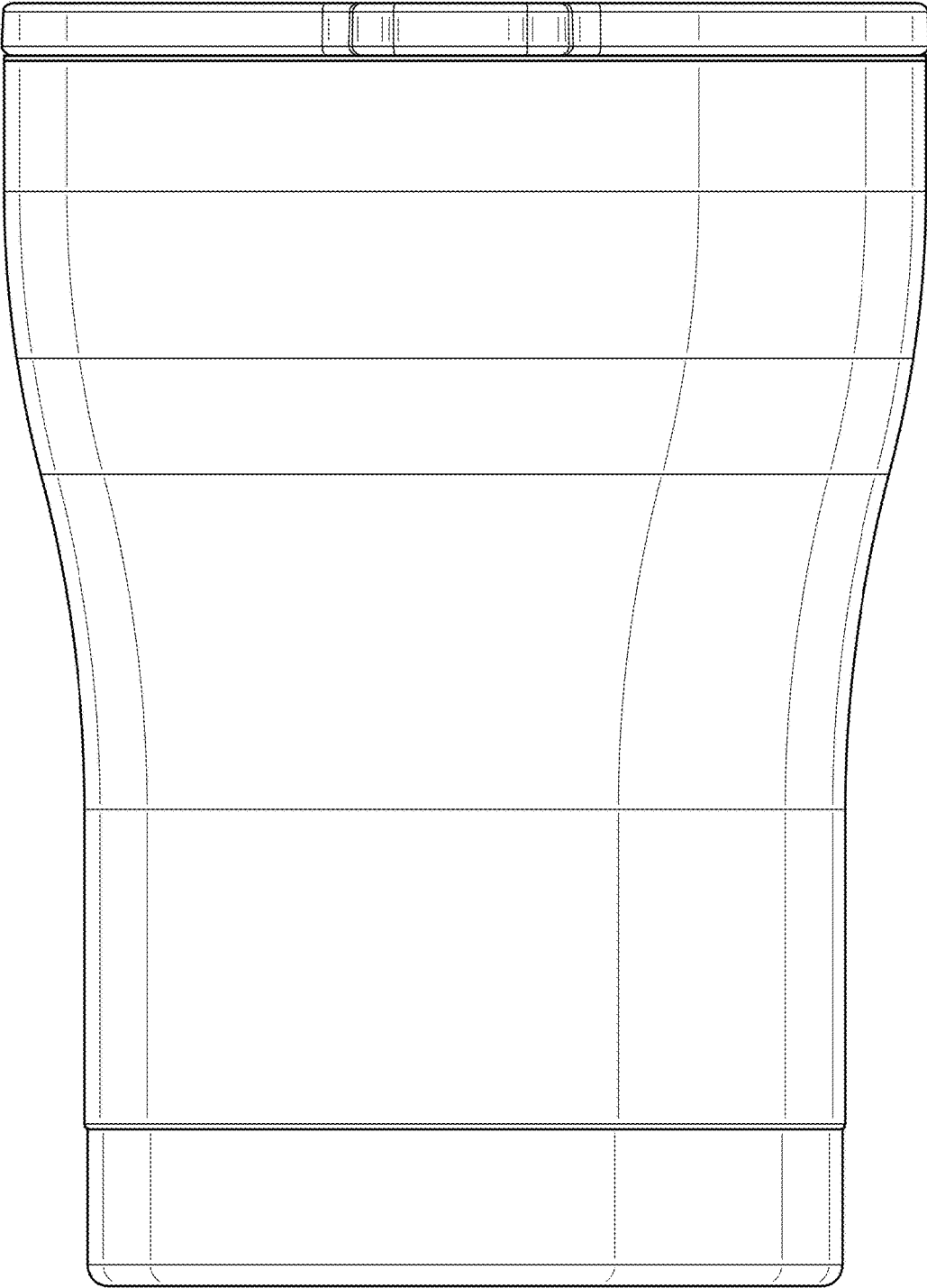


FIG. 3

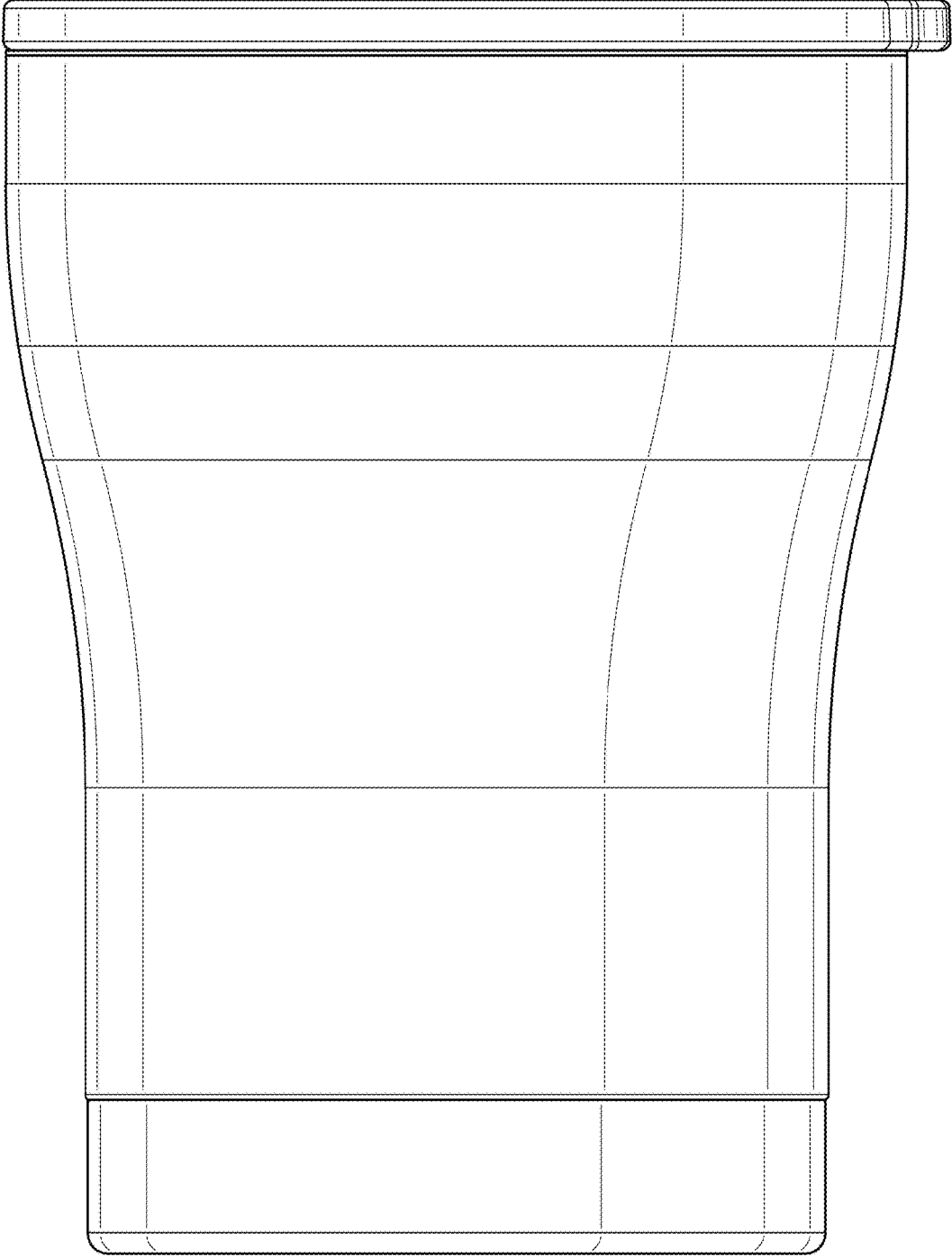


FIG. 4

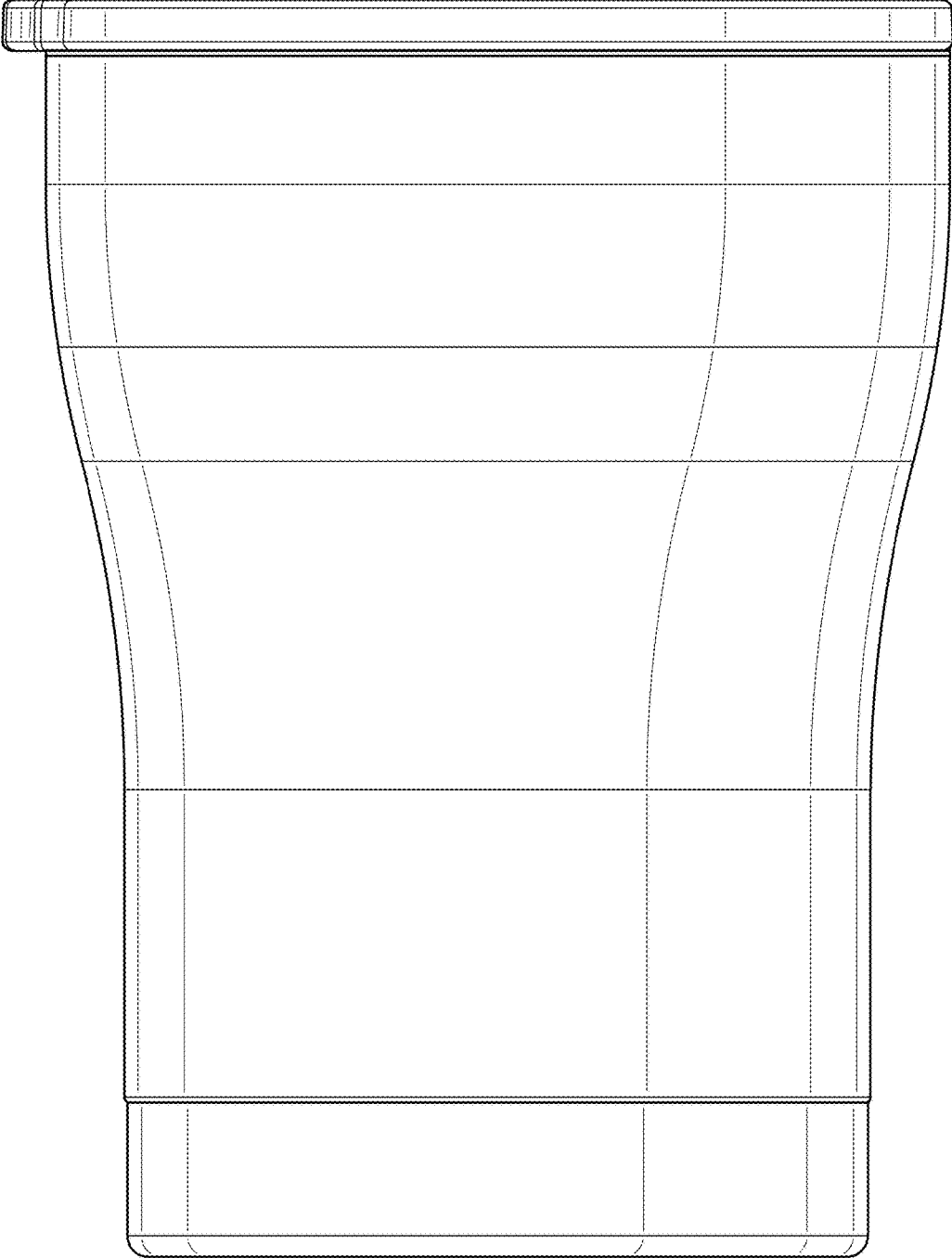


FIG. 5

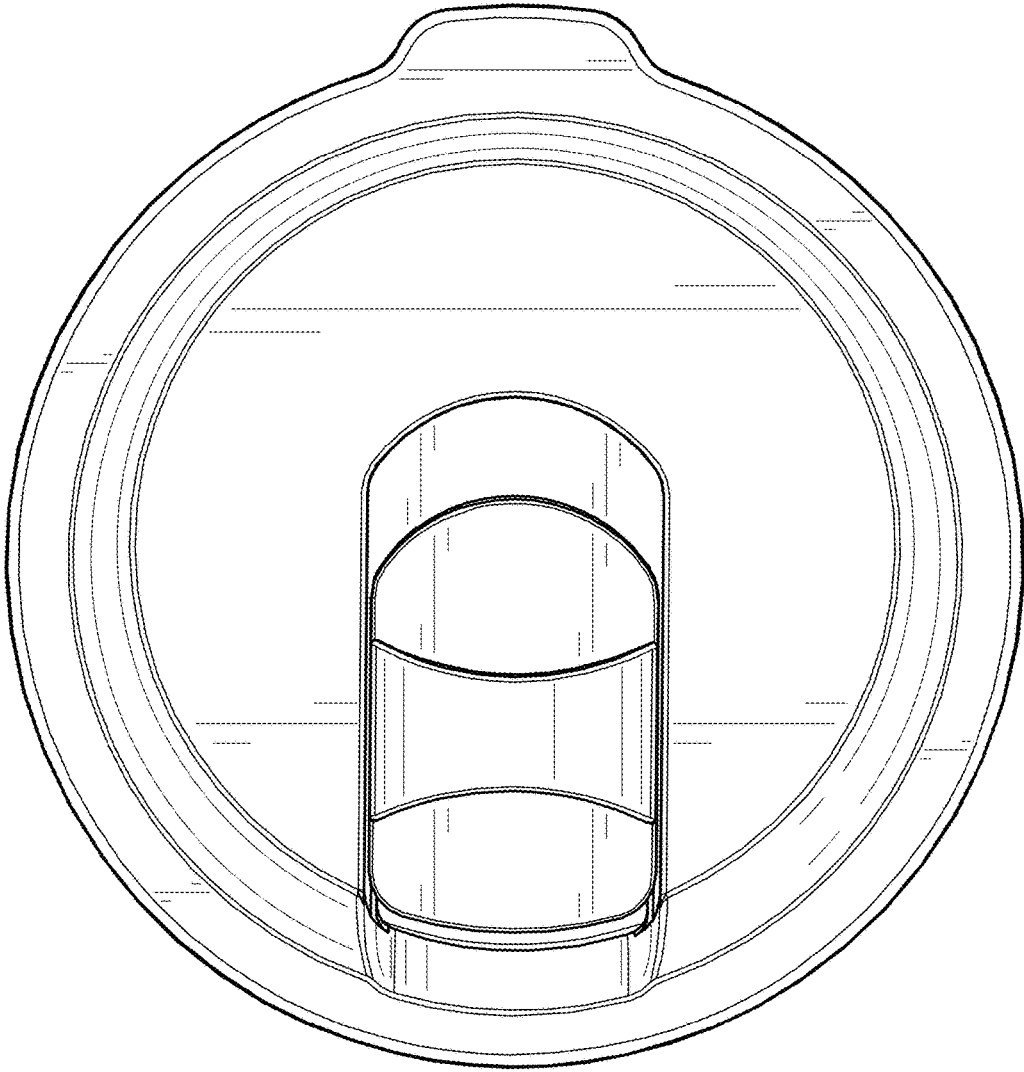


FIG. 6

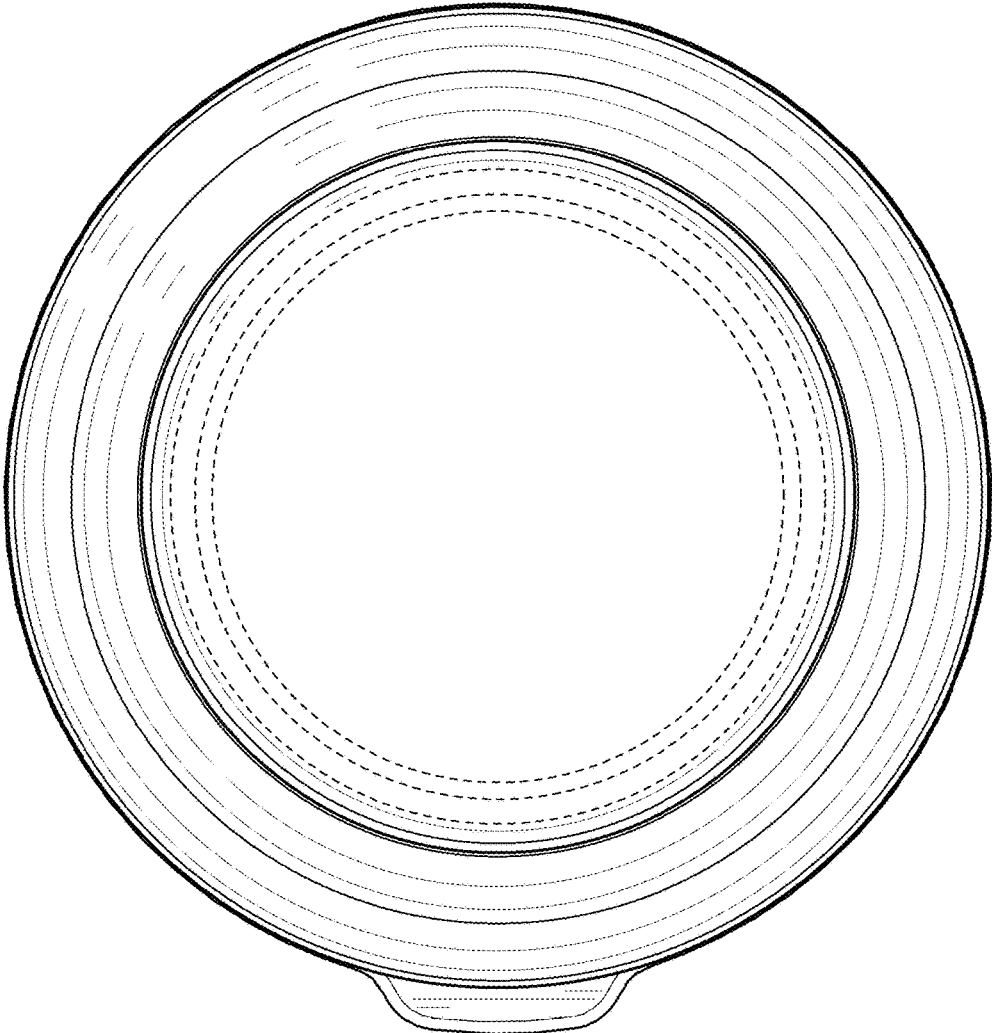


FIG. 7