

(19) World Intellectual Property Organization
International Bureau



(43) International Publication Date
18 May 2007 (18.05.2007)

PCT

(10) International Publication Number
WO 2007/056077 A3

(51) International Patent Classification:
H04N 7/26 (2006.01)

(21) International Application Number:
PCT/US2006/042843

(22) International Filing Date:
1 November 2006 (01.11.2006)

(25) Filing Language: English

(26) Publication Language: English

(30) Priority Data:
11/267,200 4 November 2005 (04.11.2005) US

(71) Applicant (for all designated States except US): UNITED VIDEO PROPERTIES, INC. [US/US]; 6922 HOLLYWOOD BLVD., Los Angeles, CA 90028 (US).

(72) Inventor: CRANER, Michael, J.; 415 Windsong Lane, Exton, PA 19341 (US).

(74) Agents: LEBLOND, Paul, E. et al.; 1211 Avenue of the Americas, New York, NY 10036-8704 (US).

(81) Designated States (unless otherwise indicated, for every kind of national protection available): AE, AG, AL, AM, AT, AU, AZ, BA, BB, BG, BR, BW, BY, BZ, CA, CH, CN,

CO, CR, CU, CZ, DE, DK, DM, DZ, EC, EE, EG, ES, FI, GB, GD, GE, GH, GM, GT, HN, HR, HU, ID, IL, IN, IS, JP, KE, KG, KM, KN, KP, KR, KZ, LA, LC, LK, LR, LS, LT, LU, LV, LY, MA, MD, MG, MK, MN, MW, MX, MY, MZ, NA, NG, NI, NO, NZ, OM, PG, PH, PL, PT, RO, RS, RU, SC, SD, SE, SG, SK, SL, SM, SV, SY, TJ, TM, TN, TR, TT, TZ, UA, UG, UZ, VC, VN, ZA, ZM, ZW.

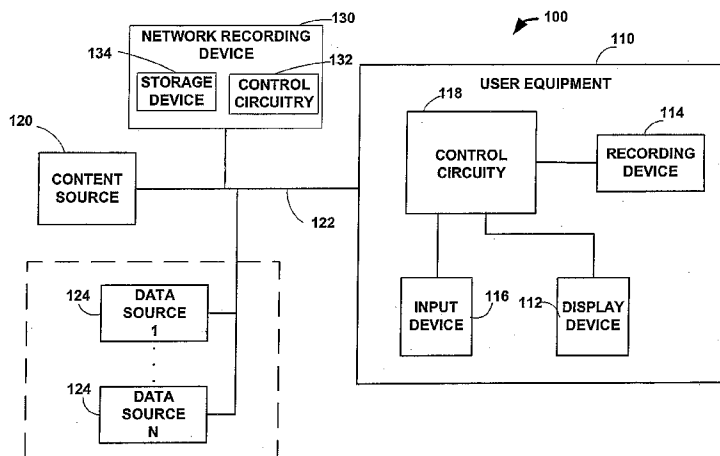
(84) Designated States (unless otherwise indicated, for every kind of regional protection available): ARIPO (BW, GH, GM, KE, LS, MW, MZ, NA, SD, SL, SZ, TZ, UG, ZM, ZW), Eurasian (AM, AZ, BY, KG, KZ, MD, RU, TJ, TM), European (AT, BE, BG, CH, CY, CZ, DE, DK, EE, ES, FI, FR, GB, GR, HU, IE, IS, IT, LT, LU, LV, MC, NL, PL, PT, RO, SE, SI, SK, TR), OAPI (BF, BJ, CF, CG, CI, CM, GA, GN, GQ, GW, ML, MR, NE, SN, TD, TG).

Published:
— with international search report
— before the expiration of the time limit for amending the claims and to be republished in the event of receipt of amendments

(88) Date of publication of the international search report:
5 July 2007

For two-letter codes and other abbreviations, refer to the "Guidance Notes on Codes and Abbreviations" appearing at the beginning of each regular issue of the PCT Gazette.

(54) Title: SYSTEMS AND METHODS FOR RECORDING PROGRAMS USING A NETWORK RECORDING DEVICE AS SUPPLEMENTAL STORAGE



(57) Abstract: Systems and methods for recording programs using a user's equipment and a network recording device are provided. An interactive television application may determine whether the user's equipment has sufficient resources (e.g., tuners or space) to record a program selected for recording. If the interactive television application determines that the user's equipment does not have sufficient resources, the interactive television application may select, automatically or in response to a user instruction, the program for recording with a network recording device. In some embodiments, the user may have to pay for the use of the network recording device, or may be required to purchase a given tier level of service. The interactive television application may play back programs from the network recording device as VOD offerings, or may direct the network recording device to transfer recorded programs to the user's equipment when it has sufficient resources.

WO 2007/056077 A3

INTERNATIONAL SEARCH REPORT

International application No.
PCT/US06/42843

A. CLASSIFICATION OF SUBJECT MATTER
IPC(8) - H04N 7/26 (2007.01)
USPC - 386/124
According to International Patent Classification (IPC) or to both national classification and IPC

B. FIELDS SEARCHED
Minimum documentation searched (classification system followed by classification symbols)
IPC(8) - H04N 7/26; H04W 7/167 (2007.01)
USPC - 386/124, 46, 125; 360/137, 69, 94; 348/231.1, 231.2; 369/292; 380/239, 210, 281; 725/55, 102, 104

Documentation searched other than minimum documentation to the extent that such documents are included in the fields searched

Electronic data base consulted during the international search (name of data base and, where practicable, search terms used)
MicroPatent

C. DOCUMENTS CONSIDERED TO BE RELEVANT

Category*	Citation of document, with indication, where appropriate, of the relevant passages	Relevant to claim No.
Y	US 2005/0152669 A1 (KIM et al) 14 July 2005 (14.07.2005), entire document	1-26
Y	US 6,549,715 B1 (SASAKI) 15 April 2003 (15.04.2003), entire document	1-26
Y	US 6,853,728 B1 (KAHN et al) 08 February 2005 (08.02.2005), entire document	9-12, 14, 15, 23-26
A	US 2004/0013406 A1 (BARTON et al) 22 January 2004 (22.01.2004), entire document	1-26
A	US 6,640,145 B2 (HOFFBERG et al) 28 October 2003 (08.02.2005), entire document	1-26

Further documents are listed in the continuation of Box C.

* Special categories of cited documents:

"A" document defining the general state of the art which is not considered to be of particular relevance	"T" later document published after the international filing date or priority date and not in conflict with the application but cited to understand the principle or theory underlying the invention
"E" earlier application or patent but published on or after the international filing date	"X" document of particular relevance; the claimed invention cannot be considered novel or cannot be considered to involve an inventive step when the document is taken alone
"L" document which may throw doubts on priority claim(s) or which is cited to establish the publication date of another citation or other special reason (as specified)	"Y" document of particular relevance; the claimed invention cannot be considered to involve an inventive step when the document is combined with one or more other such documents, such combination being obvious to a person skilled in the art
"O" document referring to an oral disclosure, use, exhibition or other means	"&" document member of the same patent family
"P" document published prior to the international filing date but later than the priority date claimed	

Date of the actual completion of the international search 09 March 2007	Date of mailing of the international search report 30 APR 2007
--	--

Name and mailing address of the ISA/US Mail Stop PCT, Attn: ISA/US, Commissioner for Patents P.O. Box 1450, Alexandria, Virginia 22313-1450 Facsimile No. 571-273-3201	Authorized officer: Blaine R. Copenheaver PCT Helpdesk: 571-272-4300 PCT OSP: 571-272-7774
---	---