

(12) INTERNATIONAL APPLICATION PUBLISHED UNDER THE PATENT COOPERATION TREATY (PCT)

(19) World Intellectual Property Organization
International Bureau



(43) International Publication Date
25 June 2009 (25.06.2009)

PCT

(10) International Publication Number
WO 2009/078050 A4

- (51) International Patent Classification:
A47L 9/04 (2006.01) A47L 9/30 (2006.01)
- (21) International Application Number:
PCT/IT2008/000741
- (22) International Filing Date:
4 December 2008 (04.12.2008)
- (25) Filing Language: English
- (26) Publication Language: English
- (30) Priority Data:
TV2007A000200 19 December 2007 (19.12.2007) IT
- (71) Applicant (for all designated States except US): EU-ROFLEX SRL [IT/IT]; Via dei Colli 59, I-31058 Susegana (TV) (IT).
- (72) Inventor: MILANESE, Pierantonio [IT/IT]; Via Val Longa 18, I-31058 Susegana (TV) (IT).
- (81) Designated States (unless otherwise indicated, for every kind of national protection available): AE, AG, AL, AM, AO, AT, AU, AZ, BA, BB, BG, BH, BR, BW, BY, BZ, CA, CH, CN, CO, CR, CU, CZ, DE, DK, DM, DO, DZ, EC, EE, EG, ES, FI, GB, GD, GE, GH, GM, GT, HN, HR, HU, ID, IL, IN, IS, JP, KE, KG, KM, KN, KP, KR,

KZ, LA, LC, LK, LR, LS, LT, LU, LY, MA, MD, ME, MG, MK, MN, MW, MX, MY, MZ, NA, NG, NI, NO, NZ, OM, PG, PH, PL, PT, RO, RS, RU, SC, SD, SE, SG, SK, SL, SM, ST, SV, SY, TJ, TM, TN, TR, TT, TZ, UA, UG, US, UZ, VC, VN, ZA, ZM, ZW.

- (84) Designated States (unless otherwise indicated, for every kind of regional protection available): ARIPO (BW, GH, GM, KE, LS, MW, MZ, NA, SD, SL, SZ, TZ, UG, ZM, ZW), Eurasian (AM, AZ, BY, KG, KZ, MD, RU, TJ, TM), European (AT, BE, BG, CH, CY, CZ, DE, DK, EE, ES, FI, FR, GB, GR, HR, HU, IE, IS, IT, LT, LU, LV, MC, MT, NL, NO, PL, PT, RO, SE, SI, SK, TR), OAPI (BF, BJ, CF, CG, CI, CM, GA, GN, GQ, GW, ML, MR, NE, SN, TD, TG).

Declarations under Rule 4.17:

— of inventorship (Rule 4.17(iv))

Published:

- with international search report (Art. 21(3))
— with amended claims and statement (Art. 19(1))

Date of publication of the amended claims and statement: 13 August 2009

(54) Title: VACUUM CLEANER BRUSH WITH SELF-POWERED UVC LAMP

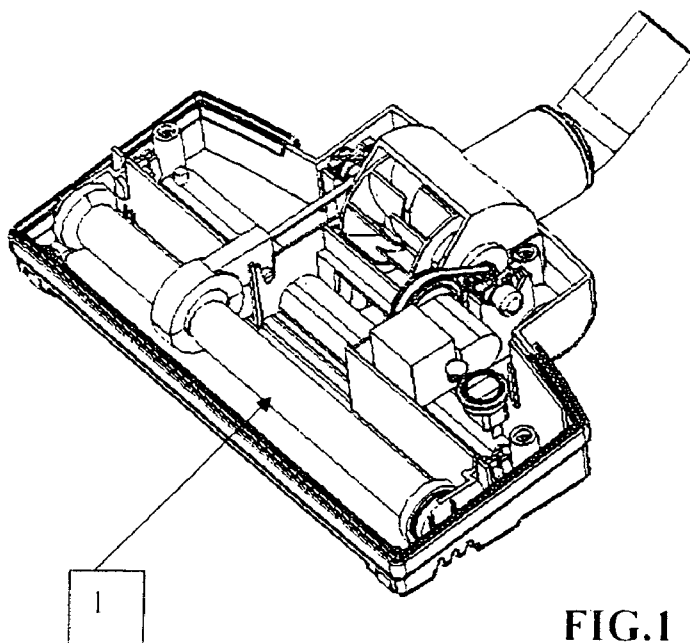


FIG. 1

(57) Abstract: A Nozzle (1) for a vacuum cleaner, with an integrated UVC germicide lamp (3) that works without being connected to an external electric power supply because the current generator (8) necessary for its powering is part of the nozzle itself.



WO 2009/078050 A4

AMENDED CLAIMS

received by the International Bureau on 12 Jun 2009 (12.06.2009)

1. Brush for vacuum cleaner suitable to be connected through a pipe union (4) to a cleaning appliance with motor-driven fan and equipped with UVC germicide lamp (3), characterized by a dynamo (8) feeding the UVC lamp (3) and in which this dynamo (8) is operated by fans (2) which are rotating thanks to the flow generated by the above mentioned motor-driven fan.
2. Brush for vacuum cleaner as per claim 1., characterized by the fact that the current generator can be either a dynamo or a synchronous motor.

STATEMENT UNDER ARTICLE 19

The amended claims were written according to the citations revealed in the International Search Report; the amendments made in the claims do not modify the description.

Amended claims contain new references showing elements or their parts or features already existing in the drawings as originally filed.

Documents concerning prior art do not introduce the original combination of a brush including a UVC lighting unit powered by current generated by a dynamo through the suction air flow produced by the vacuum cleaner to which the brush is connected.

Document no. US2006/0216193 includes a sanitizer with traditionally powered UV lamp.

Document no. US2007/0192986 includes a sanitizer with traditionally powered UV lamp.