



US0D1038024S

(12) **United States Design Patent**
Deng

(10) **Patent No.:** **US D1,038,024 S**

(45) **Date of Patent:** **** Aug. 6, 2024**

(54) **POWER ADAPTER**

(71) Applicant: **Wenqiang Deng**, Suining (CN)

(72) Inventor: **Wenqiang Deng**, Suining (CN)

(73) Assignee: **Wenqiang Deng**, Suining (CN)

(**) Term: **15 Years**

(21) Appl. No.: **29/925,123**

(22) Filed: **Jan. 23, 2024**

(51) **LOC (14) Cl.** **13-02**

(52) **U.S. Cl.**

USPC **D13/110**; D13/107; D13/108

(58) **Field of Classification Search**

USPC ... D13/133, 101, 123, 146, 147, 153, 137.1,
D13/149, 107, 108, 110, 139.8; D14/420,
D14/433, 435.1

CPC G02B 6/38; G02B 6/38875; G02B 6/4284;
H01R 13/40; H01R 13/58; H01R 13/627;
H01R 13/66; H01R 13/6335; H01R
13/6272; H01R 13/6397; H01R 13/639;
H01R 13/6275; H01R 31/06; H01R
24/00; H01R 24/46; H01R 43/26

See application file for complete search history.

(56) **References Cited**

U.S. PATENT DOCUMENTS

D587,192 S * 2/2009 McGinley D13/110
D587,193 S * 2/2009 McGinley D13/110
D611,409 S * 3/2010 Green D13/110

(Continued)

OTHER PUBLICATIONS

Kitminum for iPhone Fast Charger, available in Amazon.com, date first available May 7, 2022 [online], [site visited Mar. 4, 2024], Available from the internet URL: <https://www.amazon.com/dp/B09ZQS3QHP/> (Year: 2022).*

(Continued)

Primary Examiner — Christy Nemeth

Assistant Examiner — Leah E Hoeferkamp

(74) *Attorney, Agent, or Firm* — Nitin Kaushik

(57) **CLAIM**

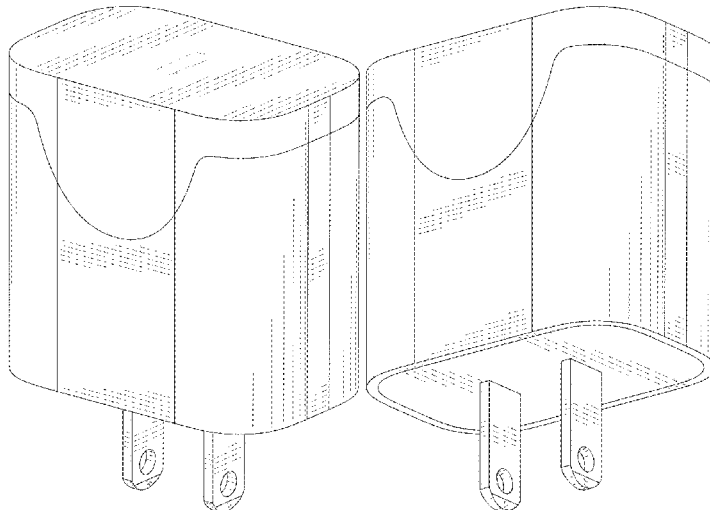
The ornamental design for a power adapter, as shown and described.

DESCRIPTION

FIG. 1 is a front perspective view of the first embodiment of a power adapter, showing my new design; FIG. 2 is a rear perspective view thereof; FIG. 3 is a front view thereof; FIG. 4 is a rear view thereof; FIG. 5 is a left side view thereof; FIG. 6 is a right side view thereof; FIG. 7 is a top view thereof; FIG. 8 is a bottom view thereof; FIG. 9 is a front perspective view of a second embodiment; FIG. 10 is a rear perspective view thereof; FIG. 11 is a front view thereof; FIG. 12 is a rear view thereof; FIG. 13 is a left side view thereof; FIG. 14 is a right side view thereof; FIG. 15 is a top view thereof; FIG. 16 is a bottom view thereof; FIG. 17 is a front perspective view of a third embodiment; FIG. 18 is a rear perspective view thereof; FIG. 19 is a front view thereof; FIG. 20 is a rear view thereof; FIG. 21 is a left side view thereof; FIG. 22 is a right side view thereof; FIG. 23 is a top view thereof; and, FIG. 24 is a bottom view.

The broken lines in the drawings illustrate the portions of the power adapter, which form no part of the claimed design.

1 Claim, 24 Drawing Sheets



(56)

References Cited

U.S. PATENT DOCUMENTS

D624,548 S * 9/2010 Yamamoto D14/433
 D660,796 S * 5/2012 Wen D13/110
 D680,492 S * 4/2013 Smith D13/110
 D732,472 S * 6/2015 Laffon D13/110
 D734,259 S * 7/2015 Cepress D13/110
 D740,751 S * 10/2015 Akana D13/110
 D799,422 S * 10/2017 Chen D13/110
 D819,566 S * 6/2018 Hung D13/110
 D841,582 S * 2/2019 Tian D13/108
 D845,898 S * 4/2019 Laffon de Mazieres D13/110
 D879,711 S * 3/2020 Ruiwu D13/108
 D879,712 S * 3/2020 Fan D13/108
 D892,054 S * 8/2020 Langhammer D13/137.1
 D892,735 S * 8/2020 Zhang D13/108
 D892,736 S * 8/2020 Jin D13/108
 D902,863 S * 11/2020 Yang D13/137.2
 D928,705 S * 8/2021 Akana D13/110
 D928,706 S * 8/2021 Akana D13/110
 D934,801 S * 11/2021 Akana D13/110
 D937,208 S * 11/2021 Liu D13/108
 D938,352 S * 12/2021 Zhang D13/108
 D942,388 S * 2/2022 Li D13/108
 D948,436 S * 4/2022 Peng D13/110
 D961,510 S * 8/2022 Cheng D13/108
 D962,857 S * 9/2022 Wu D13/107
 D969,741 S * 11/2022 Zhong D13/110

D977,418 S * 2/2023 Xie D13/107
 D978,797 S * 2/2023 Wang
 D997,866 S * 9/2023 Yan D13/108
 D1,005,936 S * 11/2023 Fang D13/107
 D1,005,940 S * 11/2023 Li D13/108
 D1,012,841 S * 1/2024 Wu D13/108

OTHER PUBLICATIONS

Incoric USB C Wall Charger, available in Amazon.com, date first available Oct. 25, 2022 [online], [site visited Mar. 4, 2024], Available from the internet URL: <https://www.amazon.com/Charger-Adapter-Compatible-Samsung-More-Green/dp/B0BKGKVRB6?th=1> (Year: 2022).*

Articon iPhone 15 Charger Block, available in Amazon.com, date first available Dec. 1, 2022 [online], [site visited Mar. 4, 2024], Available from the internet URL: <https://www.amazon.com/dp/B0BM8ZK7Y4/> (Year: 2022).*

Apple 20W USB-C Power Adapter, available in Amazon.com, date first available Oct. 16, 2020 [online], [site visited Mar. 4, 2024], Available from the internet URL: <https://www.amazon.ae/Apple-20W-USB-C-Power-Adapter/dp/B08L5M9BTJ> (Year: 2020).*

Romitaz USB C Wall Charger Block, available in Amazon.com, date first available Feb. 28, 2023 [online], [site visited Mar. 4, 2024], Available from the internet URL: <https://www.amazon.com/dp/B0BX456RHJ/> (Year: 2023).*

* cited by examiner

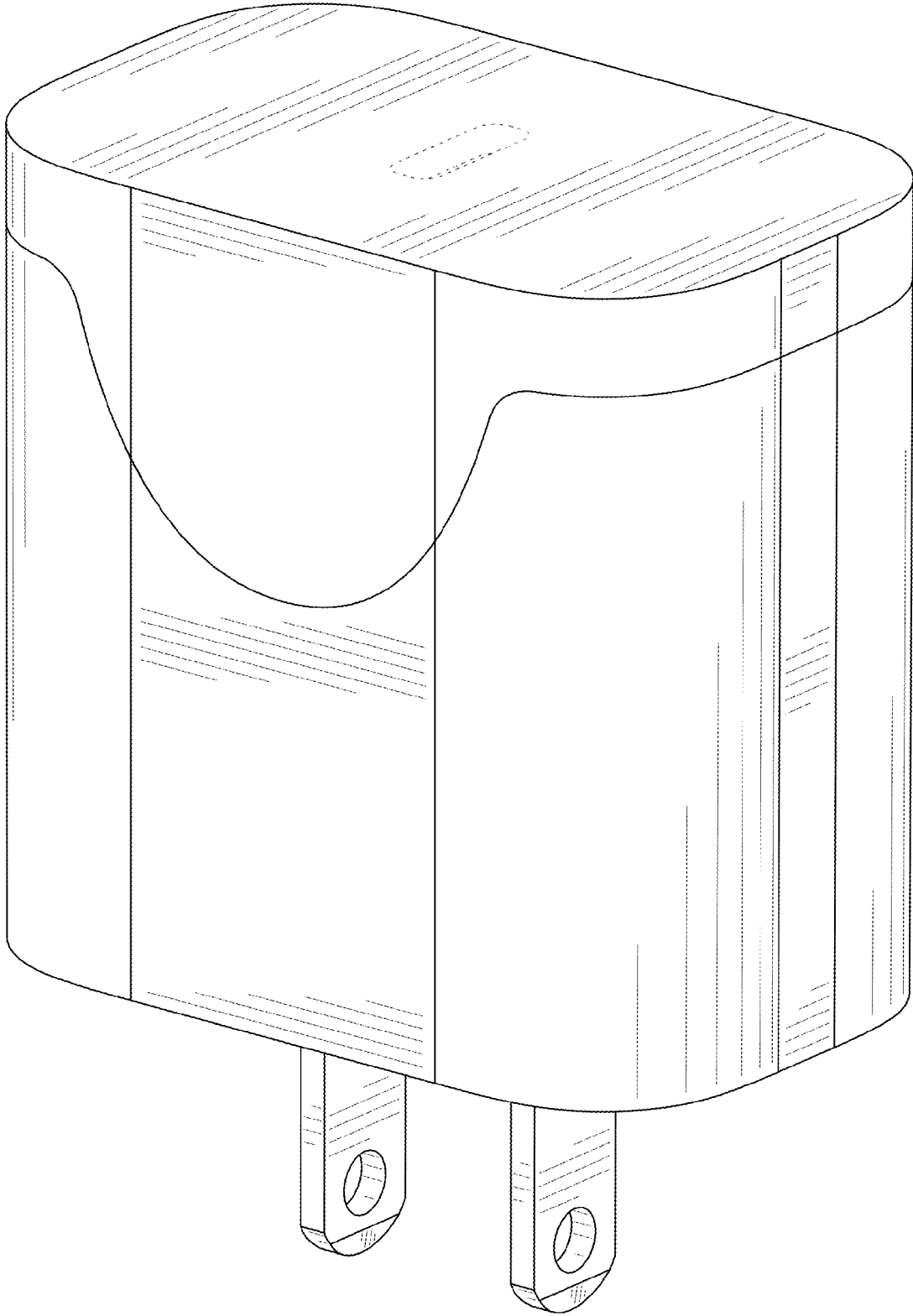


FIG. 1

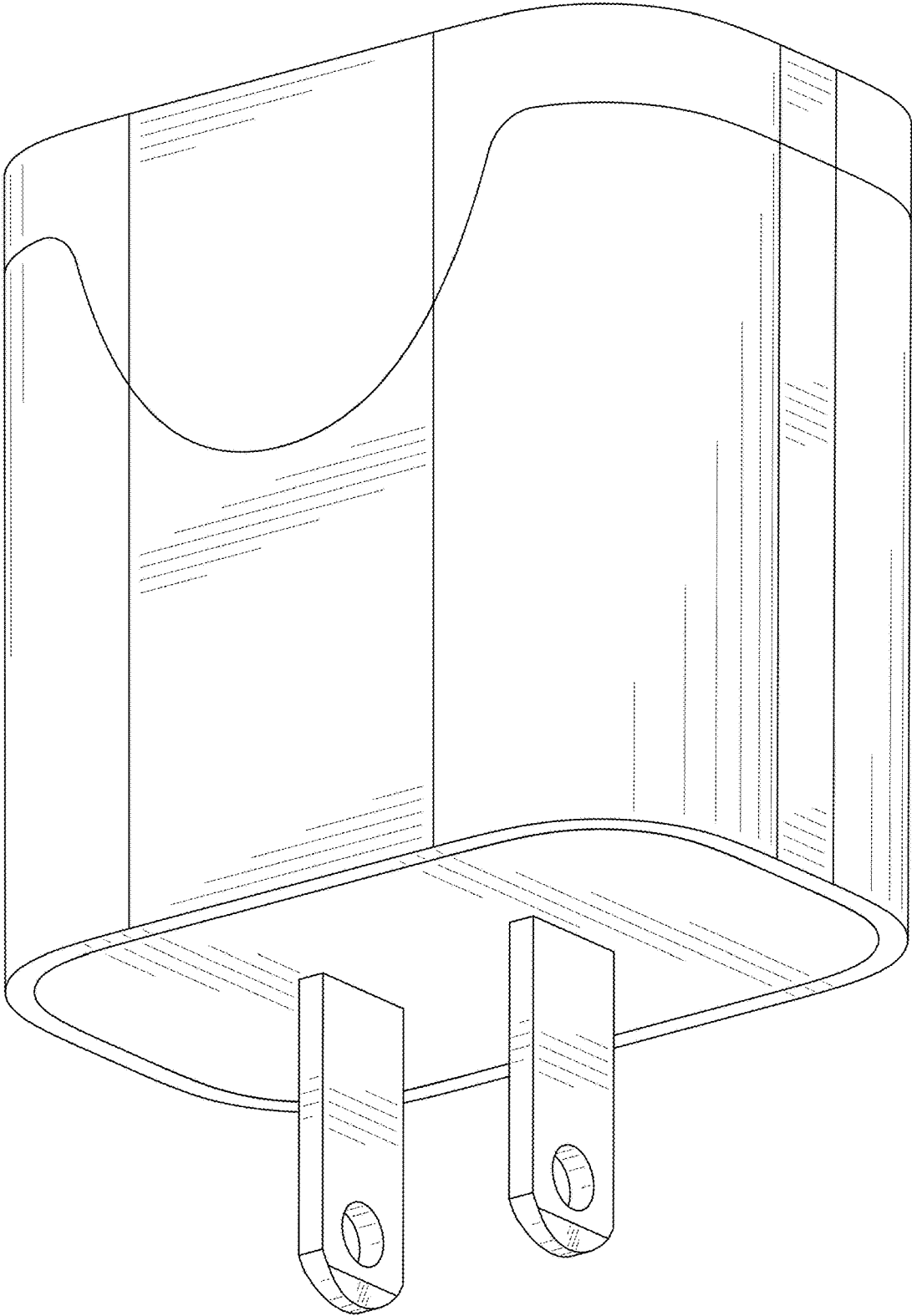


FIG. 2

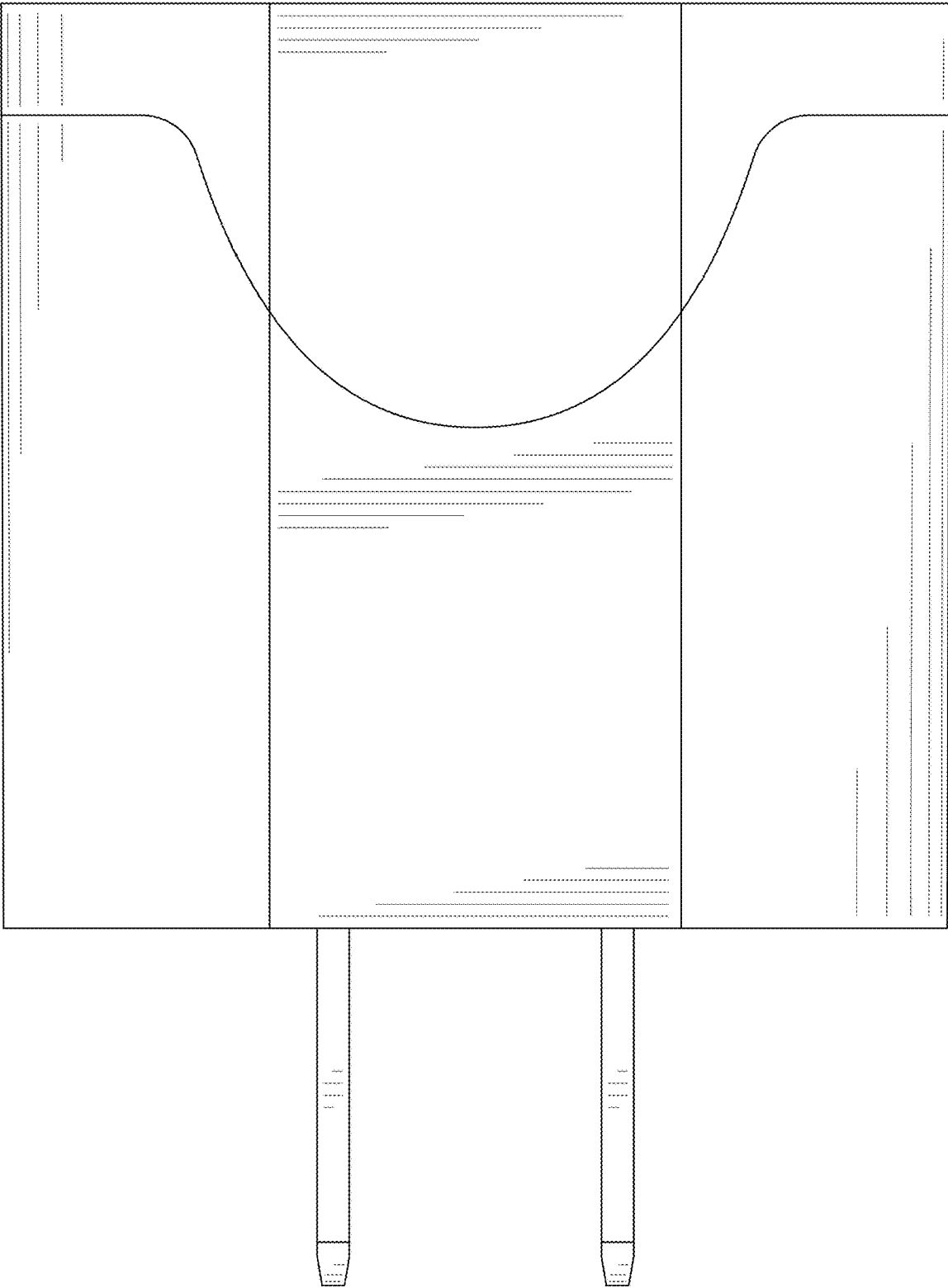


FIG. 3

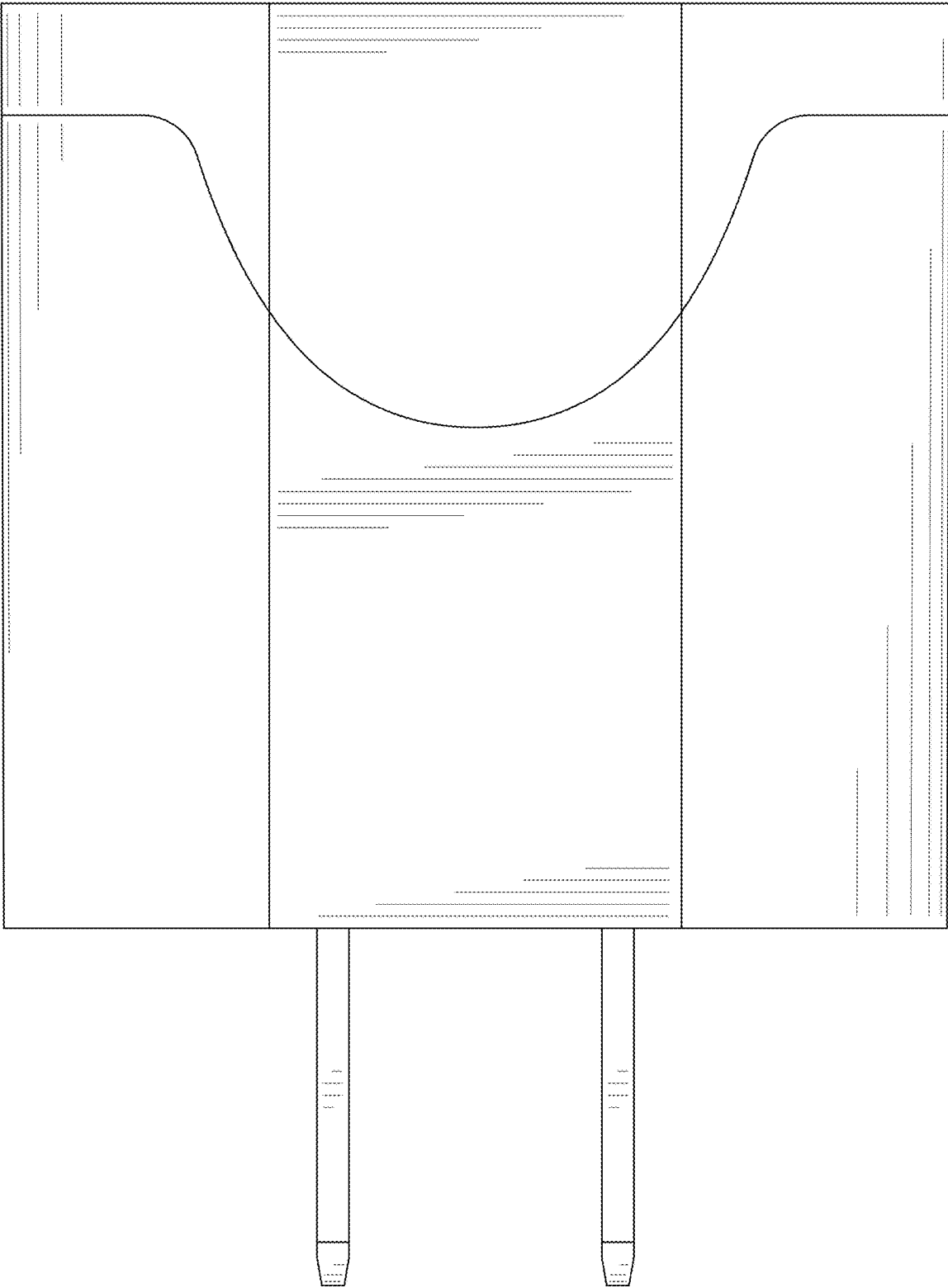


FIG. 4

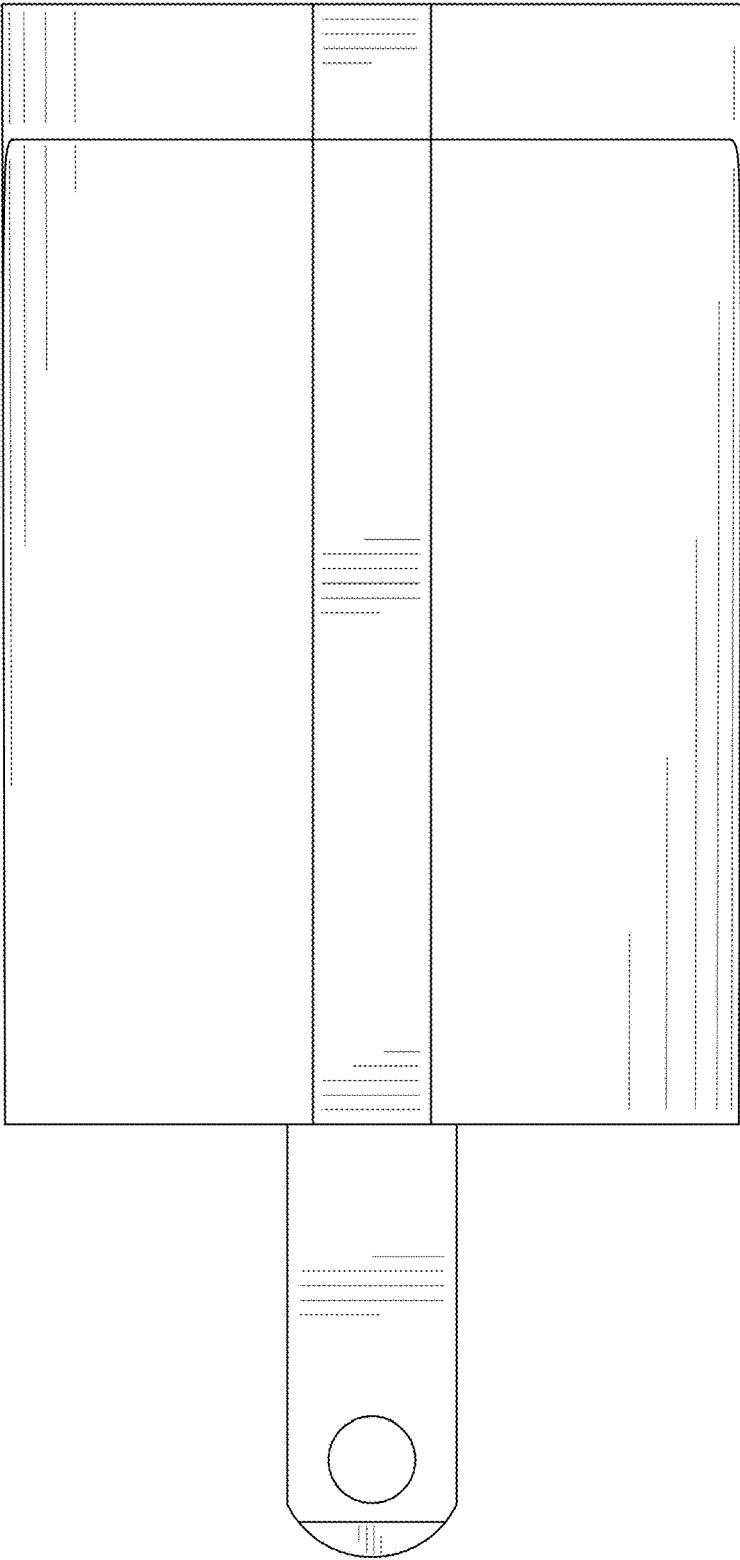


FIG. 5

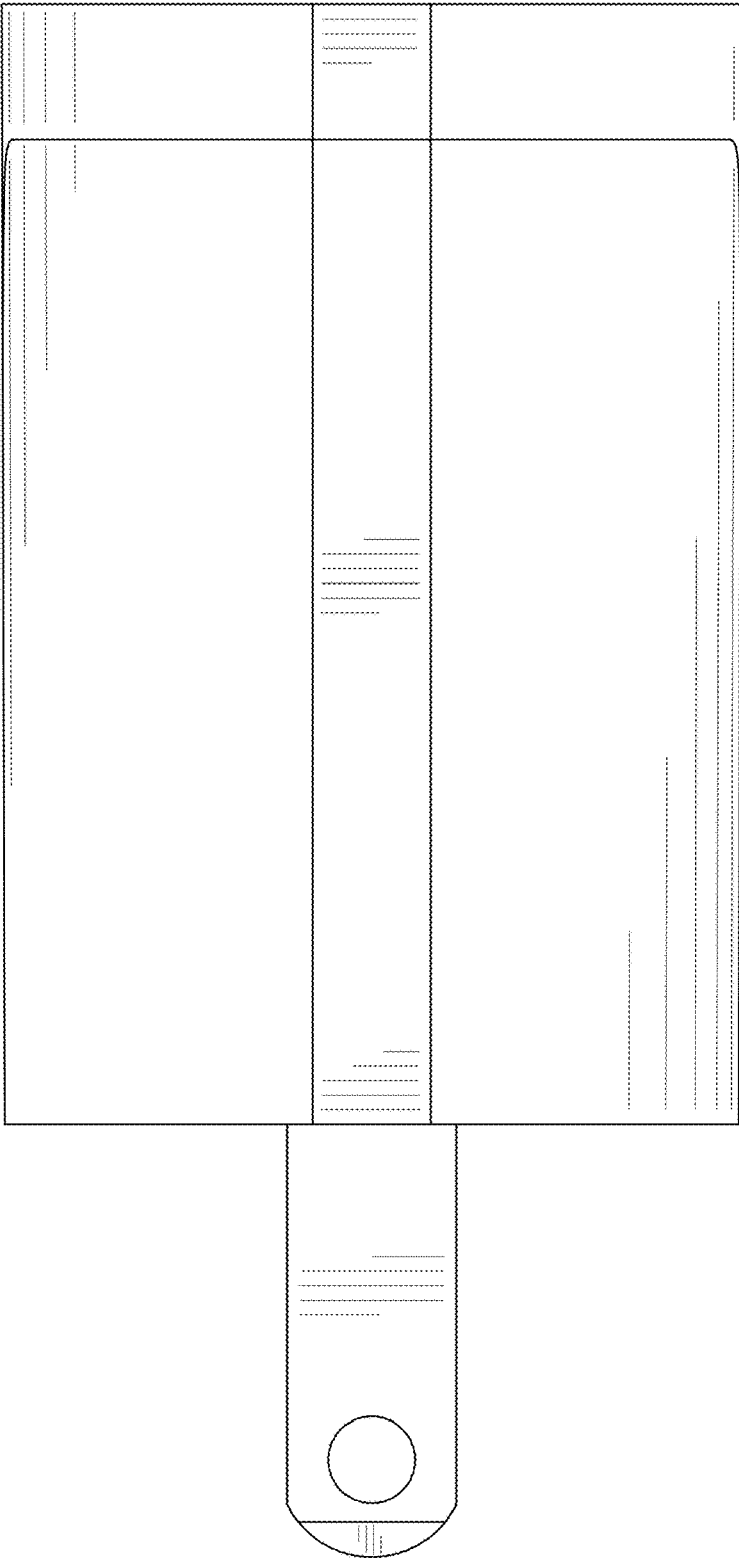


FIG. 6

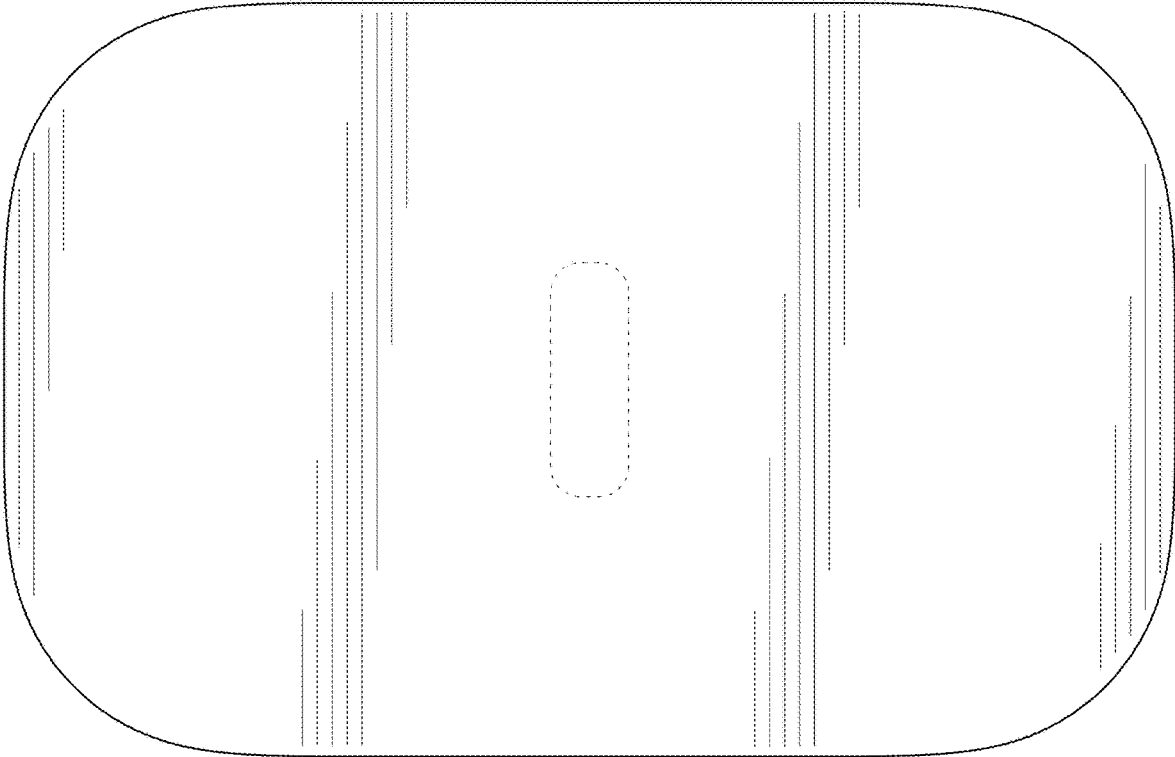


FIG. 7

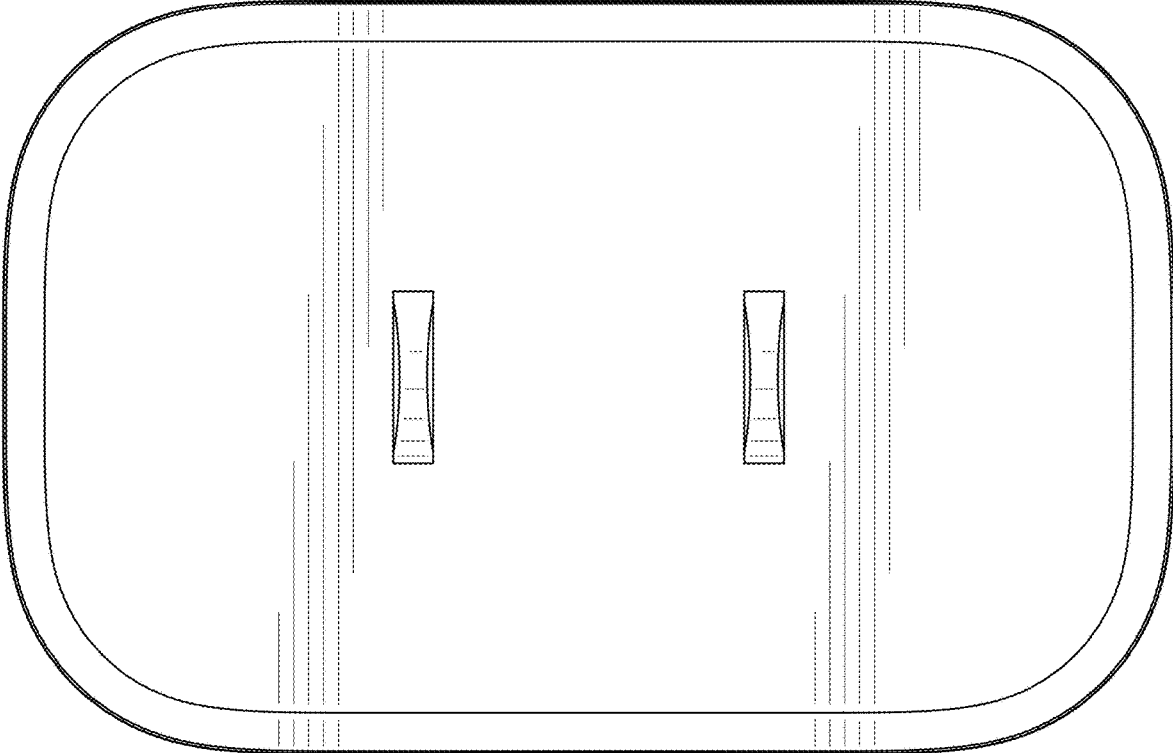


FIG. 8

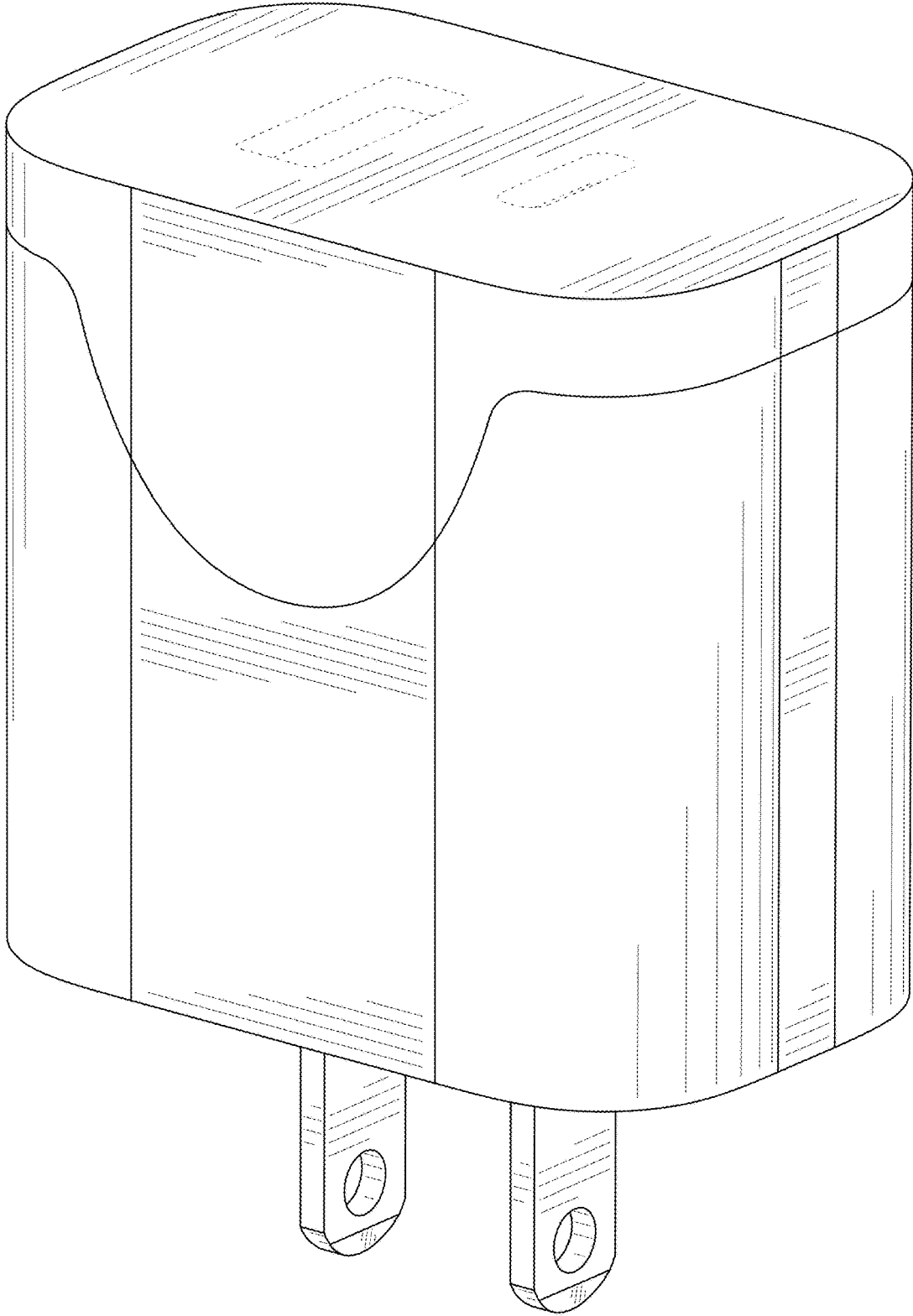


FIG. 9

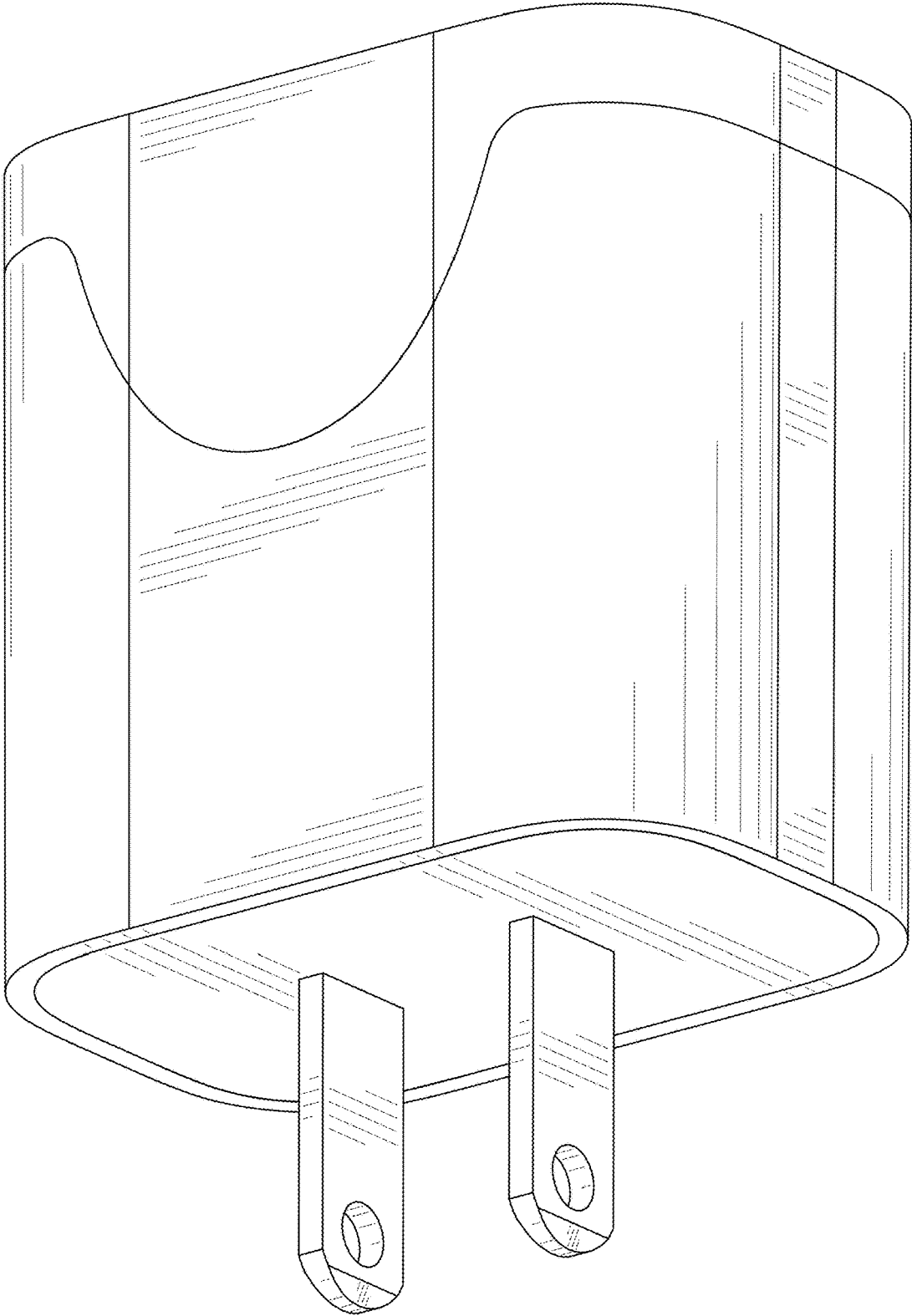


FIG. 10

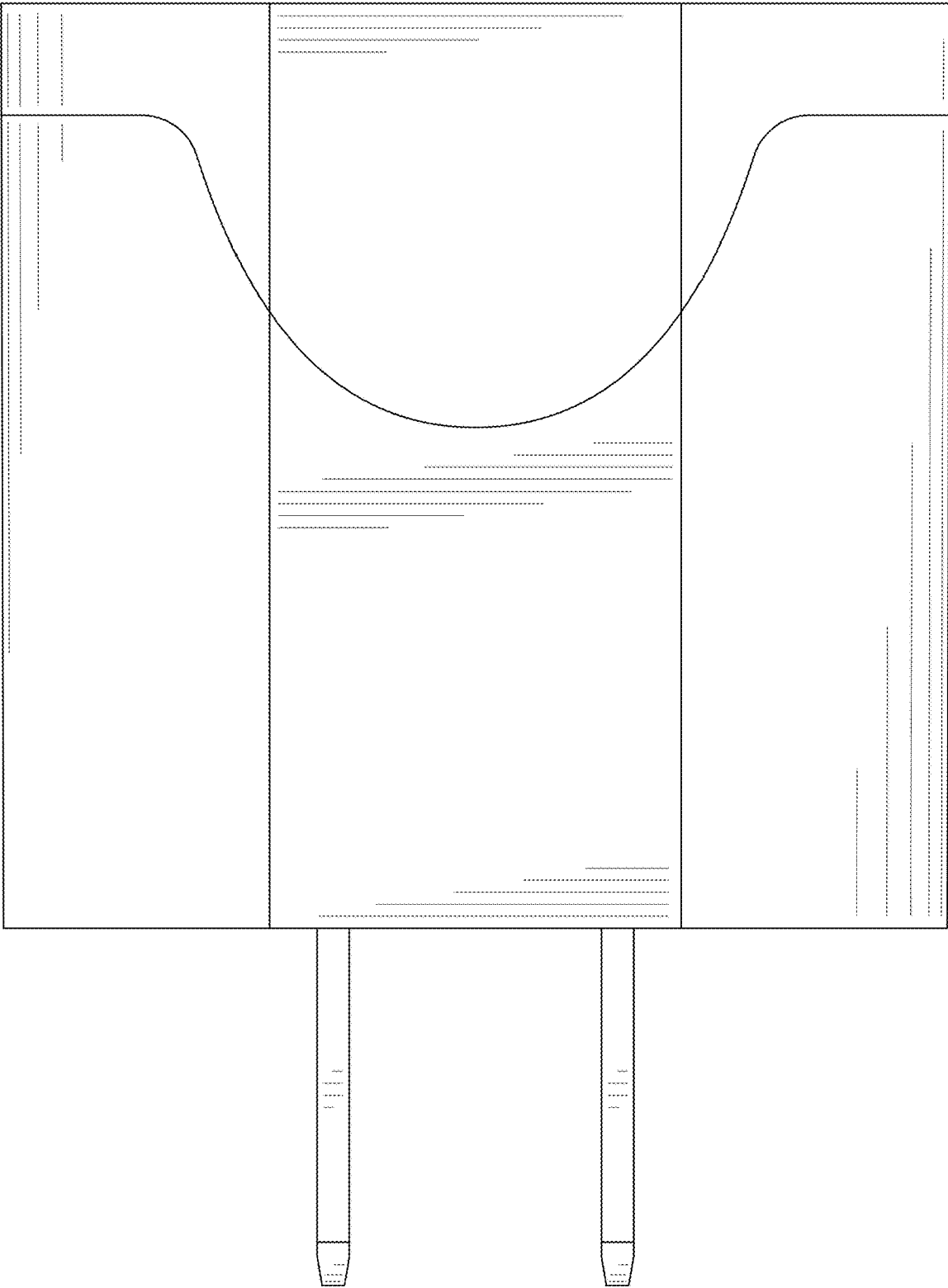


FIG. 11

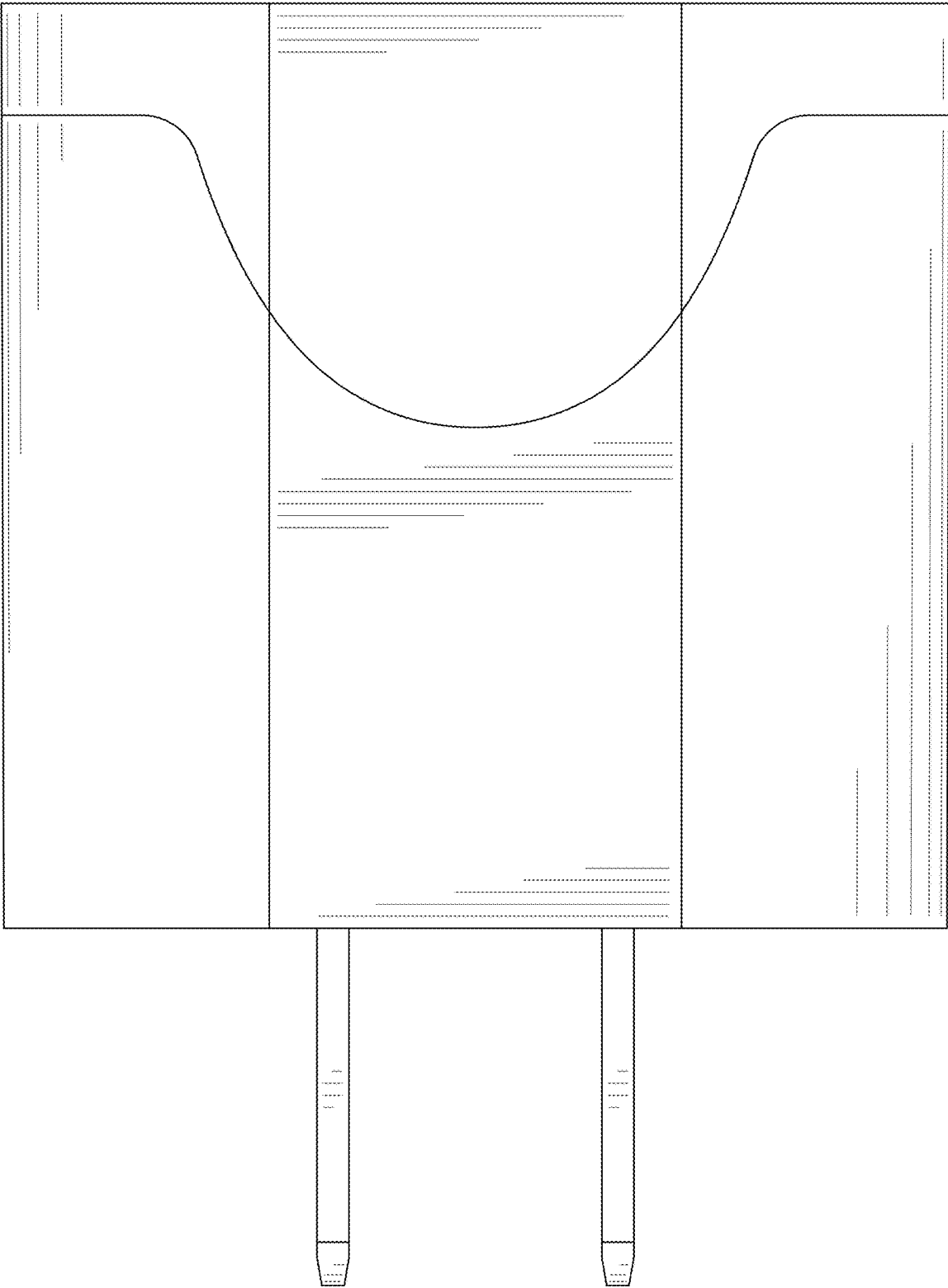


FIG. 12

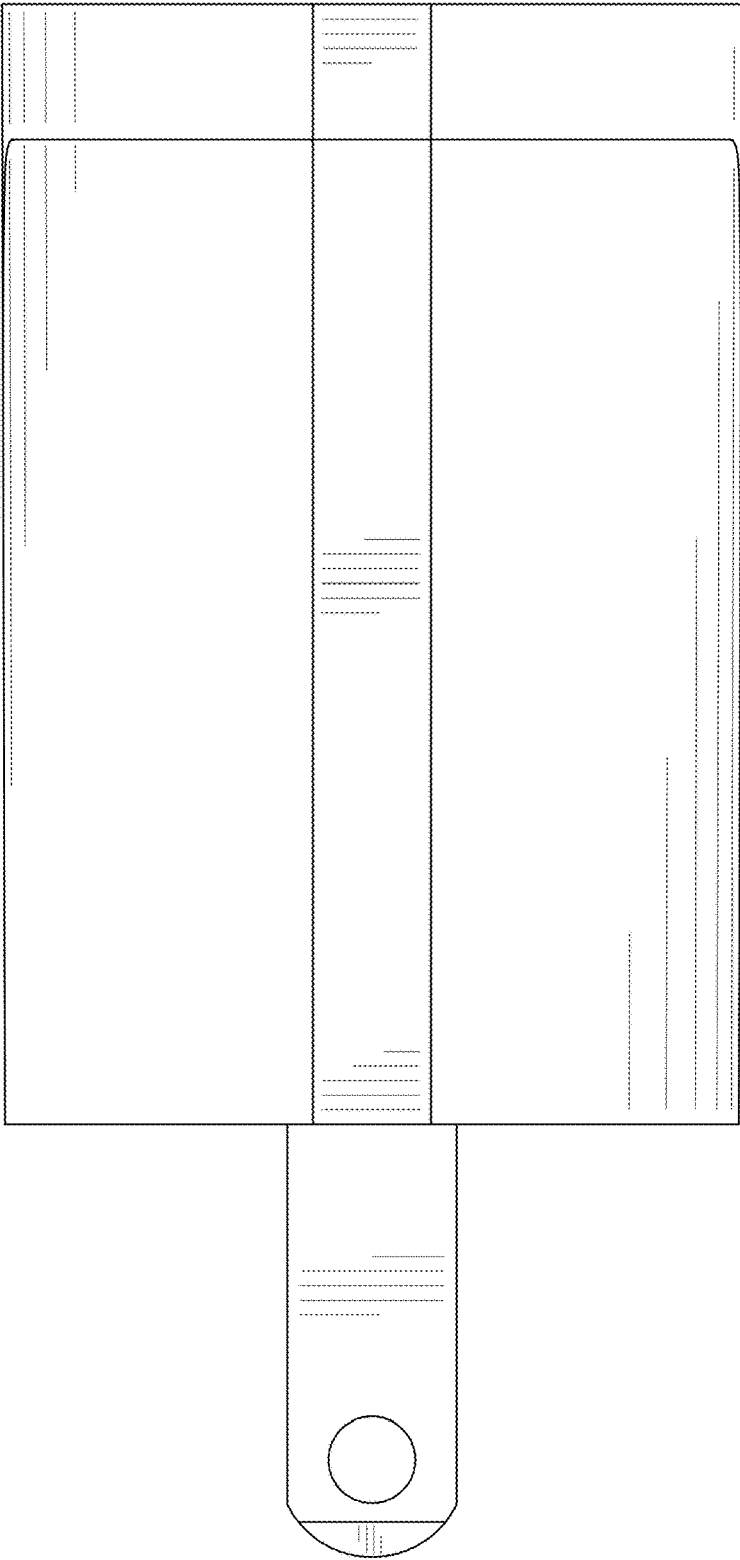


FIG. 13

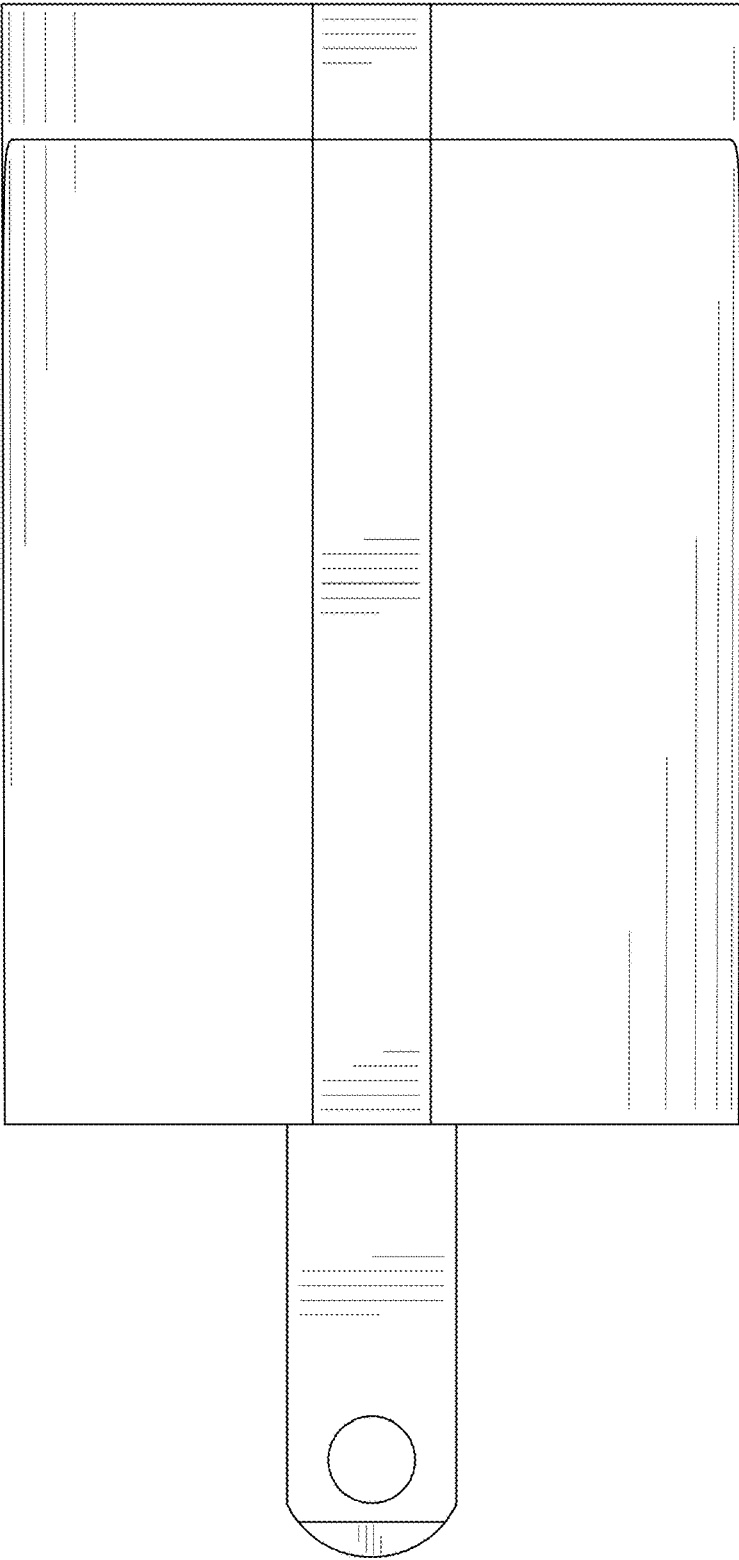


FIG. 14

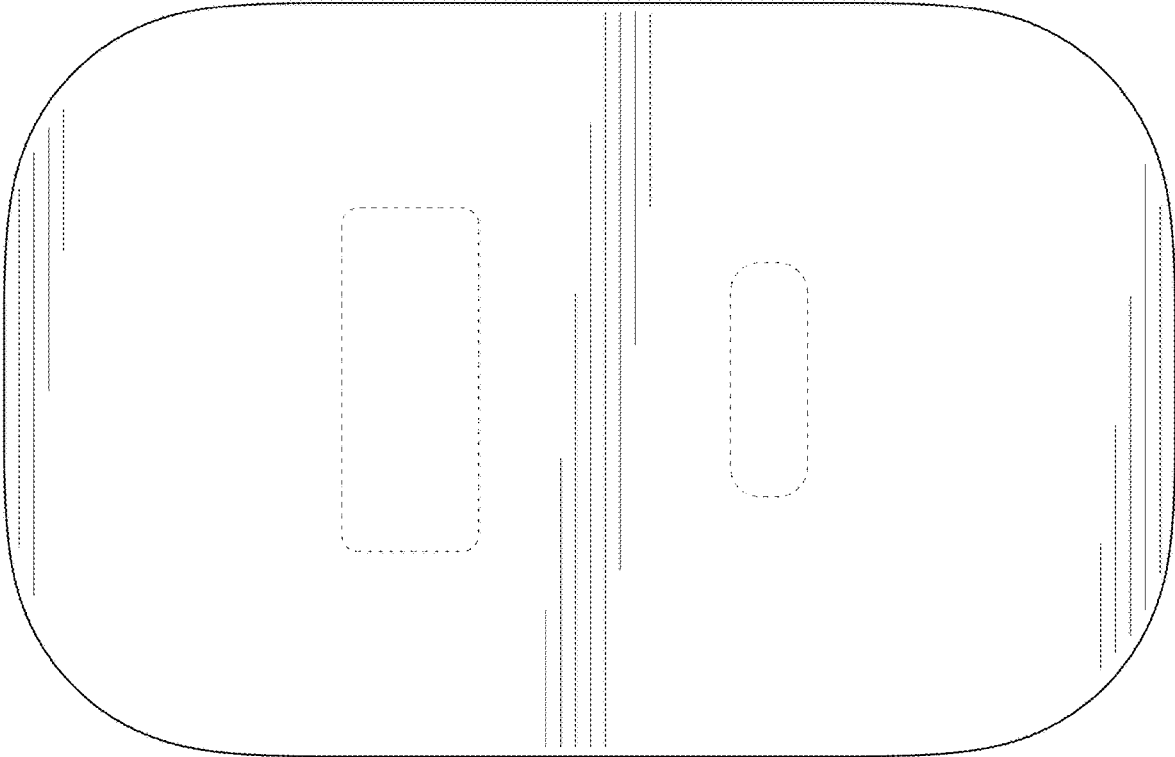


FIG. 15

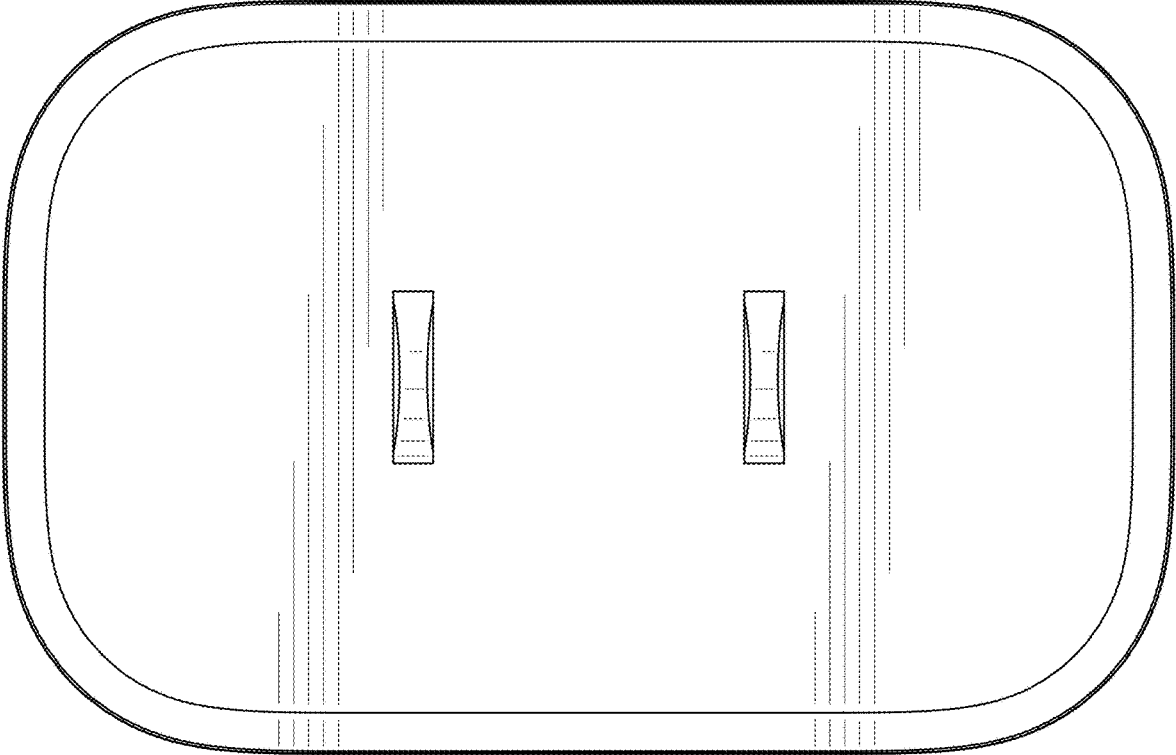


FIG. 16

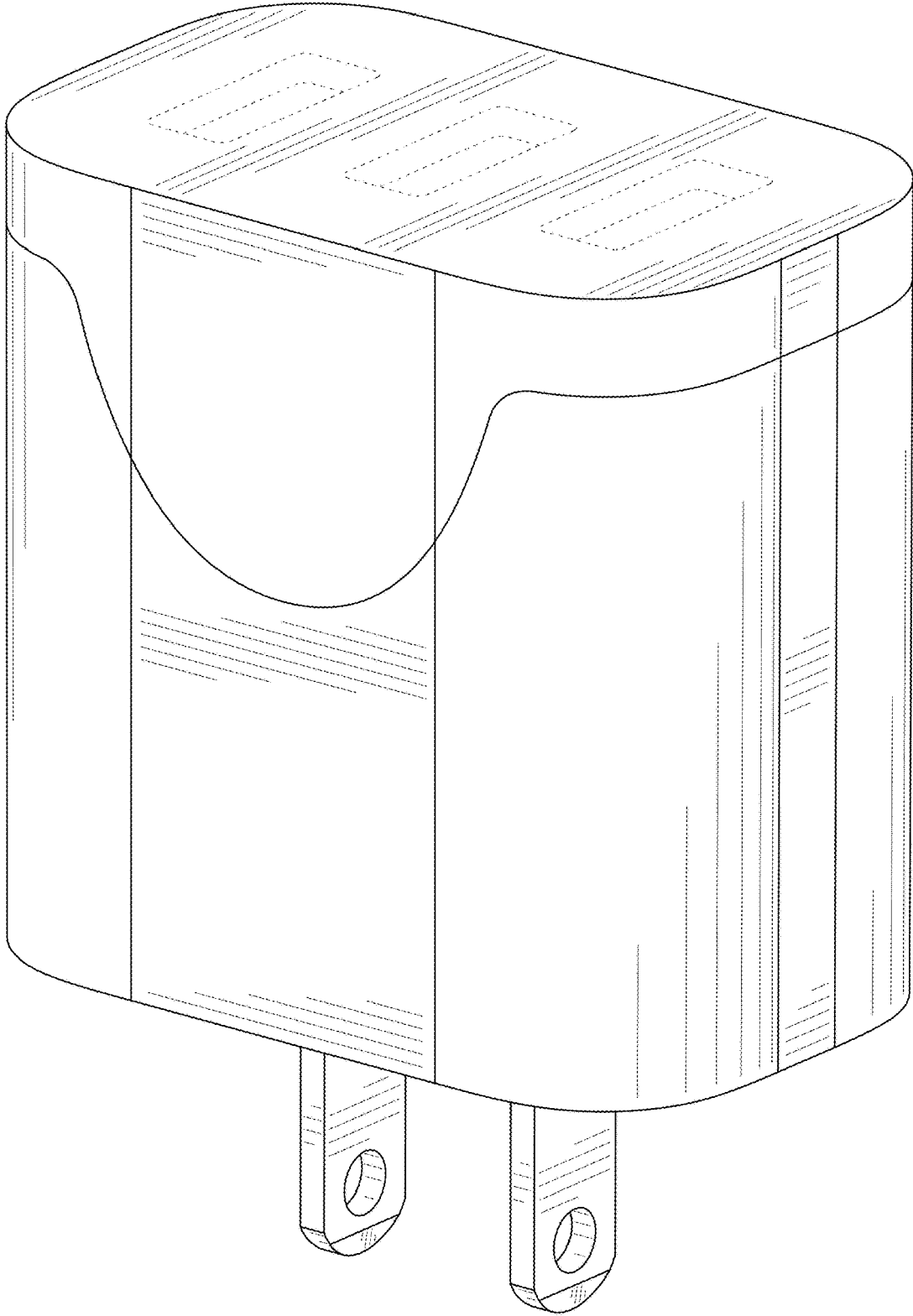


FIG. 17

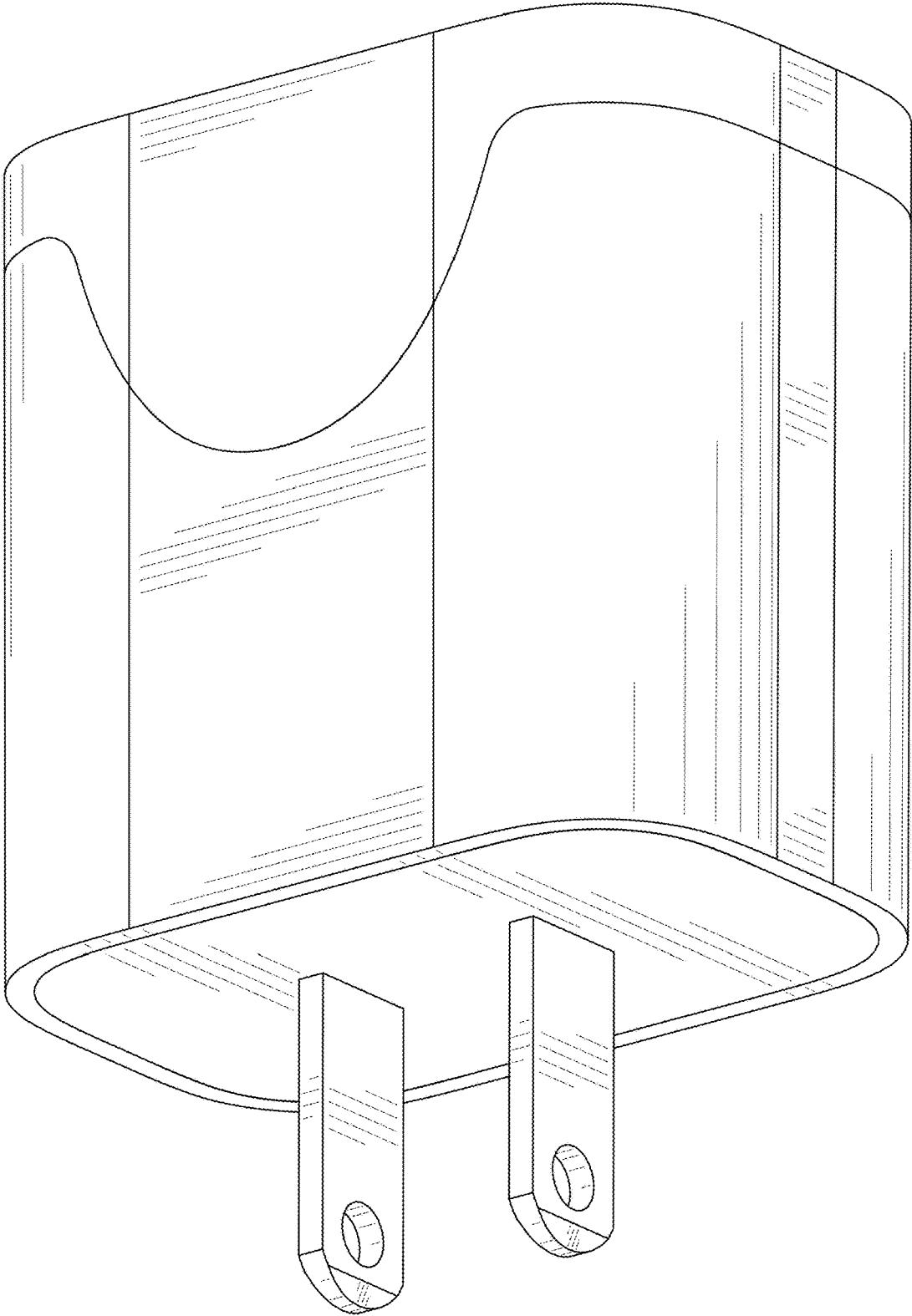


FIG. 18

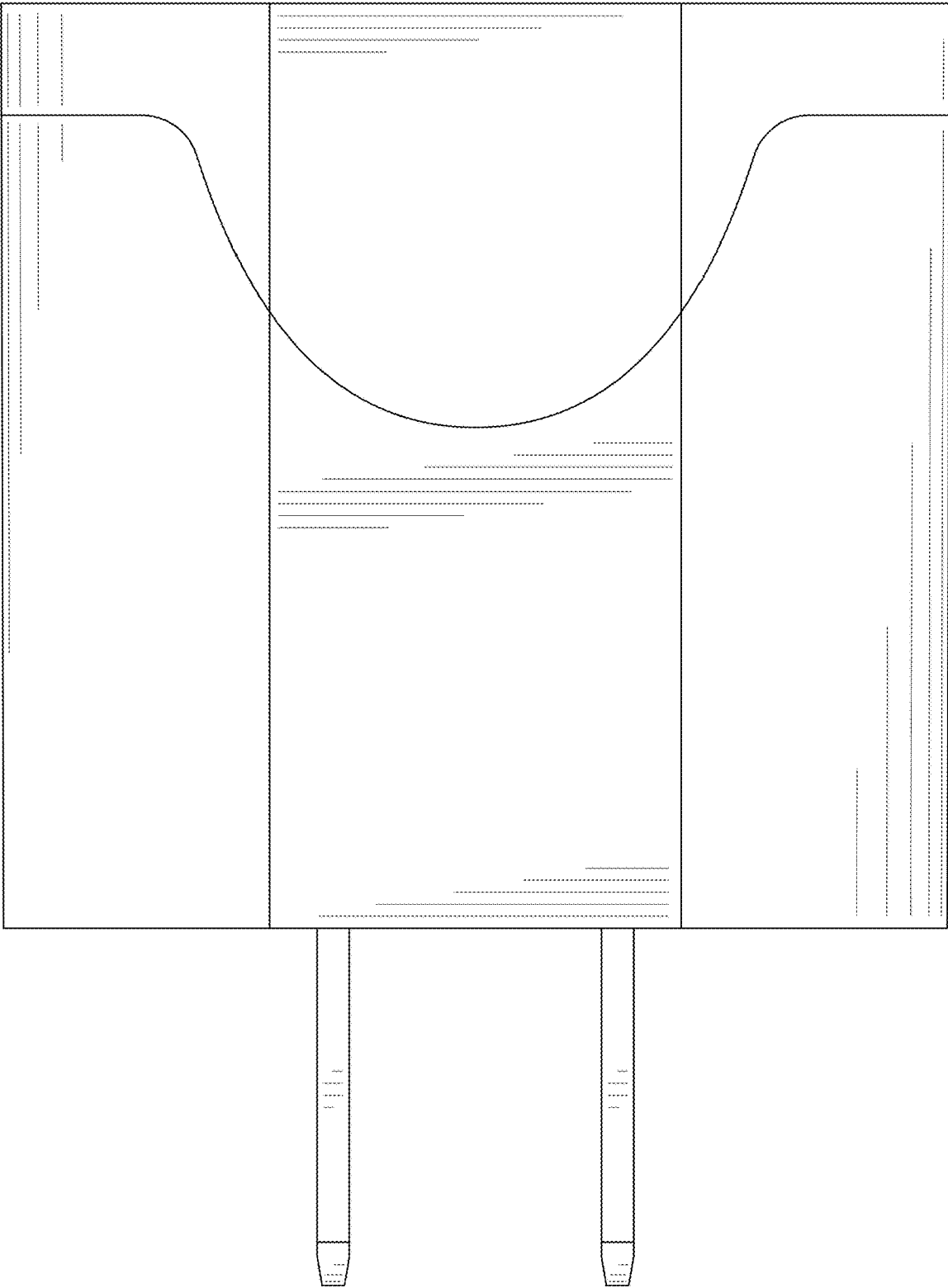


FIG. 19

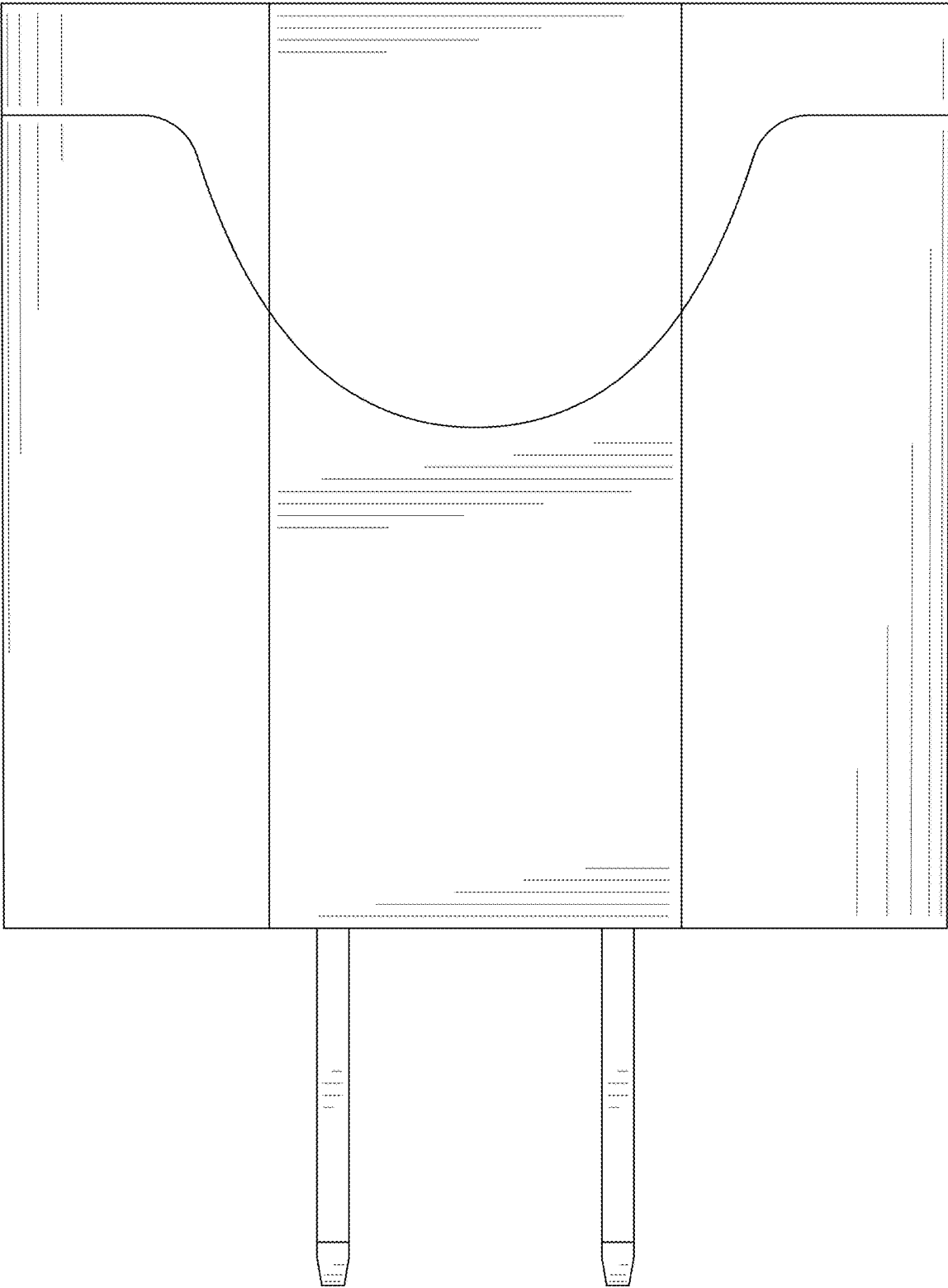


FIG. 20

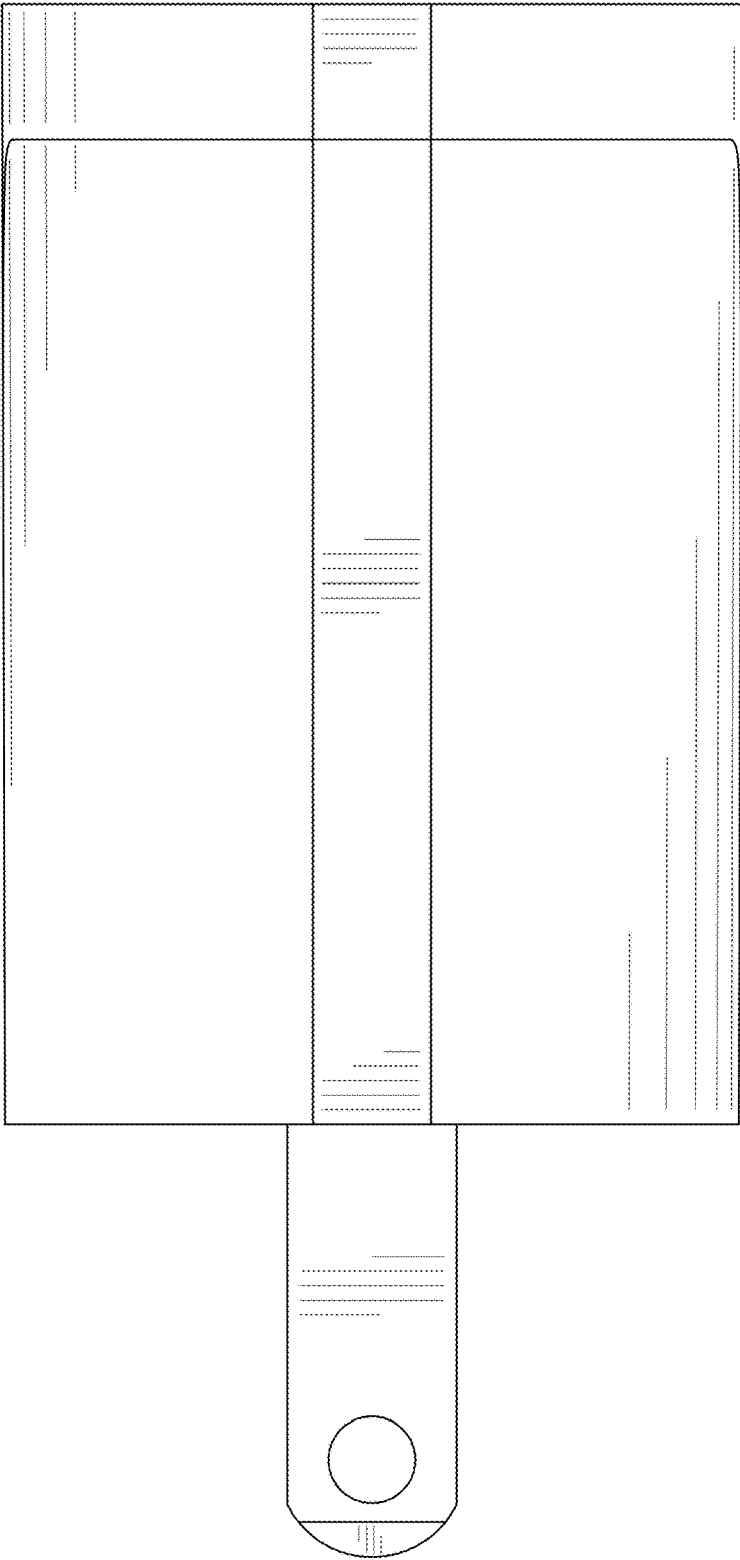


FIG. 21

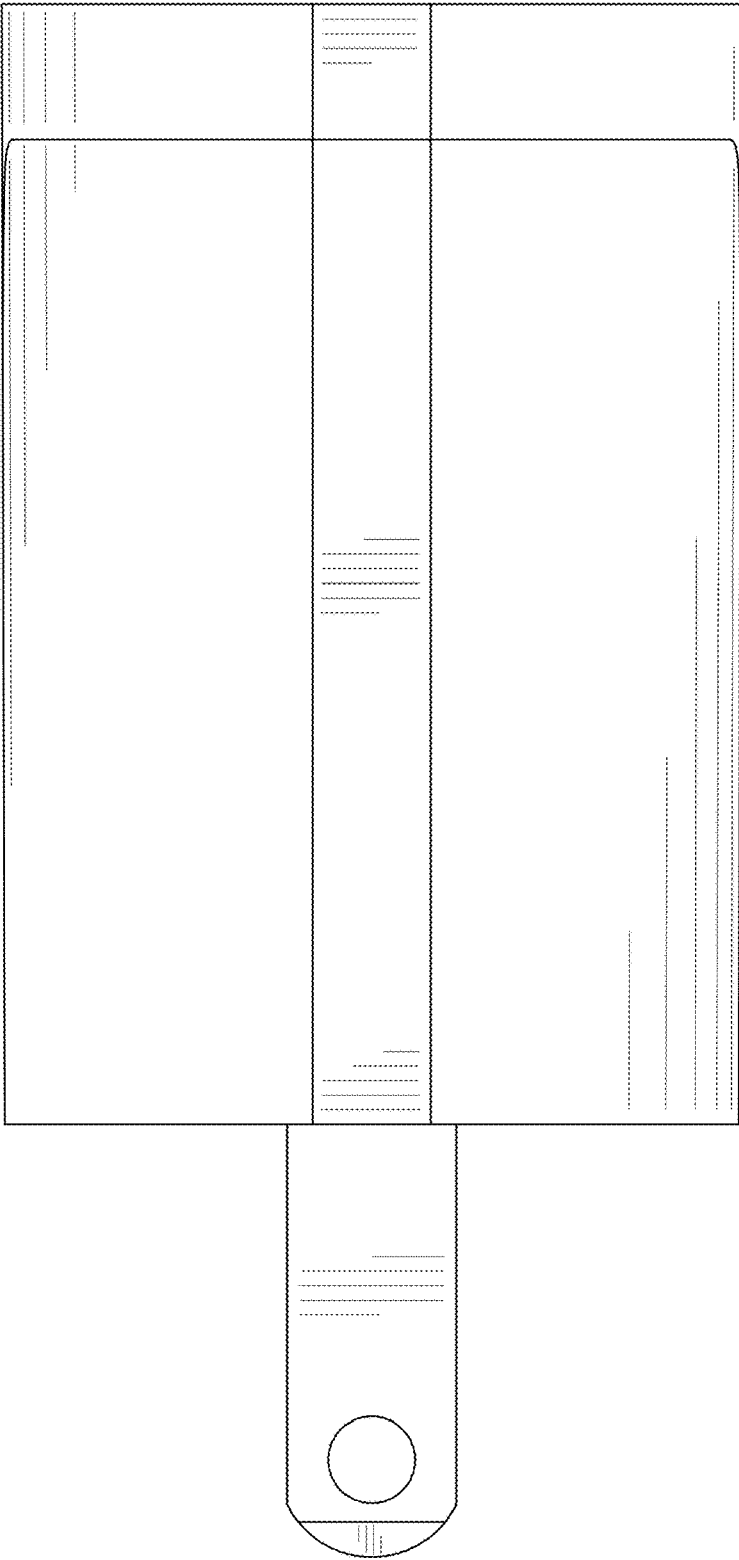


FIG. 22

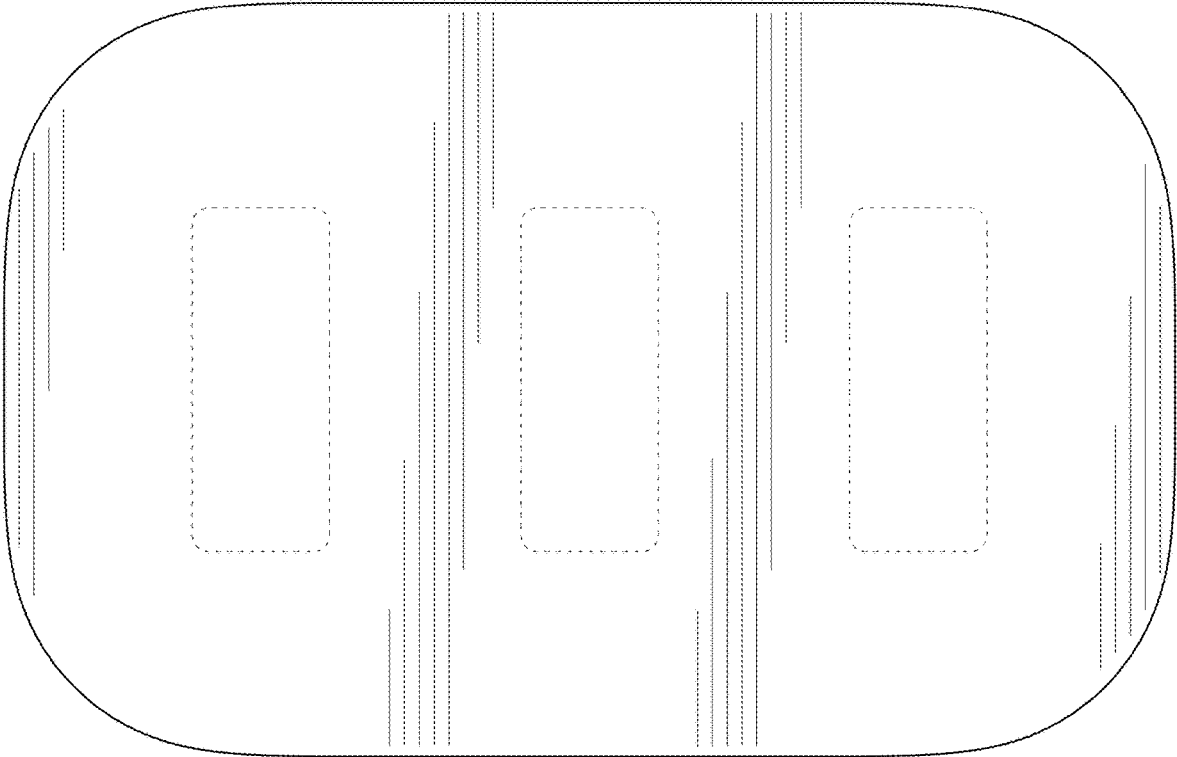


FIG. 23

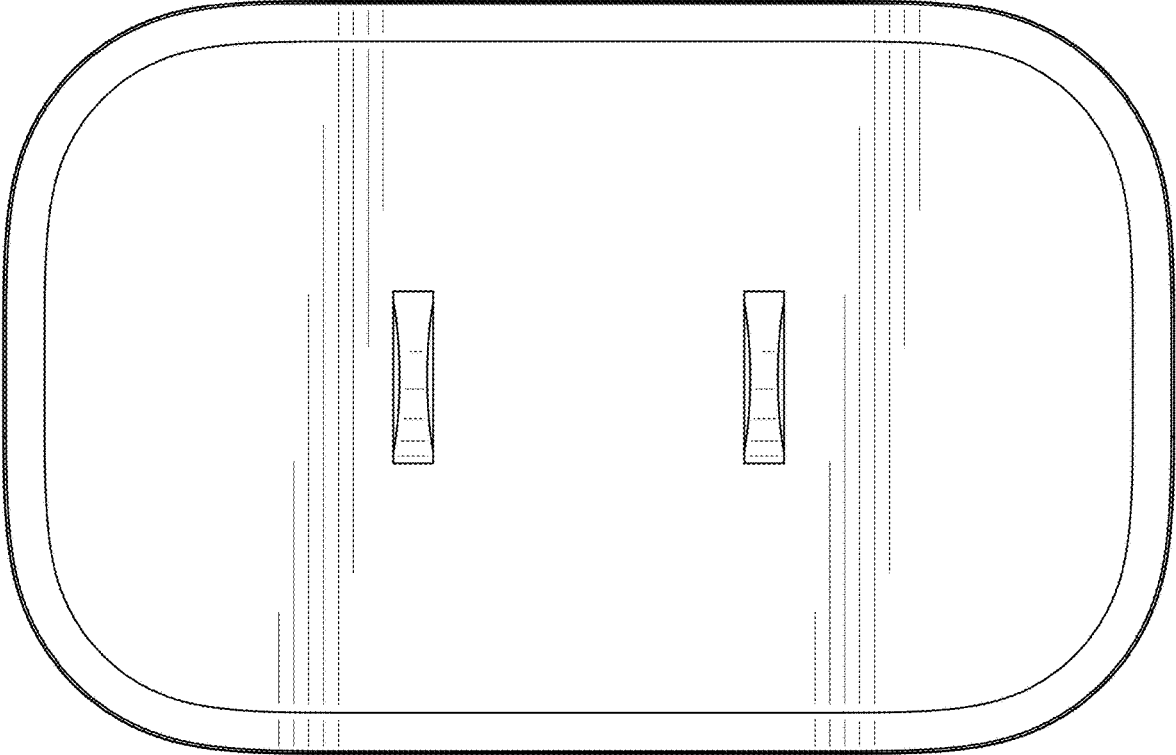


FIG. 24