

(19) World Intellectual Property Organization
International Bureau



(43) International Publication Date
18 October 2007 (18.10.2007)

PCT

(10) International Publication Number
WO 2007/117614 A3

(51) International Patent Classification:
B60S 1/04 (2006.01)

(21) International Application Number:
PCT/US2007/008602

(22) International Filing Date: 5 April 2007 (05.04.2007)

(25) Filing Language: English

(26) Publication Language: English

(30) Priority Data:
60/790,001 6 April 2006 (06.04.2006) US

(71) Applicant and

(72) Inventor: COUCH, John [US/US]; 3292 Emmons Avenue, Rochester Hills, Michigan 48307 (US).

(74) Agents: OLSON, Stephen T. et al.; Harness, Dickey & Pierce, P.L.C., P.O. Box 828, Bloomfield Hills, Michigan 48303 (US).

(81) Designated States (unless otherwise indicated, for every kind of national protection available): AE, AG, AL, AM, AT, AU, AZ, BA, BB, BG, BH, BR, BW, BY, BZ, CA, CH, CN, CO, CR, CU, CZ, DE, DK, DM, DZ, EC, EE, EG, ES,

FI, GB, GD, GE, GH, GM, GT, HN, HR, HU, ID, IL, IN, IS, JP, KE, KG, KM, KN, KP, KR, KZ, LA, LC, LK, LR, LS, LT, LU, LY, MA, MD, MG, MK, MN, MW, MX, MY, MZ, NA, NG, NI, NO, NZ, OM, PG, PH, PL, PT, RO, RS, RU, SC, SD, SE, SG, SK, SL, SM, SV, SY, TJ, TM, TN, TR, TT, TZ, UA, UG, US, UZ, VC, VN, ZA, ZM, ZW.

(84) Designated States (unless otherwise indicated, for every kind of regional protection available): ARIPO (BW, GH, GM, KE, LS, MW, MZ, NA, SD, SL, SZ, TZ, UG, ZM, ZW), Eurasian (AM, AZ, BY, KG, KZ, MD, RU, TJ, TM), European (AT, BE, BG, CH, CY, CZ, DE, DK, EE, ES, FI, FR, GB, GR, HU, IE, IS, IT, LT, LU, LV, MC, MT, NL, PL, PT, RO, SE, SI, SK, TR), OAPI (BF, BJ, CF, CG, CI, CM, GA, GN, GQ, GW, ML, MR, NE, SN, TD, TG).

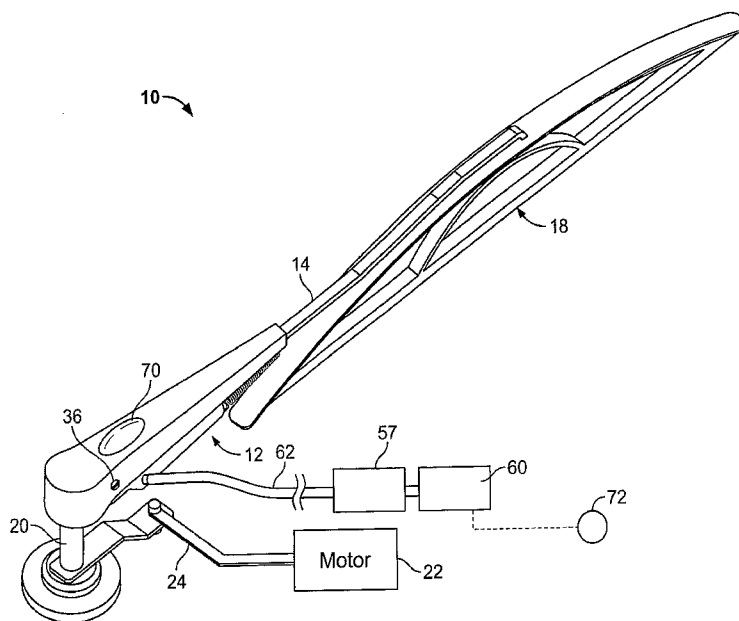
Published:

- with international search report
- before the expiration of the time limit for amending the claims and to be republished in the event of receipt of amendments

(88) Date of publication of the international search report:
17 January 2008

For two-letter codes and other abbreviations, refer to the "Guidance Notes on Codes and Abbreviations" appearing at the beginning of each regular issue of the PCT Gazette.

(54) Title: ASSEMBLY FOR REMOVING DEBRIS FROM A WINDSHIELD



(57) Abstract: A wiper system for use with a windshield includes a wiper arm and a separator assembly. The wiper arm includes a wiper blade movable between a use position and a raised position. The wiper blade is in contact with the windshield in the use position and removed from the windshield in the raised position. The separator assembly includes a base and an air bladder secured to the base. The base is adapted to receive a source of pressurized air for selectively inflating the air bladder to toggle the wiper blade between the use position and the raised position.

WO 2007/117614 A3

INTERNATIONAL SEARCH REPORT

International application No.

PCT/US 07/08602

A. CLASSIFICATION OF SUBJECT MATTER IPC(8) - B60S 1/04 (2007.01) USPC - 15/250.19 According to International Patent Classification (IPC) or to both national classification and IPC		
B. FIELDS SEARCHED Minimum documentation searched (classification system followed by classification symbols) USPC: 15/250.19 Documentation searched other than minimum documentation to the extent that such documents are included in the fields searched USPC: all classes (text search--see keywords) Electronic data base consulted during the international search (name of data base and, where practicable, search terms used) PubWEST (PGPB, USPT, EPAB, JPAB), Google Scholar, Google Patents Keywords: Windshield wiper, bladder, balloon, pneumatic, clamp, circular, ring, cylindrical, car, automobile, raise, lift		
C. DOCUMENTS CONSIDERED TO BE RELEVANT		
Category*	Citation of document, with indication, where appropriate, of the relevant passages	Relevant to claim No.
Y	US 2004/0045114 A1 (COUCH) 11 March 2004 (11.03.2004) para [0045], [0046], [0053], [0079], [0080]; Fig 15	1-20
Y	US 2004/0068821 A1 (GENICK et al.) 15 April 2004 (15.04.2004) para [0042]	1-20
Y	US 6,622,338 B1 (CHEN et al.) 23 September 2003 (23.09.2003) col 2, ln 27-42; Fig 4	7, 17
Y	US 5,799,359 A (DOCKERY et al.) 01 September 1998 (01.09.1998) Fig 6, 7	12-20
Y	US 6,402,491 B1 (GOTO) 11 June 2002 (11.06.2002) col 3, ln 41-56; Fig 1	12, 14-20
<input type="checkbox"/> Further documents are listed in the continuation of Box C. <input type="checkbox"/>		
* Special categories of cited documents: "A" document defining the general state of the art which is not considered to be of particular relevance "E" earlier application or patent but published on or after the international filing date "L" document which may throw doubts on priority claim(s) or which is cited to establish the publication date of another citation or other special reason (as specified) "O" document referring to an oral disclosure, use, exhibition or other means "P" document published prior to the international filing date but later than the priority date claimed "T" later document published after the international filing date or priority date and not in conflict with the application but cited to understand the principle or theory underlying the invention "X" document of particular relevance; the claimed invention cannot be considered novel or cannot be considered to involve an inventive step when the document is taken alone "Y" document of particular relevance; the claimed invention cannot be considered to involve an inventive step when the document is combined with one or more other such documents, such combination being obvious to a person skilled in the art "&" document member of the same patent family		
Date of the actual completion of the international search 01 October 2007 (01.10.2007)		Date of mailing of the international search report 09 NOV 2007
Name and mailing address of the ISA/US Mail Stop PCT, Attn: ISA/US, Commissioner for Patents P.O. Box 1450, Alexandria, Virginia 22313-1450 Facsimile No. 571-273-3201		Authorized officer: Lee W. Young PCT Helpdesk: 571-272-4300 PCT OSP: 571-272-7774