



US00D728519S

(12) **United States Design Patent**
Bongkun et al.

(10) **Patent No.:** **US D728,519 S**

(45) **Date of Patent:** **** May 5, 2015**

(54) **SPEAKER**

(71) Applicant: **Samsung Electronics Co., Ltd.**,
Suwon-si (KR)

(72) Inventors: **Shin Bongkun**, Seoul (KR); **Ann Sungjin**, Seoul (KR)

(73) Assignee: **Samsung Electronics Co., Ltd.**,
Suwon-Si (KR)

(**) Term: **14 Years**

(21) Appl. No.: **29/460,510**

(22) Filed: **Jul. 11, 2013**

(30) **Foreign Application Priority Data**

Jan. 14, 2013 (KR) 30-2013-0002275

(51) **LOC (10) Cl.** **14-03**

(52) **U.S. Cl.**
USPC **D14/216**

(58) **Field of Classification Search**

USPC D14/167, 168, 170-172, 188, 194-196,
D14/204, 207, 209.1, 210-216, 219, 221,
D14/222, 224, 496; 181/143, 144, 147, 148,
181/150, 153, 157, 198, 199; 381/300-303,
381/306, 332, 333, 336, 345, 361-364,
381/386-388; 369/6-12

See application file for complete search history.

(56) **References Cited**

U.S. PATENT DOCUMENTS

D266,409 S *	10/1982	Hoese	D12/114
D474,998 S *	5/2003	Green	D12/114
D534,520 S *	1/2007	Caspi et al.	D14/168
D534,521 S *	1/2007	Caspi et al.	D14/168
D542,263 S *	5/2007	Caspi et al.	D14/168
D587,245 S *	2/2009	Morra	D14/215
D587,686 S *	3/2009	Lee	D14/214
D625,288 S *	10/2010	Ueda	D14/209.1
D633,077 S *	2/2011	Miller	D14/168
D704,678 S *	5/2014	Katsumata	D14/209.1
D709,855 S *	7/2014	Jonas	D14/168

* cited by examiner

Primary Examiner — Keli L Hill

(74) *Attorney, Agent, or Firm* — Ladas & Parry LLP

(57) **CLAIM**

The ornamental design for a speaker, as shown and described.

DESCRIPTION

FIG. 1 is the front/right-side/top perspective view of a speaker showing our new design;
FIG. 2 is the front elevational view thereof;
FIG. 3 is the rear elevational view thereof;
FIG. 4 is the left-side elevational view thereof;
FIG. 5 is the right-side elevational view thereof;
FIG. 6 is the top-side plan view thereof; and,
FIG. 7 is the bottom-side plan view thereof.
The shade lines in the figures show contour and not surface ornamentation.
The broken lines shown in the drawings represent unclaimed portions.

1 Claim, 7 Drawing Sheets

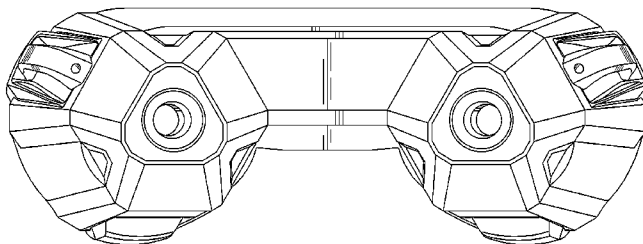
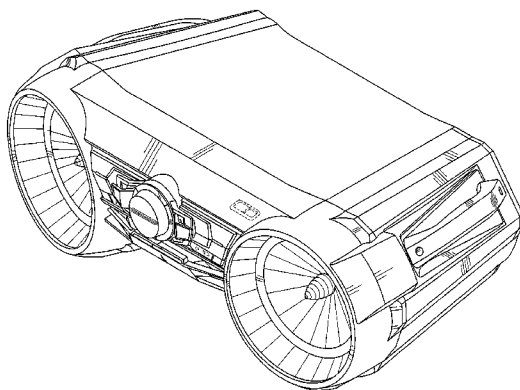


FIG. 1

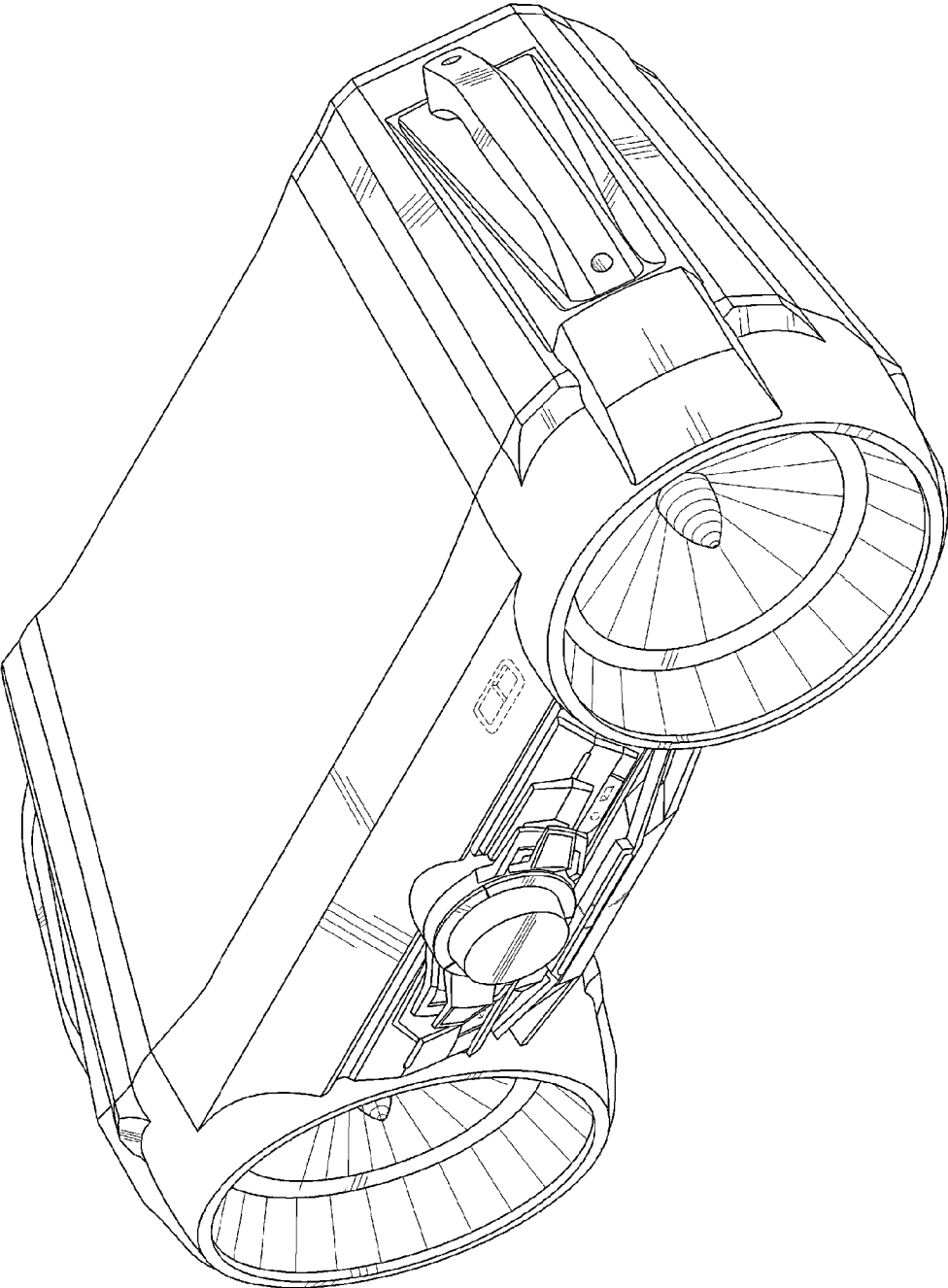


FIG. 2

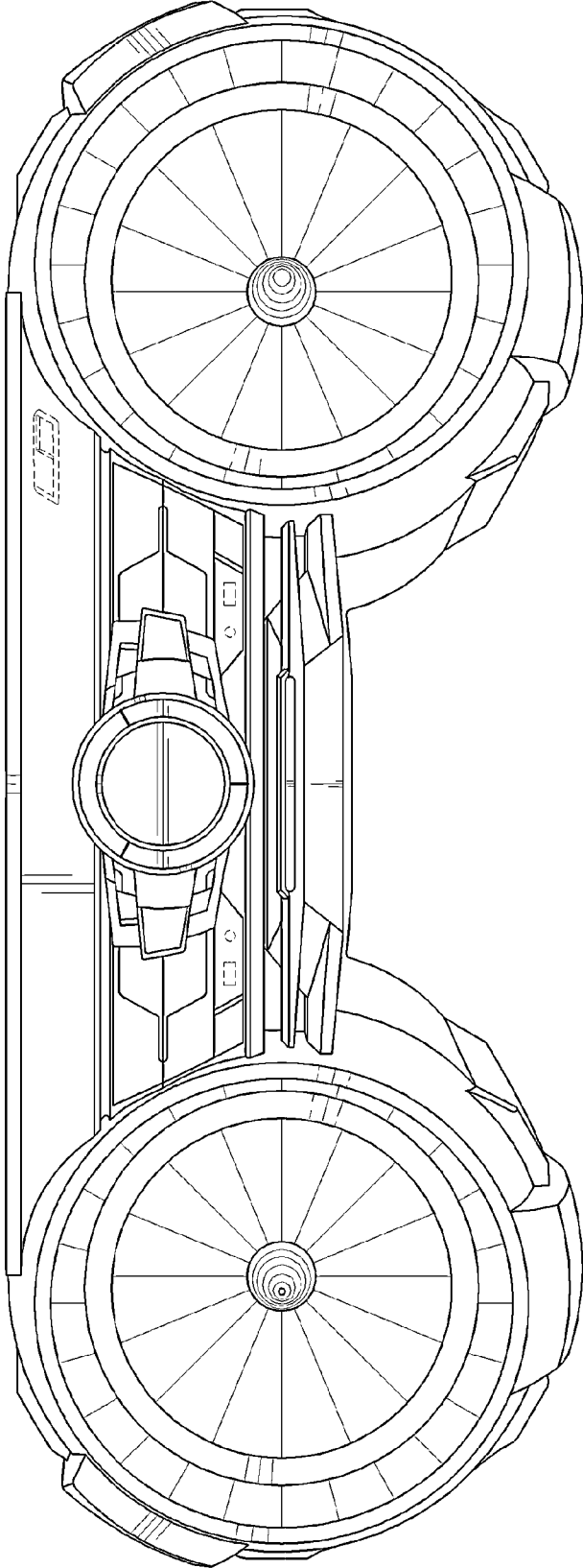


FIG. 3

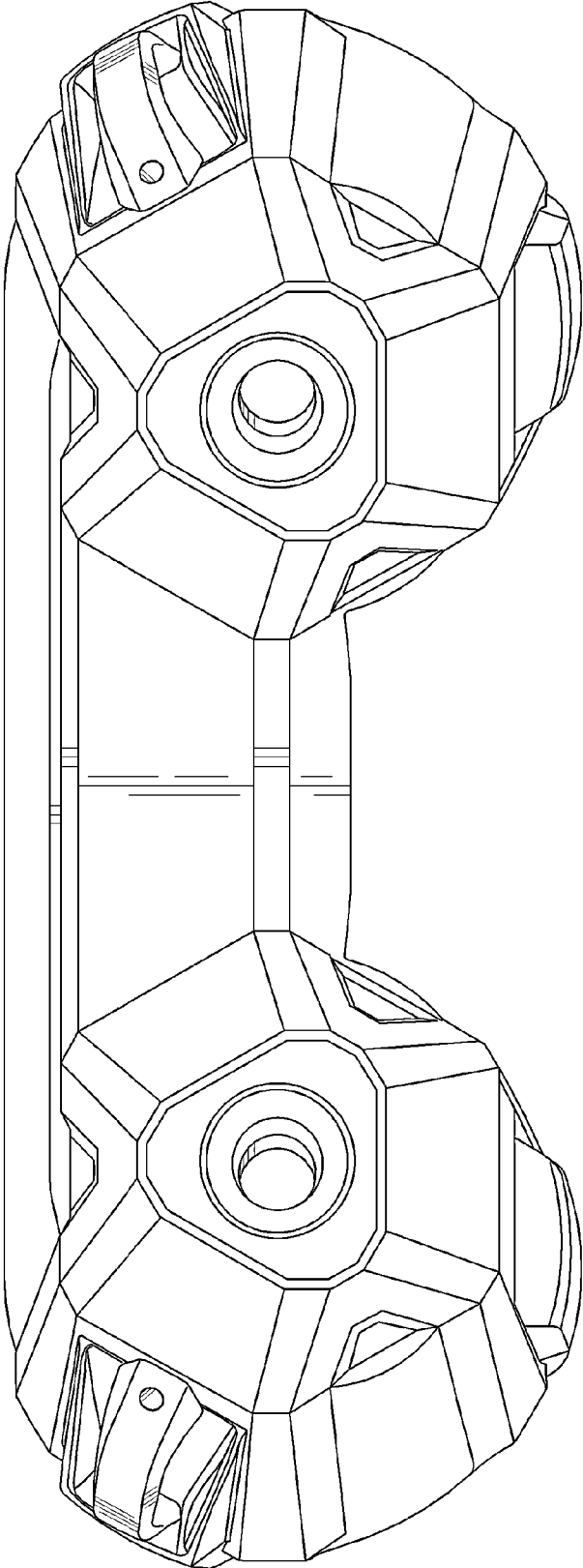


FIG. 4

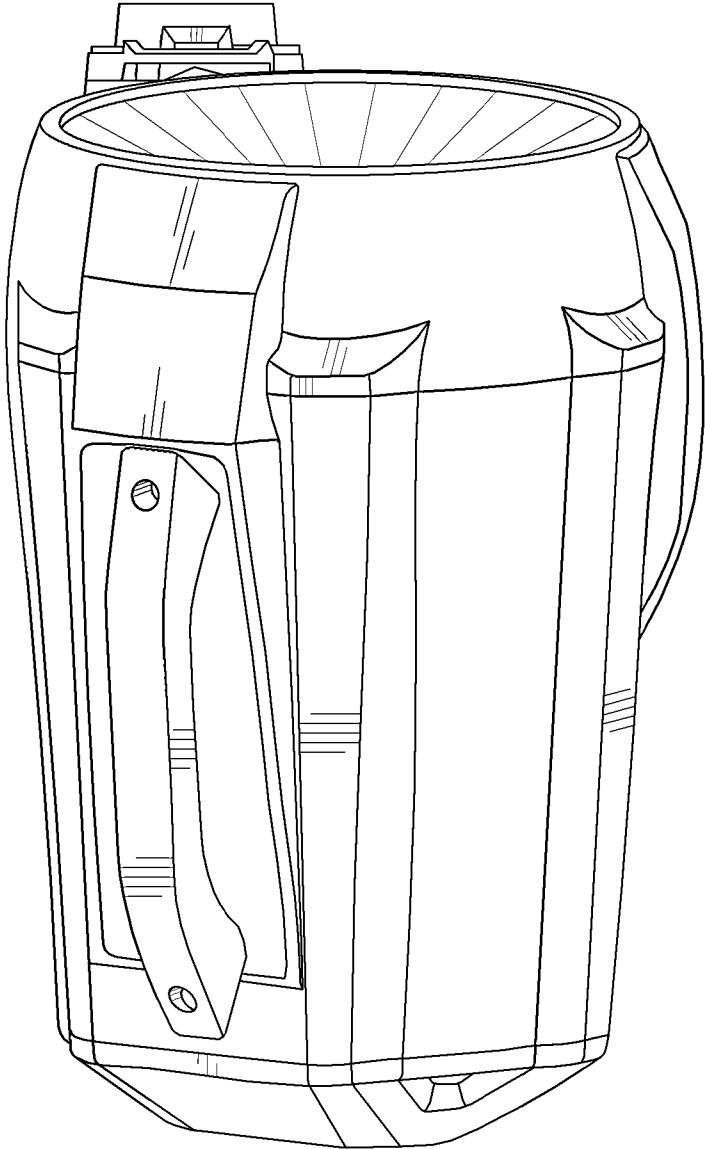


FIG. 5

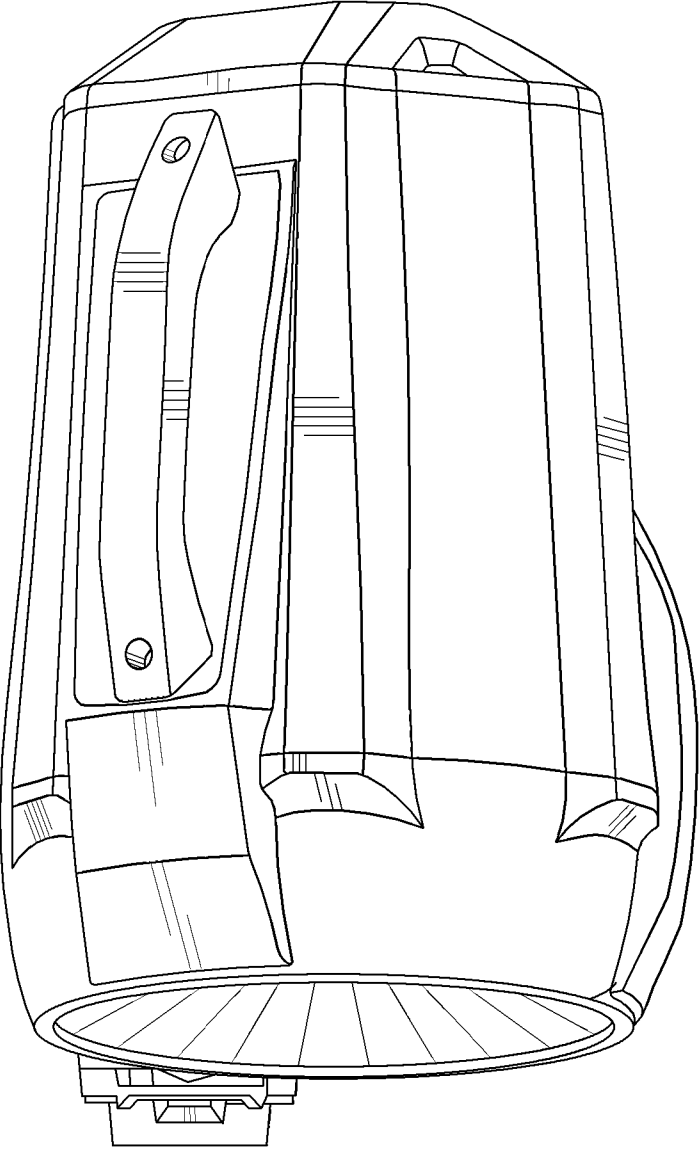


FIG. 6

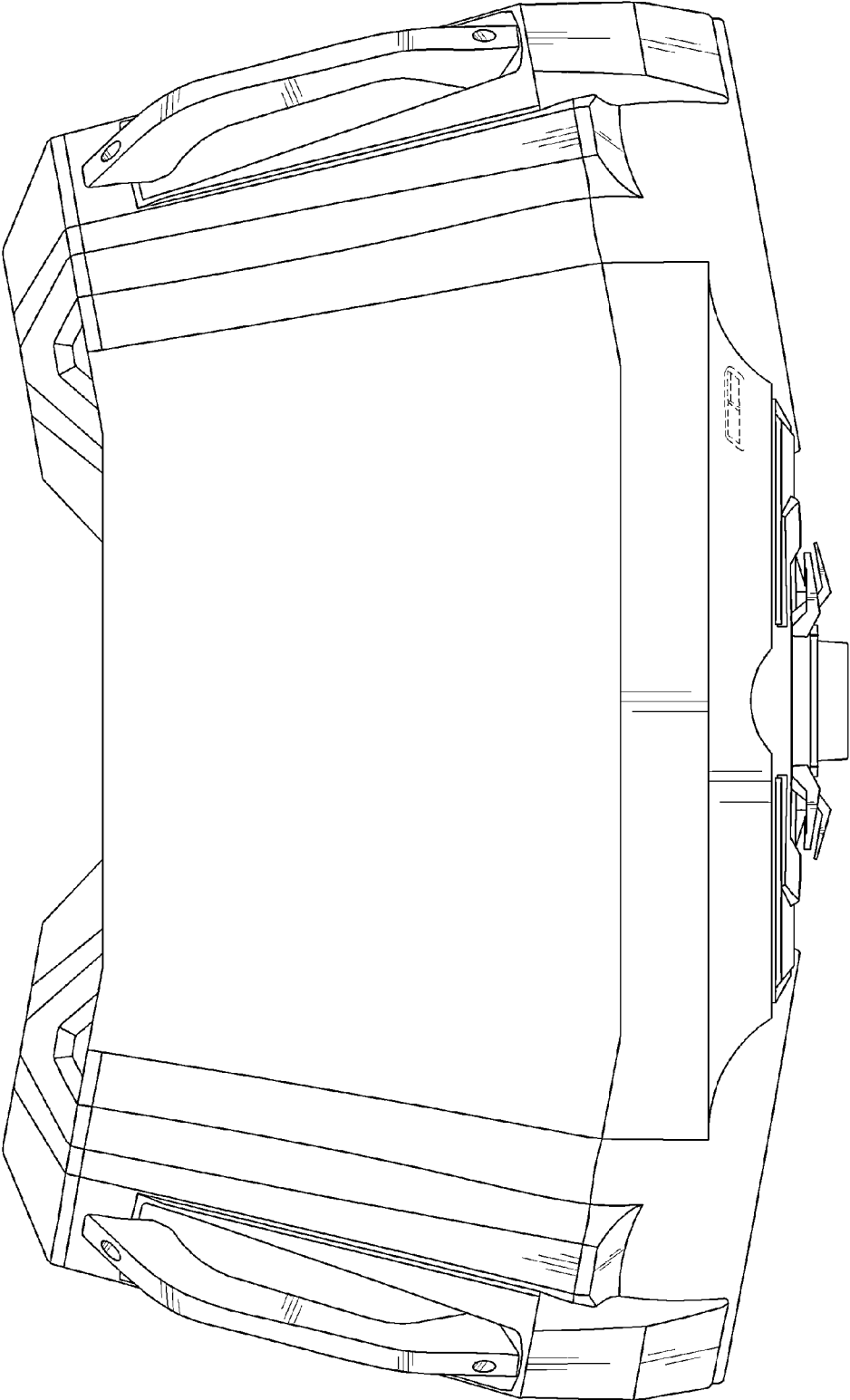


FIG. 7

