



- (51) **International Patent Classification:**
A63B 63/08 (2006.01) *G07C 1/28* (2006.01)
A63B 71/06 (2006.01) *G04G 21/00* (2010.01)
G04F 10/00 (2006.01)
- (21) **International Application Number:**
PCT/IL2010/000475
- (22) **International Filing Date:**
16 June 2010 (16.06.2010)
- (25) **Filing Language:** English
- (26) **Publication Language:** English
- (30) **Priority Data:**
61/187,737 17 June 2009 (17.06.2009) US
- (71) **Applicant (for all designated States except US):** PURE GAME SOLUTIONS LTD [IL/IL]; Kibbutz Magal, 38845 D.N Hefer 38845 (IL).
- (72) **Inventors; and**
- (75) **Inventors/Applicants (for US only):** LIDOR, Noam [IL/IL]; Kibbutz Magal, 38845 D.N Hefer (IL). LEKACH, Ori [IL/IL]; Kibbutz Givat Haim Meuhad, 38930 Givat Haim Meuhad (IL). STERN, Tal [IL/IL]; Kibbutz Givat Haim Meuhad, 38930 Givat Haim Meuhad (IL). CHEN, Yoav [IL/IL]; Kibbutz Givat Haim Meuhad, 38930 Givat Haim Meuhad (IL).
- (74) **Agent:** REINHOLD COHN AND PARTNERS; P.O. Box 13239, 61131 Tel Aviv (IL).

- (81) **Designated States (unless otherwise indicated, for every kind of national protection available):** AE, AG, AL, AM, AO, AT, AU, AZ, BA, BB, BG, BH, BR, BW, BY, BZ, CA, CH, CL, CN, CO, CR, CU, CZ, DE, DK, DM, DO, DZ, EC, EE, EG, ES, FI, GB, GD, GE, GH, GM, GT, HN, HR, HU, ID, IL, IN, IS, JP, KE, KG, KM, KN, KP, KR, KZ, LA, LC, LK, LR, LS, LT, LU, LY, MA, MD, ME, MG, MK, MN, MW, MX, MY, MZ, NA, NG, NI, NO, NZ, OM, PE, PG, PH, PL, PT, RO, RS, RU, SC, SD, SE, SG, SK, SL, SM, ST, SV, SY, TH, TJ, TM, TN, TR, TT, TZ, UA, UG, US, UZ, VC, VN, ZA, ZM, ZW.
- (84) **Designated States (unless otherwise indicated, for every kind of regional protection available):** ARIPO (BW, GH, GM, KE, LR, LS, MW, MZ, NA, SD, SL, SZ, TZ, UG, ZM, ZW), Eurasian (AM, AZ, BY, KG, KZ, MD, RU, TJ, TM), European (AL, AT, BE, BG, CH, CY, CZ, DE, DK, EE, ES, FI, FR, GB, GR, HR, HU, IE, IS, IT, LT, LU, LV, MC, MK, MT, NL, NO, PL, PT, RO, SE, SI, SK, SM, TR), OAPI (BF, BJ, CF, CG, CI, CM, GA, GN, GQ, GW, ML, MR, NE, SN, TD, TG).

Declarations under Rule 4.17:

— of inventorship (Rule 4.17(iv))

Published:

— with international search report (Art. 21(3))

— before the expiration of the time limit for amending the claims and to be republished in the event of receipt of amendments (Rule 48.2(h))

[Continued on next page]

(54) **Title:** SPORTS TIMEKEEPING SYSTEM

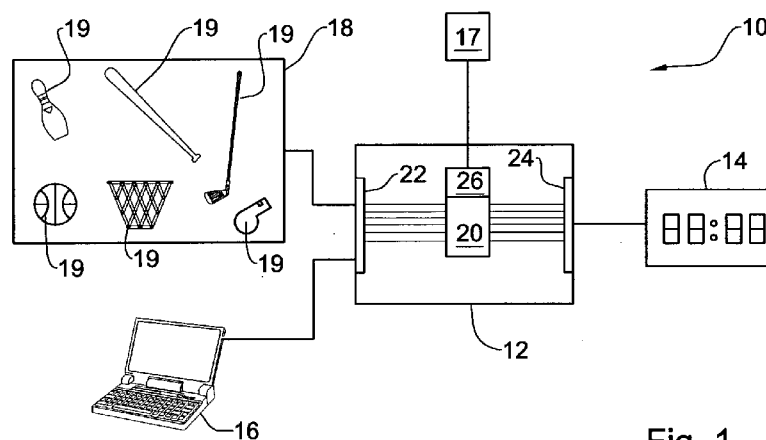


Fig. 1

(57) **Abstract:** A system configured for facilitating timekeeping during the sports game is provided, comprising one or more sensors, a clock configured to display time during the game, and a controller. The sensors are each configured to sense a predefined signal associated with one or more game events during the sports game. The controller is configured to receive information from the sensors regarding a sensed signal, to determine, at least based on the information, that a game event has occurred, and to interface with the clock and control the running thereof, at least in response to the determination of a game event.



(88) Date of publication of the international search report:
10 February 2011

INTERNATIONAL SEARCH REPORT

International application No
PCT/IL2010/000475

A. CLASSIFICATION OF SUBJECT MATTER

INV. A63B63/08 A63B71/06 G04F10/00 G07C1/28 G04G21/00

According to International Patent Classification (IPC) or to both national classification and IPC

B. FIELDS SEARCHED

Minimum documentation searched (classification system followed by classification symbols)

G04F G07C A63B G04G

Documentation searched other than minimum documentation to the extent that such documents are included in the fields searched

Electronic data base consulted during the international search (name of data base and, where practical, search terms used)

EPO-Internal, WPI Data

C. DOCUMENTS CONSIDERED TO BE RELEVANT

Category*	Citation of document, with indication, where appropriate, of the relevant passages	Relevant to claim No.
X	WO 00/73858 A2 (SHAIGEC RODNEY [CA]; ZEE PETER J V D [CA]) 7 December 2000 (2000-12-07)	1-3, 14, 15
Y	pages 4,5,9,12; figures 1,3	4-7
X	US 2003/058744 A1 (CALACE MICHAEL A [CA]) 27 March 2003 (2003-03-27)	1-3, 14, 15
	paragraphs [0022], [0025], [0026]; figures 1,3	
A	US 5 100 133 A (RIVIEZZO FRED A [US] ET AL) 31 March 1992 (1992-03-31)	1-7
	column 1	
Y	WO 01/25946 A1 (HAMPTON RANDAL R [US]) 12 April 2001 (2001-04-12)	4-7
	pages 1,4-10; figures 1,3	
	-/--	

Further documents are listed in the continuation of Box C.

See patent family annex.

* Special categories of cited documents :

- "A" document defining the general state of the art which is not considered to be of particular relevance
- "E" earlier document but published on or after the international filing date
- "L" document which may throw doubts on priority claim(s) or which is cited to establish the publication date of another citation or other special reason (as specified)
- "O" document referring to an oral disclosure, use, exhibition or other means
- "P" document published prior to the international filing date but later than the priority date claimed

- "T" later document published after the international filing date or priority date and not in conflict with the application but cited to understand the principle or theory underlying the invention
- "X" document of particular relevance; the claimed invention cannot be considered novel or cannot be considered to involve an inventive step when the document is taken alone
- "Y" document of particular relevance; the claimed invention cannot be considered to involve an inventive step when the document is combined with one or more other such documents, such combination being obvious to a person skilled in the art.
- "&" document member of the same patent family

Date of the actual completion of the international search

8 October 2010

Date of mailing of the international search report

20/12/2010

Name and mailing address of the ISA/

European Patent Office, P.B. 5818 Patentlaan 2
NL - 2280 HV Rijswijk
Tel. (+31-70) 340-2040,
Fax: (+31-70) 340-3016

Authorized officer

Bream, Philip

INTERNATIONAL SEARCH REPORT

International application No
PCT/IL2010/000475

C(Continuation). DOCUMENTS CONSIDERED TO BE RELEVANT		
Category*	Citation of document, with indication, where appropriate, of the relevant passages	Relevant to claim No.
X,P	US 2010/085167 A1 (COSTABILE MICHAEL JOSEPH [US]) 8 April 2010 (2010-04-08) paragraphs [0010] - [0016]	1-4
A,P	US 2009/191988 A1 (KLEIN WILLIAM M [US]) 30 July 2009 (2009-07-30) paragraphs [0008] - [0010]; figure 1	1-7

INTERNATIONAL SEARCH REPORT

International application No.
PCT/IL2010/000475

Box No. II Observations where certain claims were found unsearchable (Continuation of item 2 of first sheet)

This international search report has not been established in respect of certain claims under Article 17(2)(a) for the following reasons:

1. Claims Nos.:
because they relate to subject matter not required to be searched by this Authority, namely:

2. Claims Nos.:
because they relate to parts of the international application that do not comply with the prescribed requirements to such an extent that no meaningful international search can be carried out, specifically:

3. Claims Nos.:
because they are dependent claims and are not drafted in accordance with the second and third sentences of Rule 6.4(a).

Box No. III Observations where unity of invention is lacking (Continuation of item 3 of first sheet)

This International Searching Authority found multiple inventions in this international application, as follows:

see additional sheet

1. As all required additional search fees were timely paid by the applicant, this international search report covers all searchable claims.
2. As all searchable claims could be searched without effort justifying an additional fees, this Authority did not invite payment of additional fees.
3. As only some of the required additional search fees were timely paid by the applicant, this international search report covers only those claims for which fees were paid, specifically claims Nos.:
4. No required additional search fees were timely paid by the applicant. Consequently, this international search report is restricted to the invention first mentioned in the claims; it is covered by claims Nos.:

1-7, 14, 15

Remark on Protest

- The additional search fees were accompanied by the applicant's protest and, where applicable, the payment of a protest fee.
- The additional search fees were accompanied by the applicant's protest but the applicable protest fee was not paid within the time limit specified in the invitation.
- No protest accompanied the payment of additional search fees.

FURTHER INFORMATION CONTINUED FROM PCT/ISA/ 210

This International Searching Authority found multiple (groups of) inventions in this international application, as follows:

1. claims: 1-7, 14, 15

Detecting a goal in basketball.

2. claims: 8-13

Detecting contact with a basketball.

3. claims: 16-18

Detecting contact with a basketball playing surface.

4. claims: 19, 20

Providing sports information to viewers.

INTERNATIONAL SEARCH REPORT

Information on patent family members

International application No PCT/IL2010/000475

Patent document cited in search report	Publication date	Publication date	Patent family member(s)	Publication date	
WO 0073858	A2	07-12-2000	AU CA	4904900 A 2272835 A1	18-12-2000 26-11-2000
US 2003058744	A1	27-03-2003	NONE		
US 5100133	A	31-03-1992	NONE		
WO 0125946	A1	12-04-2001	AU US	7848100 A 6389368 B1	10-05-2001 14-05-2002
US 2010085167	A1	08-04-2010	NONE		
US 2009191988	A1	30-07-2009	NONE		