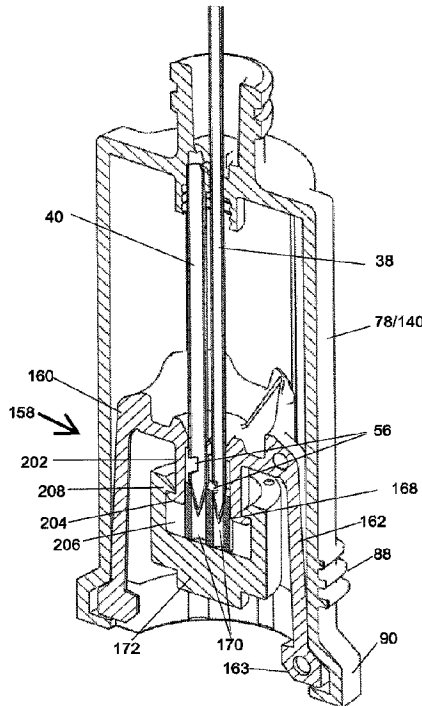




(86) Date de dépôt PCT/PCT Filing Date: 2017/04/19
 (87) Date publication PCT/PCT Publication Date: 2017/10/26
 (45) Date de délivrance/Issue Date: 2024/06/18
 (85) Entrée phase nationale/National Entry: 2018/10/15
 (86) N° demande PCT/PCT Application No.: IL 2017/050457
 (87) N° publication PCT/PCT Publication No.: 2017/183031
 (30) Priorité/Priority: 2016/04/21 (IL245289)

(51) Cl.Int./Int.Cl. *A61J 1/14* (2006.01),
A61J 1/20 (2006.01)
 (72) Inventeurs/Inventors:
KRIHELI, MARINO, IL;
TAVOR, RAANAN, IL
 (73) Propriétaire/Owner:
EQUASHIELD MEDICAL LTD., IL
 (74) Agent: FASKEN MARTINEAU DUMOULIN LLP

(54) Titre : SUPPORT DE SEPTUM A SEPTUM MOBILE
 (54) Title: A SEPTUM HOLDER WITH MOVEABLE SEPTUM



(57) **Abrégé/Abstract:**

Disclosed is a septum holder that comprises a body having an upper body part and a lower body part that has a bored out interior. An insert comprising at least one bore that forms the seat of a needle valve fits loosely into the bored out interior of the lower body part. A septum comprising an upper part is attached to an exterior surface of the lower body part of the septum holder. A lower part of the septum extends downward beyond the lower edge of the lower body part of the septum holder. The septum holder is characterized in that the insert can freely move up and down in the interior of the lower body part and the septum can freely move up and down on the exterior surface of the lower body part. Also disclosed is a connector section for a liquid transfer apparatus that comprises the septum holder.

(12) INTERNATIONAL APPLICATION PUBLISHED UNDER THE PATENT COOPERATION TREATY (PCT)

(19) World Intellectual Property
Organization
International Bureau

(43) International Publication Date
26 October 2017 (26.10.2017)



(10) International Publication Number
WO 2017/183031 A1

(51) International Patent Classification:

A61J 1/14 (2006.01) A61J 1/20 (2006.01)

(21) International Application Number:

PCT/IL2017/050457

(22) International Filing Date:

19 April 2017 (19.04.2017)

(25) Filing Language:

English

(26) Publication Language:

English

(30) Priority Data:

245289 21 April 2016 (21.04.2016) IL

(71) Applicant: EQUASHIELD MEDICAL LTD. [IL/IL];
P.O.B. 26, 2495900 Tefen Industrial Park (IL).(72) Inventors: KRIHELI, Marino; 7 Marc Chagall Street,
6967203 Tel Aviv (IL). TAVOR, Raanan; 18 Vardit
Street, P.O.B. 479, 2014200 Yuvalim (IL).(74) Agent: ALPERT, Bruce et al.; Luzzatto & Luzzatto, P.O.
Box 5352, 8415202 Beer Sheva (IL).(81) Designated States (unless otherwise indicated, for every
kind of national protection available): AE, AG, AL, AM,
AO, AT, AU, AZ, BA, BB, BG, BH, BN, BR, BW, BY, BZ,
CA, CH, CL, CN, CO, CR, CU, CZ, DE, DJ, DK, DM, DO,
DZ, EC, EE, EG, ES, FI, GB, GD, GE, GH, GM, GT, HN,
HR, HU, ID, IL, IN, IR, IS, JP, KE, KG, KH, KN, KP, KR,

KW, KZ, LA, LC, LK, LR, LS, LU, LY, MA, MD, ME, MG,
MK, MN, MW, MX, MY, MZ, NA, NG, NI, NO, NZ, OM,
PA, PE, PG, PH, PL, PT, QA, RO, RS, RU, RW, SA, SC,
SD, SE, SG, SK, SL, SM, ST, SV, SY, TH, TJ, TM, TN, TR,
TT, TZ, UA, UG, US, UZ, VC, VN, ZA, ZM, ZW.

(84) Designated States (unless otherwise indicated, for every
kind of regional protection available): ARIPO (BW, GH,
GM, KE, LR, LS, MW, MZ, NA, RW, SD, SL, ST, SZ, TZ,
UG, ZM, ZW), Eurasian (AM, AZ, BY, KG, KZ, RU, TJ,
TM), European (AL, AT, BE, BG, CH, CY, CZ, DE, DK,
EE, ES, FI, FR, GB, GR, HR, HU, IE, IS, IT, LT, LU, LV,
MC, MK, MT, NL, NO, PL, PT, RO, RS, SE, SI, SK, SM,
TR), OAPI (BF, BJ, CF, CG, CI, CM, GA, GN, GQ, GW,
KM, ML, MR, NE, SN, TD, TG).

Declarations under Rule 4.17:

— of inventorship (Rule 4.17(iv))

Published:

— with international search report (Art. 21(3))

(54) Title: A SEPTUM HOLDER WITH MOVEABLE SEPTUM

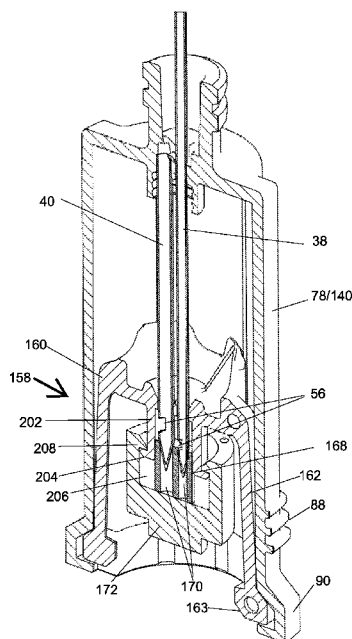


Fig. 13

(57) Abstract: Disclosed is a septum holder that comprises a body having an upper body part and a lower body part that has a bored out interior. An insert comprising at least one bore that forms the seat of a needle valve fits loosely into the bored out interior of the lower body part. A septum comprising an upper part is attached to an exterior surface of the lower body part of the septum holder. A lower part of the septum extends downward beyond the lower edge of the lower body part of the septum holder. The septum holder is characterized in that the insert can freely move up and down in the interior of the lower body part and the septum can freely move up and down on the exterior surface of the lower body part. Also disclosed is a connector section for a liquid transfer apparatus that comprises the septum holder.

WO 2017/183031 A1

A SEPTUM HOLDER WITH MOVEABLE SEPTUM

5 Field of the Invention

The present invention relates to the field of fluid transfer devices. Particularly, the invention relates to apparatus for the contamination-free transfer of a hazardous drug from one container to another. More particularly, the invention relates to improvements in the connector sections that are used in fluid transfer apparatuses.

10

Background of the Invention

Advances in medical treatment and improved procedures constantly increase the need for improved apparatus for handling medications in liquid form. The demands relating to variety of types, quality, needle safety, microbial ingress prevention and leak prevention are constantly growing. Additionally, advances in sampling or dose dispensing technologies, automated and manual, aseptic or non-aseptic applications, call for new safe concealing solutions for the sampling needle. One extremely demanding application exists in the field where medical and pharmacological personnel that are involved in the preparation and administration of hazardous drugs suffer the risk of being exposed to drugs and to their vapors, which may escape to the surroundings.

20

Hazardous drugs in liquid or powder form are contained within vials, and are typically prepared in a separate room by pharmacists provided with protective clothing, a mouth mask, and a laminar flow safety cabinet. A syringe provided with a cannula, i.e. a hollow needle, is used for transferring the drug from a vial. After being prepared, the hazardous drug is added to a solution contained in a bag which is intended for parenteral administration, such as a saline solution intended for intravenous administration.

25

US 8,196,614 to the applicant of the present application describes closed system liquid transfer devices designed to provide contamination-free transfer of hazardous drugs. Fig. 1 and Fig. 2a to Fig. 2d are schematic cross-sectional views of an apparatus 10 for transferring hazardous drugs without contaminating the surroundings, according to one embodiment of the invention described in this patent. The main features of this apparatus that are relevant to

30

- 2 -

the present invention will be described herein. Additional details can be found in the aforementioned patent.

5 The proximal section of apparatus 10 is a syringe 12, which is adapted to draw or inject a desired volume of a hazardous drug from a fluid transfer component, e.g. a vial 16 or an intravenous (IV) bag in which it is contained and to subsequently transfer the drug to another fluid transfer component. At the distal end of syringe 12 is connected a connector section 14, which is in turn connected to vial 16 by means of vial adaptor 15.

10 Syringe 12 of apparatus 10 is comprised of a cylindrical body 18 having a tubular throat 20 that has a considerably smaller diameter than body 18, an annular rubber gasket or stopper assembly 22 fitted on the proximal end of cylindrical body 18, hollow piston rod 24 which sealingly passes through stopper 22, and proximal piston rod cap 26 by which a user can push and pull piston rod 24 up and down through stopper 22. A piston 28 made of an elastomeric material is securely attached to the distal end of piston rod 24. Cylindrical body 18 is made of a rigid material, e.g. plastic.

15

Piston 28, which sealingly engages the inner wall of, and is displaceable with respect to, cylindrical body 18 defines two chambers of variable volume: a distal liquid chamber 30 between the distal face of piston 28 and connector section 14 and a proximal air chamber 32 between the proximal face of piston 28 and stopper 22.

20

Connector section 14 is connected to the throat 20 of syringe 12 by means of a collar which proximally protrudes from the top of connector section 14 and surrounds throat 20. Note that 25 embodiments of the apparatus do not necessarily have a throat 20. In these embodiments syringe 12 and connector section 14 are formed together as a single element at the time of manufacture, or permanently attached together, e.g. by means of glue or welding, or formed with a coupling means, such as threaded engagement or a Luer connector. Connector section 14 comprises a double membrane seal actuator which is moveable in a reciprocating manner from a normal, first configuration in which the needles are concealed when the double 30 membrane seal actuator is disposed in a first, distal position and a second position in which the needles are exposed when the double membrane seal actuator is proximally displaced. Connector section 14 is adapted to be releasably coupled to another fluid transfer component,

- 3 -

which can be any fluid container with a standard connector such as a drug vial, intravenous bag, or an intravenous line to produce a "fluid transfer assembly", through which a fluid is transferred from one fluid transfer component to another component.

5 Connector section 14 comprises a cylindrical, hollow outer body; a distal shoulder portion, which radially protrudes from the body and terminates at the distal end with an opening through which the proximal end of a fluid transfer component is inserted for coupling; a double membrane seal actuator 34, which is reciprocally displaceable within the interior of the body; and one or more resilient arms 35 serving as locking elements, which are connected at
10 a proximal end thereof to an intermediate portion of a cylindrical actuator casing that contains double membrane seal actuator 34. Two hollow needles that function as air conduit 38 and liquid conduit 40 are fixedly retained in needle holder 36, which protrudes into the interior of connector section 14 from a central portion of the top of connector section 14.

15 Conduits 38 and 40 distally extend from needle holder 36, piercing the upper membrane of actuator 34. The distal ends of conduits 38 and 40 have sharp pointed ends and apertures through which air and liquid can pass into and out of the interiors of the conduits respectively as required during a fluid transfer operation. The proximal end of air conduit 38 extends within the interior of proximal air chamber 32 in syringe 12. In the embodiment shown in Fig. 1, air
20 conduit 38 passes through piston 28 and extends inside of hollow piston rod 24. Air flowing through conduit 38 enters/exits the interior of piston rod 24 and exits/enters to air chamber 32 through an aperture formed at the distal end of piston rod 24 just above piston 28. The proximal end of liquid conduit 40 terminates at the top of or slightly proximally from the top of needle holder 36, so that the liquid conduit will be in fluid communication with the distal liquid
25 chamber 30 via the interior of throat 20 of syringe 12.

Double membrane seal actuator 34 comprises a cylindrical casing that holds a proximal disc shaped membrane 34a having a rectangular cross-section and a two level distal membrane 34b having a T-shaped cross-section with disc shaped proximal portion and a disc shaped distal
30 portion disposed radially inwards with respect to the proximal portion. The distal portion of the distal membrane 34b protrudes distally from actuator 34. Two or more equal length resilient elongated arms 35 are attached to the distal end of the casing of actuator 34. The arms terminate with distal enlarged elements. When actuator 34 is in a first position, the

- 4 -

pointed ends of conduits 38 and 40 are retained between the proximal and distal membranes, isolating the ends of conduits 38 and 40 from the surroundings, thereby preventing contamination of the interior of syringe 12 and leakage of a harmful drug contained within its interior to the surroundings.

5

Vial adaptor 15 is an intermediate connection that is used to connect connector section 14 to a drug vial 16 or any other component having a suitably shaped and dimensioned port. Vial adaptor 15 comprises a disk shaped central piece to which a plurality of circumferential segments, formed with a convex lip on the inner face thereof for facilitating securement to a head portion of a vial 16, are attached at the circumference of the disk and pointing distally away from it and a longitudinal extension projecting proximally from the other side of the disk shaped central piece. Longitudinal extension fits into the opening at the distal end of connector section 14 to allow transfer of the drug as described herein below. The longitudinal extension terminates proximally with a membrane enclosure having a diameter larger than that of the extension. A central opening in the membrane enclosure retains and makes accessible a membrane 15a.

10

15

20

25

Two longitudinal channels, which are internally formed within the longitudinal extension and that extend distally from the membrane in the membrane enclosure, are adapted to receive conduits 38 and 40, respectively. A mechanical guidance mechanism is provided to insure that the conduits 38 and 40 will always enter their designated channel within the longitudinal extension when connector section 14 is mated with vial adaptor 15. The longitudinal extension terminates distally with a spike element 15b which protrudes distally. The spike element is formed with openings in communication with the internally formed channels, respectively and openings at its distal pointed end.

30

Vial 16 has an enlarged circular head portion attached to the main body of the vial with a neck portion. In the center of the head portion is a proximal seal 16a, which is adapted to prevent the outward leakage of a drug contained therein. When the head portion of vial 16 is inserted into the collar portion of vial adaptor 15 and a distal force is applied to vial adaptor 15, the spike element 15b of the connector section 14 pierces the seal 16a of vial 16, to allow the internal channels in the connector section 14 to communicate with the interior of drug vial 16. When this occurs, the circumferential segments at the distal end of the collar portion of the

- 5 -

connector section are securely engaged with the head portion of vial 16. After the seal of vial 16 is pierced it seals around the spike preventing the outward leakage of the drug from the vial. At the same time the tops of the internal channels in vial adaptor 15 are sealed by the membrane 15a at the top of vial adaptor 15, preventing air or drug from entering or exiting the interior of vial 16.

The procedure for assembling drug transfer apparatus 10 is carried out as shown in Figs. 2a to 2d: Step 1 – After the vial 16 and vial adaptor 15 have been joined together, with spike element 15b penetrating proximal seal 16a of the vial, the membrane enclosure of vial adaptor 15 is positioned close to the distal opening of connector section 14, as shown in Fig. 2a. Step 2 - A double membrane engagement procedure is initiated by distally displacing the body of connector section 14 with an axial motion until the membrane enclosure and longitudinal extension of vial adaptor 15 enters the opening at the distal end of the connector section 14, as shown in Fig. 2b. Step 3 – the distal membrane 34b of actuator 34 is caused to contact and be pressed against the stationary membrane 15a of vial adaptor 15 by additional distal displacement of the body of the connector section 14. After the membranes are pressed tightly together the enlarged elements at the ends of the arms of the connector section 14 are squeezed into the more narrow proximal section of connector section 14 thereby holding the membranes pressed together and engaged around the longitudinal extension and under the membrane enclosure of vial adaptor 15, as shown in Fig. 2c, thereby preventing disengagement of the double membrane seal actuator 34 from vial adaptor 15. Step 4 - Additional distal displacement of the body of connector section 14, as shown in Fig. 2d, causes actuator 34 to move proximally relative to the body of the connector section 15 until the tips of conduits 38 and 40 pierce the distal membrane of actuator 34 and the membrane at the top of vial adaptor 15 and are in fluid communication with the interior of vial 16. These four steps are performed by one continuous axial motion as connector section 14 is distally displaced relative to the vial adaptor 15, and they will be reversed to separate connector section 14 from vial adaptor 15 by pulling connector section 14 and vial adaptor 15 apart. It is important to emphasize that the procedure is described herein as comprising four separate steps, however this is for ease in describing the procedure only. It is to be realized that in actual practice the secured double membrane engagement (and disengagement) procedure using the present invention is carried out using a single smooth axial movement.

- 6 -

After drug transfer assembly 10 shown in Fig. 1 is assembled as described hereinabove with reference to Figs. 2a to 2d, the piston rod 24 can be moved to withdraw liquid from vial 16 or to inject liquid from the syringe into the vial. The transfer of liquid between the distal liquid chamber 30 in the syringe 12 and liquid 48 in the vial 16 and transfer of air between the proximal air chamber 32 in the syringe 12 and air 46 in the vial 16 takes place by an internal pressure equalization process in which the same volumes of air and liquid are exchanged by moving through separate channels symbolically shown in Fig. 1 by paths 42 and 44 respectively. This is a closed system which eliminates the possibility of exchange of air or liquid drops or vapor between the interior of assembly 10 and the surroundings.

5

In the years since the apparatus 10 described above was invented applicant has made numerous improvements to the components of the apparatus while retaining the basic features and mode of assembly and disassembly as described above.

10

15

With respect to connector section 14, several improvements have been made leading up to the present invention. In co-pending Israeli patent application no. IL239366, is described a solution to a problem that sometimes occurred when using the apparatus.

20

Fig. 3 is an enlarged view of the prior art connector section 14 of the drug transfer apparatus shown in Fig. 1. As described herein above, when syringe 12 and attached connector section 14 are not connected to another component, the tips of the hollow needles that form the air conduit 38 and liquid conduit 40 reside between the proximal and distal membranes of double membrane seal actuator 34. If the piston rod of the syringe is pushed in a distal direction, then liquid that is in the liquid chamber below the piston of the syringe will be forced out of the opening at the distal end of liquid conduit 40 and can be pushed into the opening at the distal end of air conduit 38 and forced into the air chamber above the piston syringe. If the piston rod is pulled distally, then the opposite flow of air and liquid takes place and air can be forced from the air chamber into the liquid chamber of the syringe.

25

30

A solution provided in WO2014/122643 to the applicant of the present application is shown in Fig. 4 and Fig. 5. That solution is a sleeve 64 into which the tip of the needle comprising the air conduit 38 is placed. Sleeve 64 is made of an elastomeric material and is placed inside the double membrane seal actuator 34.

- 7 -

As shown in Fig. 4, when liquid chamber 30 contains liquid and the piston 28 of the syringe is pushed distally the fluid that is forced out of the tip of the liquid conduit 40 creates pressure inside actuator 34 that causes sleeve 64 to be pressed around the tip of the air conduit 38, thus blocking the passage of liquid into the air needle. The harder one pushes on the piston rod - the more effective is the blocking action of the sleeve. Additionally at same time, suction is created in the air chamber of the syringe on the proximal side of piston 28 and in the air conduit 38 causing the sleeve 64 to be pressed even more tightly against the tip of the air conduit, thereby increasing the blocking action.

10

As shown in Fig. 5, when the piston 28 of the syringe is pulled proximally the liquid conduit 40 is in suction mode, creating vacuum in the interior of actuator 34. At same time the air conduit 38 injects air into the interior of actuator 34 thus air pushing sleeve 64 away from the tip of conduit 38 and expanding its diameter thereby allowing air to flow out of the air conduit 38 into the liquid conduit 40. From Figs. 4 and 5 it can be seen that a one-way valve operation is taking place, i.e. liquid can't pass to the air channel or air chamber in the syringe, but air can pass to liquid chamber. The ability to draw air into the liquid chamber is purposely desired since it is required for certain manipulations during drug preparation.

15

20

Fig. 6 and Fig. 7 show another improvement first described in WO2014/122643 to the prior art double membrane seal actuator shown in Fig. 3. This aspect of the present invention simplifies manufacturing of the double membrane actuator. According to this embodiment, the length of needle holder 36 that fixedly supports the needles that form air conduit 38 and liquid conduit 40 is lengthened and its shape is made cylindrical with a circular cross section. Additionally the proximal membrane 34a is removed and is replaced with an O-ring 66 that fits tightly over the exterior of needle holder 36.

25

30

Fig. 6 shows the connector section 14 when it is not connected to a vial adaptor 15. In this configuration the O-ring 66 is at the distal end of the needle holder 36 and the tips of the air and liquid conduits are above the lower membrane 34b of the actuator. As the connector section and vial adaptor are pushed together, the actuator is pushed in the proximal section with the O-ring 66 sliding up the needle holder 36 until it reaches the proximal end of the

- 8 -

connector section and the needles have penetrated the lower membrane 34b of the actuator and the membrane at the top of the vial adaptor as shown in Fig. 7.

5 PCT patent applications WO2014/181320 and WO 2016/042544, both to the applicant of the present application, describe needle valves that can be incorporated into the membrane actuator of the connector section 14. The needle valves prevent the possibility of liquid travel through the air conduit from the distal liquid chamber 30 or vial 16 to the proximal air chamber when the connector section 14 is not connected to a vial or other fluid transfer component. The needle valves also simplify the construction of the membrane actuator making it possible to use a single membrane actuator instead of a double membrane actuator as in the connector section shown in Figs. 1-4.

15 Fig. 8 is a schematic cross-sectional view of a connector section 14. In this embodiment the prior art double membrane seal actuator 34 in the connector section 14 that comprises two membranes 34a and 34b and arms 35 (see Fig. 3) is replaced with an actuator 52 comprising an embodiment of a needle valve 54, only one membrane 34b, and arms 35. It is important to note that in this embodiment it is not necessary to seal the proximal end of actuator 52 in any fashion because the task of enclosing the ports 56 at the distal ends of the air and liquid conduits when the connector is not connected to another fluid transfer component, which in 20 the prior art was accomplished by membranes 34a and 34b, is accomplished in the single membrane actuator 52 by the needle valve arrangement and membrane 34b alone and in some embodiments by the needle valve itself.

25 Referring to Fig. 8, actuator 52 comprises a valve seat 54 comprising two bores through which the needles of air conduit 38 and liquid conduit 40 pass. It is noted that embodiments of actuator 52 are also described that contain one bore for use in liquid transfer apparatus that comprises only one needle 38.

30 When the syringe and attached connector are not connected to any other component of the apparatus, as shown in Fig. 8, the actuator 52 is at the distal end of connector section 14 and the tips of needles 38 and 40 are located in the bores in the seat 54 of the needle valve. In this configuration the ports 56 in the sides of the needles are blocked by the interior walls of the

bores completely isolating the needles from each other, thereby preventing air from entering the liquid chamber of the syringe or liquid from entering the air chamber.

5 When the syringe and attached connector are connected to another component of the apparatus, such as a vial adaptor, the actuator 52 is pushed towards the proximal end of connector section 14. Since needles 38 and 40 are fixed to the connector 14 by the needle holder 36, as actuator 52 moves proximally, the tips of needles 38 and 40 and ports 56 are pushed out through the distal end of the bores in the seat 54 of the needle valve, through membrane 34b, and through the membrane at the top of the vial adaptor, thereby
10 establishing open fluid paths in the respective channels.

The first goal for the connector is to completely eliminate the possibility of migration of liquid to the air chamber. This can happen, for example, if pressure differentials between the air and liquid chambers exist after disconnection from a vial adaptor and if the pressure in the air
15 chamber is lower than that in the liquid chamber, resulting in undesired migration of liquid to the air chamber. The second goal is to prevent leaks or damage to the connector during accidental pushing of the syringe plunger. One of the frequently performed drug transfer operations in hospital settings is known as IV push or bolus injection. Typically the required amount of drug is prepared in a syringe in the hospital pharmacy and delivered to the ward
20 where a qualified nurse administers the drug to the patient through a previously established IV line. A common problem associated with the procedure is that during the trip from pharmacy to ward or at bedside the piston of the syringe is sometimes unintentionally pushed expelling some of the drug from the barrel of the syringe or the piston is unintentionally pulled. High pressures of up to 20 atmospheres can be easily generated by manually pushing the plunger of
25 small volume syringes (1-5ml). Such pressure may cause the connector to disintegrate or the membranes to be detached. The connector shown in Fig. 8 is proposed as a solution to the problems associated with such unintended transfer of fluids between the air and liquid chambers and to resist high pressures created during accidental pushing the of plunger. As can be seen in the figure, when the connector 14 is not connected to an adapter 15, the ports 56 at
30 the distal end of needles 38 and 40 that allow exchange of fluid between the surroundings and the hollow interiors of the needles are blocked by the interior of the bore in seat 54 of the needle valve. If the syringe is filled or partially filled with liquid, then if a force is exerted to try to push the plunger forward and to force liquid to flow through the needle, no liquid can exit

- 10 -

the needle through port 56. Conversely, if a force is exerted to pull the plunger backwards no air can enter through port 56 and flow through the interior of the needle into the barrel of the syringe.

5 Israeli Patent Application No. 237788 to the applicant of the present application describes embodiments of septum holders for use in connector sections that are used to connect syringes to other elements of liquid transfer apparatuses. All of the embodiments of the septum holders described in that patent application comprise a septum holder body, at least one resilient elongated arm that terminates with a distal enlarged element attached to the
10 sides of the body, and a septum. The septum holders of IL237788 are characterized in that they comprise at least one bore that functions as the seat of a needle valve. The bore is created in the septum or in an insert fixed in either the body of the septum holder or in the septum. The septum holders described in IL237788 are also characterized in that the septum is attached to the bottom of the body of the septum holder projecting downwards parallel to the
15 at least one elongated arm.

Fig. 9a, Fig. 9b, and Fig. 9c are respectively front, cross-sectional, and exploded views of an embodiment of a septum holder 58 described in IL237788. Septum holder 58 is comprised of a disk shaped annular body 60. Two equal length resilient elongated arms 62 are attached to the
20 sides of body 60. The arms terminate with distal enlarged elements 63. The bottom part of body 60 is comprised of a cylindrical section that projects downward between arms 62. A cavity 166 is created in the bottom part of body 60 into which is fitted an insert 68 comprising two bores 70 that form the seat of a needle valve. In alternative embodiments insert 68 can have different shapes than that shown and in one embodiment can be comprised of two
25 separate pieces of tubing that are inserted into parallel bores of appropriate diameters created in the bottom part of body 60.

Septum 72 is made of a single piece of cylindrically shaped resilient material. The upper part of septum 72 has a hollow interior forming a cylindrical recess 74 having an inner diameter no
30 larger than that of the outer diameter of the cylindrical section at the bottom of body 60. After insert 68 is fitted into cavity 166, septum 72 is pushed over the bottom part of body 60 until the solid part of septum 72 below recess 74 butts against the bottom of bores 70 in insert 68 thereby isolating the bottoms of the interior of the bores from the external environment.

- 11 -

Septum 72 is fixedly held on the body 60 of septum holder 58 by any means known in the art. For example, the resilient material of the septum may be strong enough to grip the sides of the cylindrical section at the bottom of body 60 to hold the septum in place; or, as shown in Fig. 9c, in embodiments of the septum holder the cylindrical section at the bottom of body 60 may have threads or teeth 76, or an equivalent structure created on its outer surface and septum 72 may have similar structure on the inner diameter of its hollow interior (not shown in Fig. 9c) so that the two structures interlock when septum 72 is pushed over the bottom part of body 60. In other embodiments other methods, such as gluing, ultrasonic forming, or laser or ultrasound welding are used.

10

Fig. 9d schematically shows the septum holder of Fig. 9a, Fig. 9b, and Fig. 9c in a connector section 92 of a closed system liquid transfer apparatus. The connector section 92 is essentially the same as that in the prior art apparatus described herein above. Cylindrical outer housing 78 of the connector section is attached to syringe 12. Two hollow needles, which function respectively as an air conduit 40 and as a liquid conduit 38, are fixedly attached to the upper end of outer housing 78 of the connector section. At the lower end of the needles, adjacent to the pointed distal tips, are ports 56 that allow fluid communication between the exterior and the hollow interiors of the needles. External ridges 88 near the bottom of cylindrical outer housing 78 serve as finger grips for use when attaching the connector section and syringe to other elements of the drug transfer system. Ridges 88 are not essential and can be eliminated or replaced with other means, for example a roughened surface area, to accomplish the same purpose.

15

20

A septum holder 58 is located inside of cylindrical outer housing 78 of the connector section. As shown, the distal ends of needles 82,84 are inserted into bores 70 in insert 68 (see Fig. 9c). If the insert 68 is made of a flexible material, e.g. silicon, the diameters of bores 70 are smaller than the outer diameter of the shafts of the needles and therefore the resilient material of which the insert is manufactured pushes radially against the shaft of the needle sealing the ports 86. When not connected to another element of a liquid transfer system the distal enlarged elements 63 of arms 62 are engaged in the shoulder portion 90 at the distal end of outer housing 78. As shown in Fig. 9d, in this position the tips of the needles are isolated from the outside by septum 72 at the bottom and the walls of the bores 70 pressing radially on the shafts of the needles prevent fluids from entering or exiting the interior of the needles.

25

30

- 12 -

Connection of the connector section to a fluid transfer component, e.g. a vial adaptor, a spike adaptor for connection to an IV bag, or a connector for connection to an IV line, is accomplished in the same manner as in the prior art described herein above. When the
5 septum of the fluid transfer component is pushed against septum 72, septum holder 58 begins to move upwards inside outer housing 78 and the tips of the needles begin to exit bores 70 and penetrate the solid material of septum 72. The tips of the needles pass through septum 72 and the septum of the fluid transfer component as septum holder 58 continues to be pushed upwards, thereby establishing air and liquid channels between the element of the liquid
10 transfer system attached to the fluid transfer component and the proximal air chamber and distal liquid chamber in the syringe.

Fig. 10a and Fig. 10b schematically show embodiments of a septum holder 110 described in IL 239366. The septum holders shown in these figures are identical with the exception of the
15 number of resilient arms 118 – two arms in Fig. 10a and four arms in Fig. 10b.

Septum holder 110 is structurally the same as that shown in Fig. 9a to Fig. 9d with the exception that the arms 118 are attached to the sides of the body in a way that allows them to move in a different manner. Septum holder 110 is comprised of a cylindrically shaped annular
20 body 112. Two (or four) parallel equal length, downward extending, resilient, elongated arms 118 are attached to the sides of body 112. The arms terminate with distal enlarged elements 120. The distal enlarged elements are shaped roughly like a human foot with a rounded outwardly facing rear side and a pointed inwardly facing front side. The bottom section of body 112 is comprised of a cylindrical section that projects downward parallel to arms 118. A
25 cavity is created in the bottom part of body 112 into which is fitted an insert comprising one or two bores that form the seats of needle valves. Ribs 114 or equivalent structure may be present in the interior of body 112 to provide mechanical strength and support to the insert.

Septum 116 is made of a single piece of cylindrically shaped resilient material. The upper part
30 of septum 116 has a hollow interior forming a cylindrical recess having an inner diameter no larger than that of the outer diameter of the cylindrical section at the bottom of body 112. After the insert is fitted into the cavity in body 112, septum 116 is fitted over the cylindrical bottom section of body 112 (much as a knitted cap is pulled over a head) until the solid part of

- 13 -

septum 116 butts against the bottom of the bores in the insert; thereby isolating the bottoms of the interior of the bores from the external environment. Septum 116 is fixedly held facing downward on the body 112 of septum holder 110 by any means known in the art, such as described herein above.

5

Fig. 11a and Fig. 11b schematically show the difference between the attachment of the arms to the septum holder of Fig. 9a to Fig. 9d and the septum holder of Fig. 10a and Fig. 10b. In Fig. 9a a pair of arms is located facing each other on opposite sides of the septum holder. The enlarged elements at the distal end of the arms move back and forth along an extension of a diameter of the circular cross-section of the body of the septum holder in the direction shown by the double headed arrows in Fig. 11a. In the septum holder of Fig. 10a, a pair of arms is located one alongside the other on the same side of the septum holder. The enlarged elements at the distal end of the arms move back and forth along extensions of parallel chords of the circular cross-section of the body of the septum holder in the directions shown by the double headed arrows in Fig. 11b.

10
15

It is noted that other septum holders, for example the other embodiments of septum holders described in the above referenced IL 23788, can be adapted *mutatis mutandis*, by locating the arms as described with reference to Figs. 10a and 10b as can other septum housings such as those shown in Fig. 3, Fig. 6 and Fig. 8. It is also noted that septum holders similar to those shown in Fig. 10a can be manufactured having only one arm or more than four arms. A very stable configuration can be obtained by the use of three arms, although this would be a more complex embodiment to manufacture.

20

The changes made to the attachment of the arms to the sides of the septum holder that have been described above with respect to Figs. 10a to 11b have necessitated a redesign of connector sections that comprise these septum holders.

25

Fig. 12 schematically shows the exterior of connector section 104, which is described in detail in co-pending application IL 239366. The internal elements of connector section 104, i.e. the septum holder and either one or two needles, are surrounded by an outer housing 140. Outer housing 140 has the shape of a right prism with a generally square cross-section and an open distal (bottom) end into which the proximal end of an adapter component, e.g. a vial adapter,

30

- 14 -

can be inserted. The proximal (upper) part 142 of outer housing 140 can be constructed in many ways in order to connect to a component, e.g. a syringe or an IV line, of a fluid transfer apparatus.

5 It is a purpose of the present invention to provide an improved septum holder that will overcome a problem in manufacture and sterilization of a product that comprises the septum holders of the prior art.

Further purposes and advantages of this invention will appear as the description proceeds.

10

Summary of the Invention

In a first aspect the invention is a septum holder. The septum holder comprises: (a) a body having an upper body part and a lower body part, the lower body part comprising a bored out interior; (b) an insert comprising at least one bore that forms the seat of a needle valve, the
15 insert fitted loosely into the interior of the lower body part; and (c) a septum comprising an upper part attached to an exterior surface of the lower body part of the septum holder and a lower part of the septum that extends downward beyond the lower edge of the lower body part of the septum holder.

20 In the septum holder of the invention the insert can freely move up and down in the interior of the lower body part and the septum can freely move up and down on the exterior surface of the lower body part.

In embodiments of the septum holder of the invention the body of the septum holder
25 comprises a disk shaped annular upper body part with at least one resilient elongated arm terminating with a distal enlarged element attached to the side of the upper body part.

In embodiments of the septum holder of the invention the body comprises a lower body part comprised of a cylindrically shaped annular section that projects downward from the upper
30 part parallel to the at least one arm. In some of these embodiments the lower body part comprises an outwardly projecting edge at its lower end.

- 15 -

In embodiments of the septum holder of the invention the septum comprises an upper part having a hollow interior in the form of a cylindrical recess having an inner diameter larger than that of the outer diameter of the cylindrically shaped annular section. In some of these embodiments the upper rim of the septum is structured as an inwardly projecting edge
5 configured such that, when pushed over the outwardly projecting edge at the lower end of the cylindrically shaped annular section of the lower body part, the upper rim of the septum interacts with the outwardly projecting edge to hold the septum on exterior surface of the septum holder.

10 In a second aspect the invention is a connector section for a liquid transfer apparatus. The connector section comprises: a cylindrical outer body having a proximal end adapted to be attached to syringe and an open distal end comprising a shoulder portion; at least one hollow needle fixedly attached to the proximal end of the body of the connector section, the needle having at least one port at its lower end adjacent to its pointed distal tip that allows fluid
15 communication between the exterior and the hollow interior of the needle; and a septum holder located inside of the cylindrical body of the connector section.

The septum holder comprises: (a) a body having an upper body part and a lower body part, the lower body part comprising a bored out interior; (b) an insert comprising at least one bore that
20 forms the seat of a needle valve, the insert fitted loosely into the interior of the lower body part; and (c) a septum comprising an upper part attached to an exterior surface of the lower body part of the septum holder and a lower part of the septum that extends downward beyond the lower edge of the lower body part of the septum holder.

25 In the septum holder of the connector section the insert can freely move up and down in the interior of the lower body part and the septum can freely move up and down on the exterior surface of the lower body part.

In embodiments of the connector section of the invention the body of the septum holder
30 comprises a disk shaped annular upper body part with at least one resilient elongated arm terminating with a distal enlarged element attached to the side of the upper body part.

- 16 -

In embodiments of the connector section of the invention the body of the septum holder comprises a lower body part comprised of a cylindrically shaped annular section that projects downward from the upper part parallel to the at least one arm. In some of these embodiments the lower body part of the septum holder comprises an outwardly projecting edge at its lower
5 end.

In embodiments of the connector section of the invention the septum of the septum holder comprises an upper part having a hollow interior in the form of a cylindrical recess having an inner diameter larger than that of the outer diameter of the cylindrically shaped annular
10 section. In some of these embodiments the upper rim of the septum of the septum holder is structured as an inwardly projecting edge configured such that, when pushed over the outwardly projecting edge at the lower end of the cylindrically shaped annular section of the lower body part, the upper rim of the septum interacts with the outwardly projecting edge to hold the septum on exterior surface of the septum holder.
15

In embodiments of the connector section of the invention, when the connector section is not connected to another element of the liquid transfer system, the distal enlarged element of the at least one arm of the septum holder is engaged in the shoulder portion at the distal end of body of the syringe connector and the distal end of the at least one needle is inserted into the
20 at least one bore in the insert of the septum holder.

All the above and other characteristics and advantages of the invention will be further understood through the following illustrative and non-limitative description of embodiments thereof, with reference to the appended drawings.
25

Brief Description of the Drawings

- Fig. 1 is a schematic cross-sectional view of a prior art apparatus for transferring hazardous drugs;
- Fig. 2a to Fig. 2d are cross-sectional views that schematically show the four-step
30 connection sequence between the connector section and the vial adaptor of the apparatus of Fig. 1;
- Fig. 3 is an enlarged view of the prior art double membrane seal actuator shown in Fig. 1;

- 17 -

- Fig. 4 and Fig. 5 show an improvement in the double membrane seal actuator of Fig. 3 according to the present invention that prevents the possibility of liquid entering the air channel if the piston rod of the syringe is accidentally pushed or pulled;
- Fig. 6 and Fig. 7 show an improvement in the double membrane seal actuator of Fig. 3 according to the present invention that simplifies manufacturing of the actuator;
- Fig. 8 is a schematic cross-sectional view of a connector section;
- Fig. 9a, Fig. 9b, and Fig. 9c are respectively front, cross-sectional, and exploded views of a first embodiment of a prior art septum holder;
- Fig. 9d schematically shows the holder of Fig. 9a in a connector section of a closed system drug transfer apparatus;
- Fig. 10a and Fig. 10b schematically show embodiments of a septum holder;
- Fig. 11a and Fig. 11b schematically show the difference between the attachment of the arms to the septum holder of the prior art and the septum holder of Fig. 10a;
- Fig. 12 schematically shows the exterior of a connector component configured to comprise a septum holder of Fig. 10a; and
- Fig. 13 and Fig. 14 are cross-sectional views that show the moveable septum at two different locations on the septum holder.

Detailed Description of Embodiments of the Invention

One of the products manufactured by the applicant of this patent application is a unit for closed transfer of liquids comprised of a syringe connected to a connector section. These units, after manufacture and assembly, are packed in blister packs and sent to be sterilized before shipment to customers. Sterilization is carried out by placing the blister packs in a closed container or room that is then filled with ethylene chloride. The blister pack is comprised of a thermoplastic front, which is impervious to gas and bacteria, sealed to a paper back, which is impervious to bacteria but allows gas molecules to pass through it. The ethylene oxide gas enters the blister pack through the paper back and enters the inside of the syringe and connector section through the needle openings and sterilizes the syringe and connector section. After a period of time a vacuum is created in the container to draw the sterilizing gas out of the blister packs and then air is introduced into the blister packs, which are then a sterile product ready for use.

- 18 -

If the connector section comprises a septum holder such as shown in Fig. 9d, the ports 56 at the tips of the air and liquid channels are blocked by the sides of the bores in the insert 68 when the connector section is not connected at its distal end to another element such as a vial adapter. This is the situation when the product described above is placed in the blister pack.

5 Because ports 56 are blocked the sterilizing gas cannot enter the body of the syringe which can't be sterilized, which of course is unacceptable. The current solution to this problem is to seal the syringe and attached connector in the blister pack with the septum holder 58 pulled downwards from the location shown in Fig. 9d until the distal enlarged elements 63 of arms 62 are outside of the outer housing 78 of the connector section. In this configuration the ports 56

10 have been removed from the bores in the insert 68 allowing the sterilizing gas to enter the interior of the syringe and to be replaced with sterile air. After the sterilization process is completed the septum holder is pushed back to its correct location with the distal enlarged elements 63 engaged in the shoulder portion 90 at the distal end of outer housing 78, the tips of the needles in the bores 70 in insert 68, and the top of septum 72 sealing the bottom of the

15 bores 70 as shown in Fig. 9b and Fig. 9d.

After sterilization the boxed product is delivered from the sterilization site to the manufacturing site and the blister packs need to be taken out from the boxes in order to move the septum holder to its correct position and then pack the blisters back into the boxes.

20 Moving the septum holder to its correct position inside the connector section while both are sealed inside the blister pack is a difficult and very time-consuming task that can only be done manually. All of this extra handling adds a great deal of expense to the manufacturing process.

The same problem exists for all embodiments of the prior art connectors shown in the

25 background section of this application.

The present invention is a septum holder that was invented to overcome this problem. It can be used, for example in connector section 92 shown in Fig. 9b or connector section 104 shown in Fig. 12. The septum holder of this invention comprises a septum that can be moved up and

30 down on the septum holder to alternately block or unblock the ports at the tips of the needles.

Fig. 13 and Fig. 14 are cross-sectional views that show the moveable septum at two different locations on the septum holder.

- 19 -

Fig. 13 schematically shows the septum holder 158 of the invention in a connector section of a closed system liquid transfer apparatus. The connector section is, with the exception of the septum holder, the same as that in the prior art connector section 92 shown in Fig. 9b or connector section 104 shown in Fig. 12 described herein above. Outer housing 78 or 140 of the connector section is configured at its upper end to be connected to another component of the liquid transfer system such as a syringe or an IV line. Two hollow needles, which function as an air conduit 38 and as a liquid conduit 40 respectively, are fixedly attached to the upper end of outer housing 78 or 140 of the connector section. At the lower end of the needles, adjacent to the pointed distal tips, are ports 56 that allow fluid communication between the exterior and the hollow interiors of the needles. External ridges 88 near the bottom of outer housing 78/140 serve as finger grips for use when attaching the connector section and syringe to other elements of the drug transfer system. Ridges 88 are not essential and can be eliminated or replaced with other means, for example a roughened surface area, to accomplish the same purpose.

Septum holder 158 is comprised of a body 160 comprising a disk shaped annular upper part. Two equal length resilient elongated arms 162 are attached at the sides of the upper part of body 160. The arms terminate with distal enlarged elements 163. The bottom part of body 160 is comprised of a cylindrically shaped annular section 202 that projects downward from the upper part between arms 162. At the lower end of annular section 202 is an outwardly projecting edge 204. An insert 168 comprising two bores 170 that form the seat of a needle valve is fitted loosely into the center of annular section 202 so that the insert is free to move up and down in annular section 202.

Septum 172 is made of a single piece of cylindrically shaped resilient material. The upper part of septum 172 has a hollow interior forming a cylindrical recess 206 having an inner diameter larger than that of the outer diameter of annular section 202 at the bottom of body 160. The upper rim of the septum 172 is structured as an inwardly projecting edge 208 that, when pushed over outwardly projecting edge 204 at the bottom of annular section 202, interacts with edge 204 to hold septum 172 on septum holder 158. Because of the length of the wall of annular section 202, septum 172 can move up or down on the septum holder between the two limiting positions shown in Fig. 13 and Fig. 14.

- 20 -

After the prior art connector sections described herein as well as those shown in Figs. 13 and 14 is manufactured a quality control check is carried out by inserting the proximal end of a simulated adapter, such as that used to connect the connector section to a drug vial, intravenous bag, or an intravenous line, into the opening at the distal end of the cylindrical, hollow outer body of the connector section. As in the procedure for assembling the drug transfer apparatus described herein above the simulated adapter is pushed against the septum 172 in the septum holder until the simulated adapter and the septum holder become attached to each other. Continue pushing the simulated adapter and the attached septum holder upwards in the connector section until the tips of the needles 38,40 exit bores 170 and pass through septum 172. The simulated adapter and attached septum holder are then pulled downwards until the tips of the needles are pulled back through septum 172 and reenter bores 170 blocking ports 56. The elastomeric material of which the septum is made seals the hole as the needle is pulled back through it. Further pulling of the simulated adapter downwards separates it from the septum holder. This process is repeated at least one more time before the quality of the connector section is verified.

The quality control check described above provides an additional benefit. The act of puncturing the septum greatly reduces the amount of force that the end user is required to exert to assemble the drug transfer apparatus in the pharmacy, clinic, or hospital ward. It has been found that a considerable amount of force is needed to puncture the septum the first time. The second time that the needle passes through the septum requires significantly less force than the first time and the third and subsequent times that the needle passes through the septum requires significantly less force than the second time.

The syringe-connector section unit is sealed in the blister pack with septum 172 pulled down as shown in Fig. 13. With the septum in this configuration the insert 168 is also lowered removing ports 56 at the distal end of the needles from bores 170 in insert 168 and the sterilization procedure can be carried out as required.

After the sterilization procedure is completed the product can be delivered to a customer as is and without the need to be sent to the manufacturing site for moving the septum holder to re-seal the ports 56. Re-sealing of the ports 56 is accomplished automatically when septum 172

- 21 -

and insert 168 are pushed upward from the location shown in Fig. 13 to the location shown in Fig. 14 during first connection of the connector section to a fluid transfer component, e.g. a vial adaptor, a spike adaptor for connection to an IV bag, or a connector for connection to an IV line. After the first connection the ports 56 remain in sealed position in all following
5 connection procedures.

The connection is accomplished in the same manner as in the prior art described herein above. When the septum of the fluid transfer component is pushed against the bottom of septum 172, septum 172 and insert 168 will move upwards until insert 168 is fully inserted into the
10 annular section 202. As the connector section and fluid transfer component continue to be pushed together, septum holder 158 begins to move upwards inside outer housing 78/140 and the tips of the needles begin to exit the bottoms of bores 170 and penetrate the solid material of septum 172. The tips of the needles pass through septum 172 and the septum at the top of the fluid transfer component as septum holder 158 continues to be pushed upwards, thereby
15 establishing air and liquid channels between the element of the liquid transfer system attached to the fluid transfer component and the proximal air chamber and distal liquid chamber in the syringe.

Although embodiments of the invention have been described by way of illustration, it will be
20 understood that the invention may be carried out with many variations, modifications, and adaptations, without exceeding the scope of the claims.

Claims

1. A septum holder comprising: a body having an upper body part and a lower body part, the lower body part comprising a bored out interior; an insert comprising at least one bore that forms the seat of a needle valve, the insert fitted loosely into the bored out interior of the lower body part; and, a septum comprising an upper part attached to an exterior surface of the lower body part of the septum holder and a lower part of the septum that extends downward beyond the lower edge of the lower body part of the septum holder; wherein the insert can freely move up and down in the interior of the lower body part and the septum can freely move up and down on the exterior surface of the lower body part.
2. The septum holder according to claim 1, wherein the upper body part comprises an annular shape and further comprises at least one resilient elongated arm terminating with a distal enlarged element attached to the side of the upper body part.
3. A septum holder according to claim 2, wherein the body comprises a lower body part comprised of a cylindrically shaped annular section that projects downward from the upper part parallel to the at least one arm.
4. A septum holder according to claim 3, wherein the lower body part comprises an outwardly projecting edge at its lower end.
5. A septum holder according to claim 3, wherein the septum comprises an upper part having a hollow interior in the form of a cylindrical recess having an inner diameter larger than that of the outer diameter of the cylindrically shaped annular section.
6. A septum holder according to claim 5, wherein the upper rim of the septum is structured as an inwardly projecting edge configured such that, when pushed over the outwardly projecting edge at the lower end of the cylindrically shaped annular section of the lower body part, the upper rim of the septum interacts with the outwardly projecting edge to hold the septum on exterior surface of the septum holder.
7. A connector section for a liquid transfer apparatus, the connector section comprising: a cylindrical outer body having a proximal end adapted to be attached to syringe and an open distal end comprising a shoulder portion; at least one hollow needle fixedly attached

to the proximal end of the body of the connector section, the needle having at least one port at its lower end adjacent to its pointed distal tip that allows fluid communication between the exterior and the hollow interior of the needle; and a septum holder located inside of the cylindrical body of the connector section, the septum holder comprising: a body having an upper body part and a lower body part, the lower body part comprising a bored out interior; an insert comprising at least one bore that forms the seat of a needle valve, the insert fitted loosely into the interior of the lower body part; and, a septum comprising an upper part attached to an exterior surface of the lower body part of the septum holder and a lower part of the septum that extends downward beyond the lower edge of the lower body part of the septum holder;
wherein the insert can freely move up and down in the interior of the lower body part and the septum can freely move up and down on the exterior surface of the lower body part.

8. The connector section of claim 7, wherein the upper body part of the septum holder comprises an annular shape and further comprises at least one resilient elongated arm terminating with a distal enlarged element attached to the side of the upper body part.
9. The connector section of claim 8, wherein the body of the septum holder comprises a lower body part comprised of a cylindrically shaped annular section that projects downward from the upper part parallel to the at least one arm.
10. The connector section of claim 9, wherein the lower body part of the septum holder comprises an outwardly projecting edge at its lower end.
11. The connector section of claim 9, wherein the septum of the septum holder comprises an upper part having a hollow interior in the form of a cylindrical recess having an inner diameter larger than that of the outer diameter of the cylindrically shaped annular section.
12. The connector section of claim 11, wherein the upper rim of the septum of the septum holder is structured as an inwardly projecting edge configured such that, when pushed over the outwardly projecting edge at the lower end of the cylindrically shaped annular section of the lower body part, the upper rim of the septum interacts with the outwardly projecting edge to hold the septum on exterior surface of the septum holder.

13. The connector section of claim 7 wherein, when the connector section is not connected to another element of the liquid transfer system, the distal enlarged element of the at least one arm of the septum holder is engaged in the shoulder portion at the distal end of body of the syringe connector and the distal end of the at least one needle is inserted into the at least one bore in the insert of the septum holder.

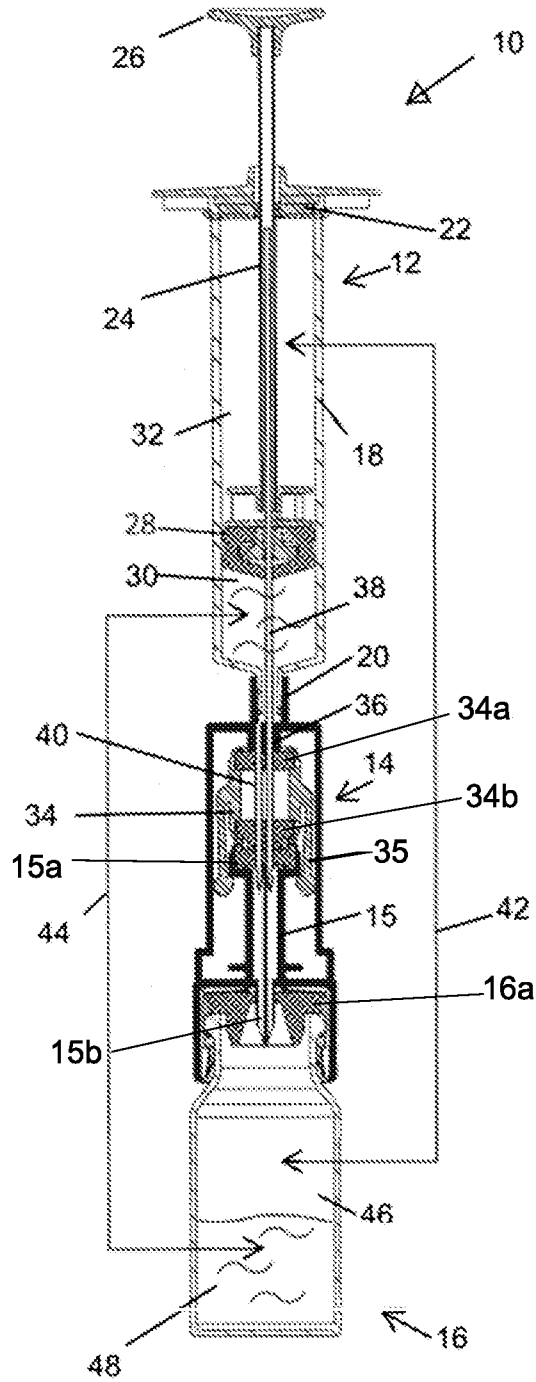
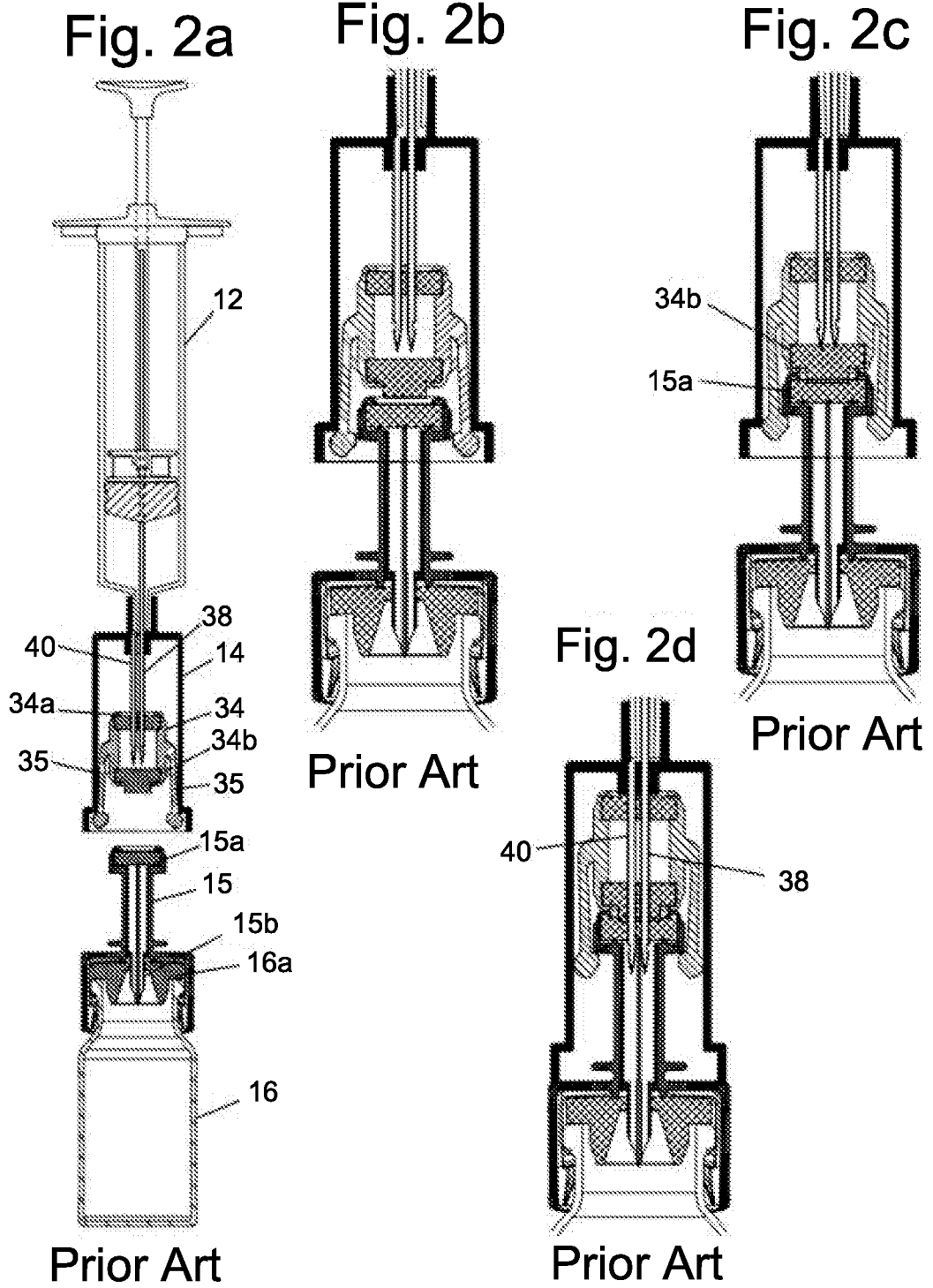


Fig. 1
Prior Art



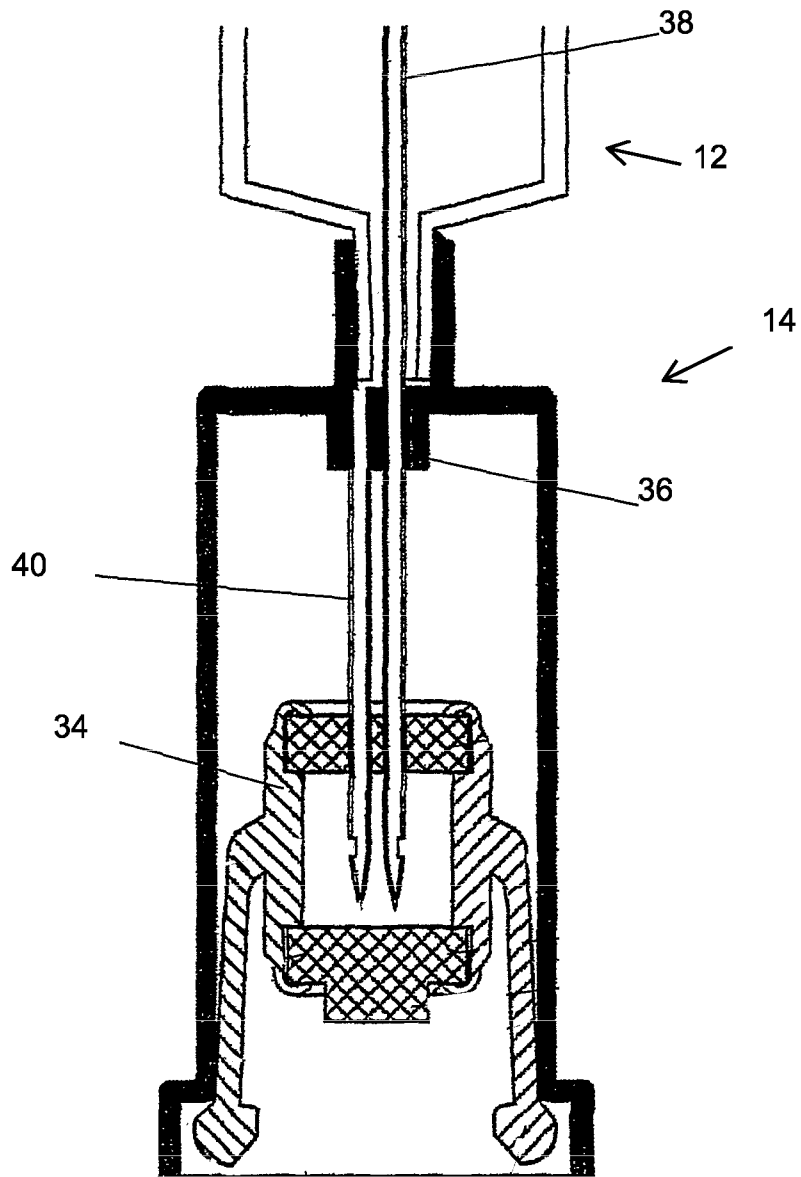


Fig. 3
Prior Art

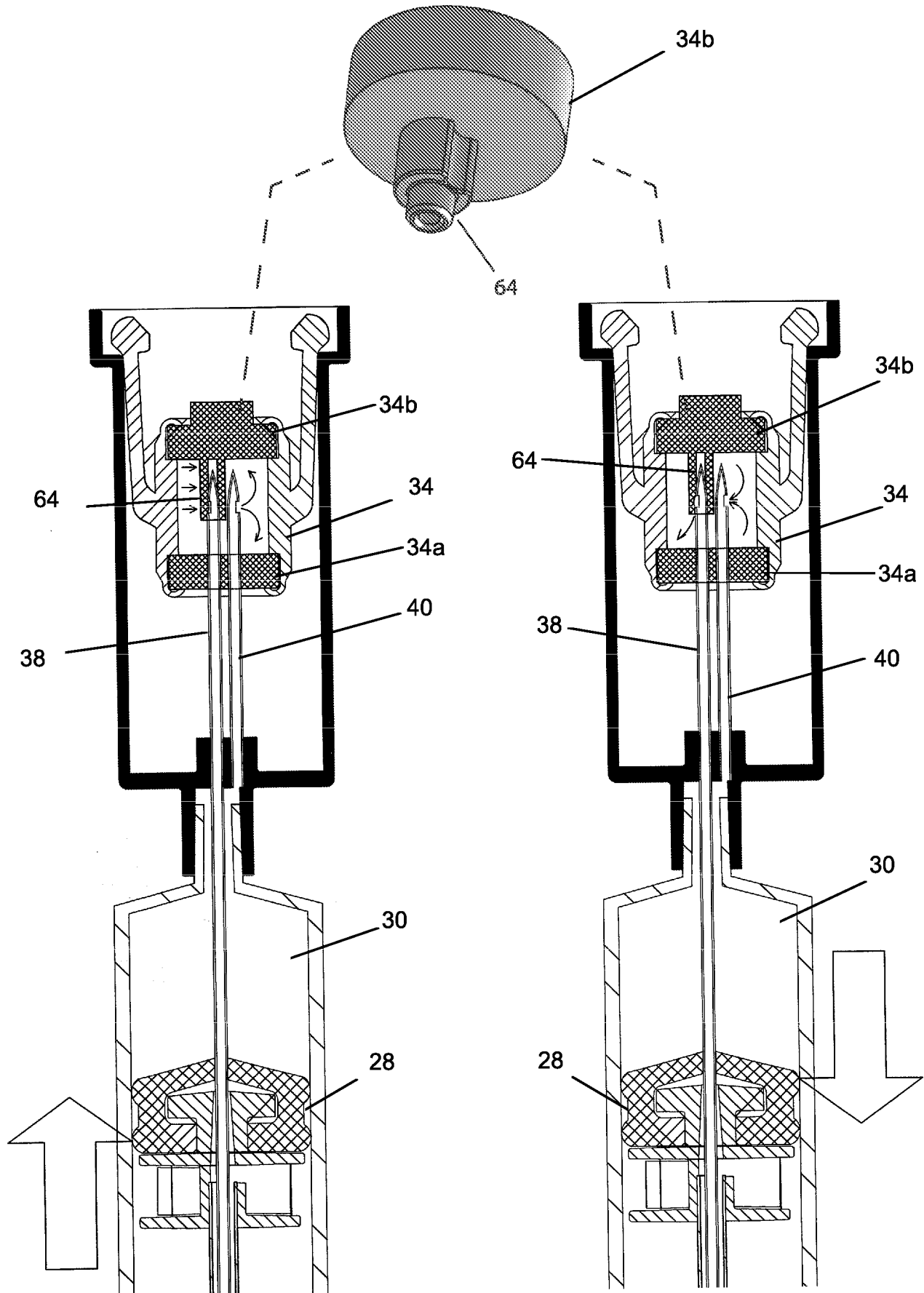


Fig. 4
Prior Art

Fig. 5
Prior Art

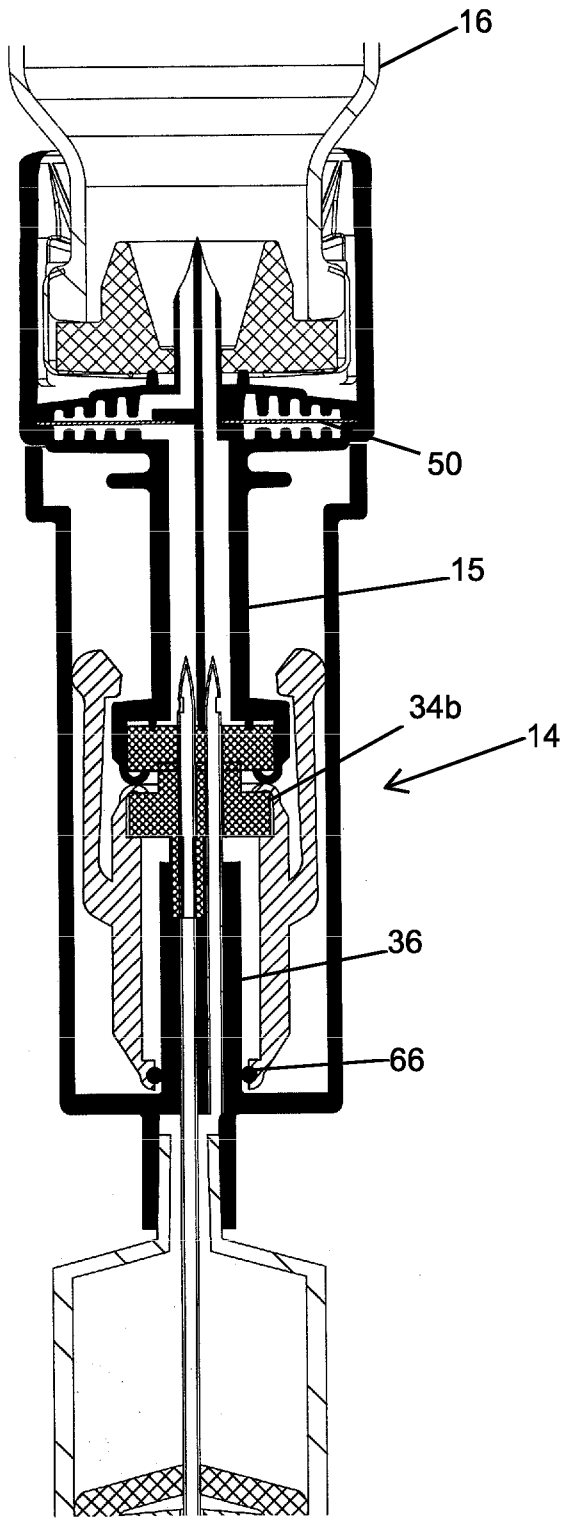


Fig. 7
Prior Art

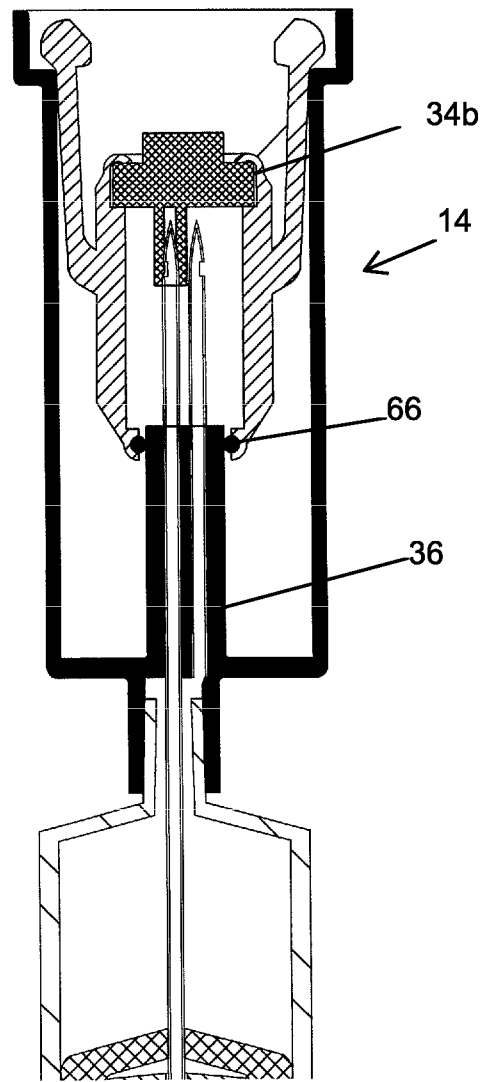
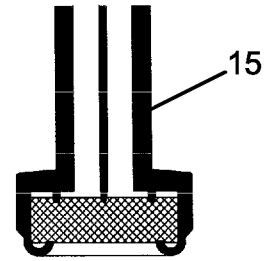


Fig. 6
Prior Art

6/13

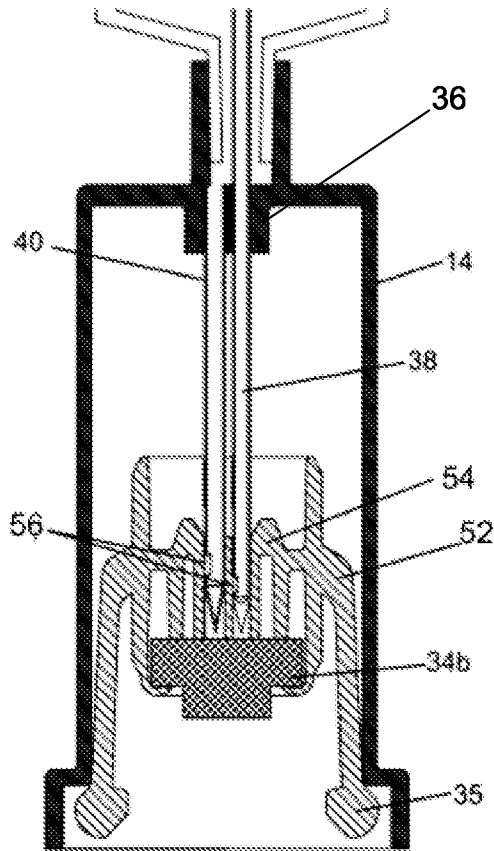


Fig. 8
Prior Art

7/13

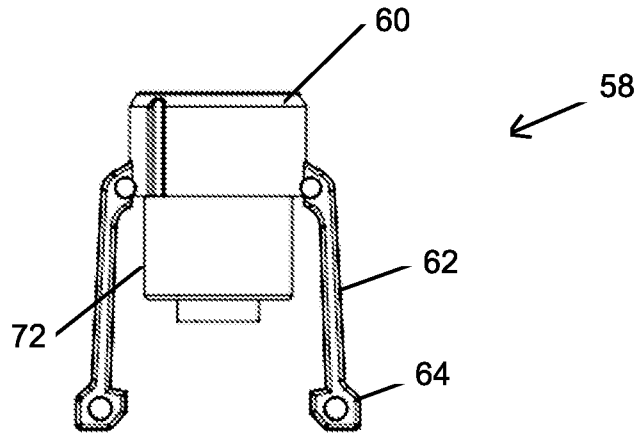


Fig. 9a
Prior Art

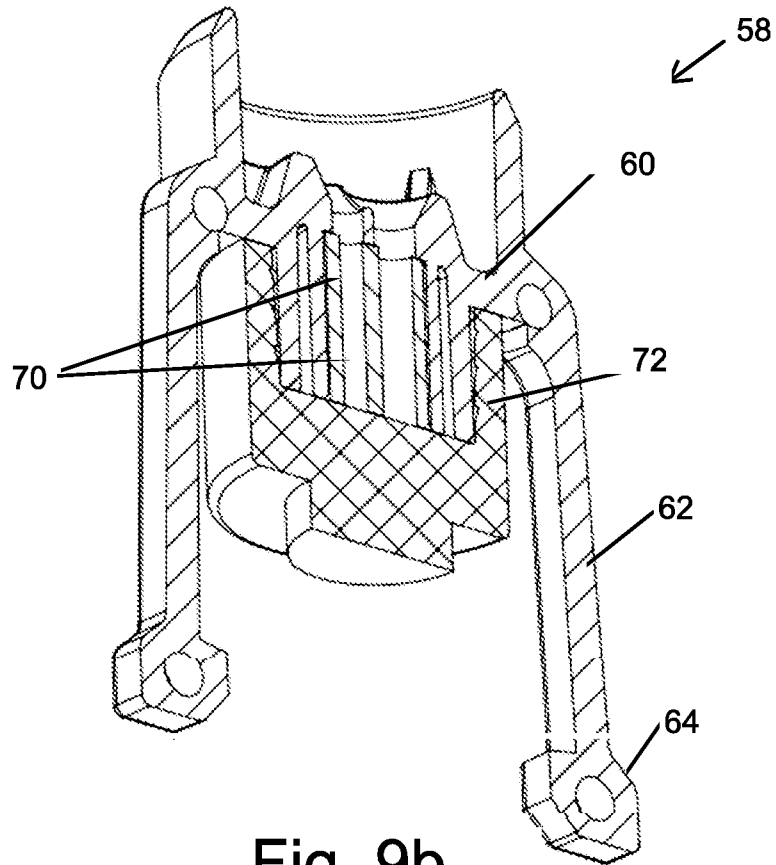


Fig. 9b
Prior Art

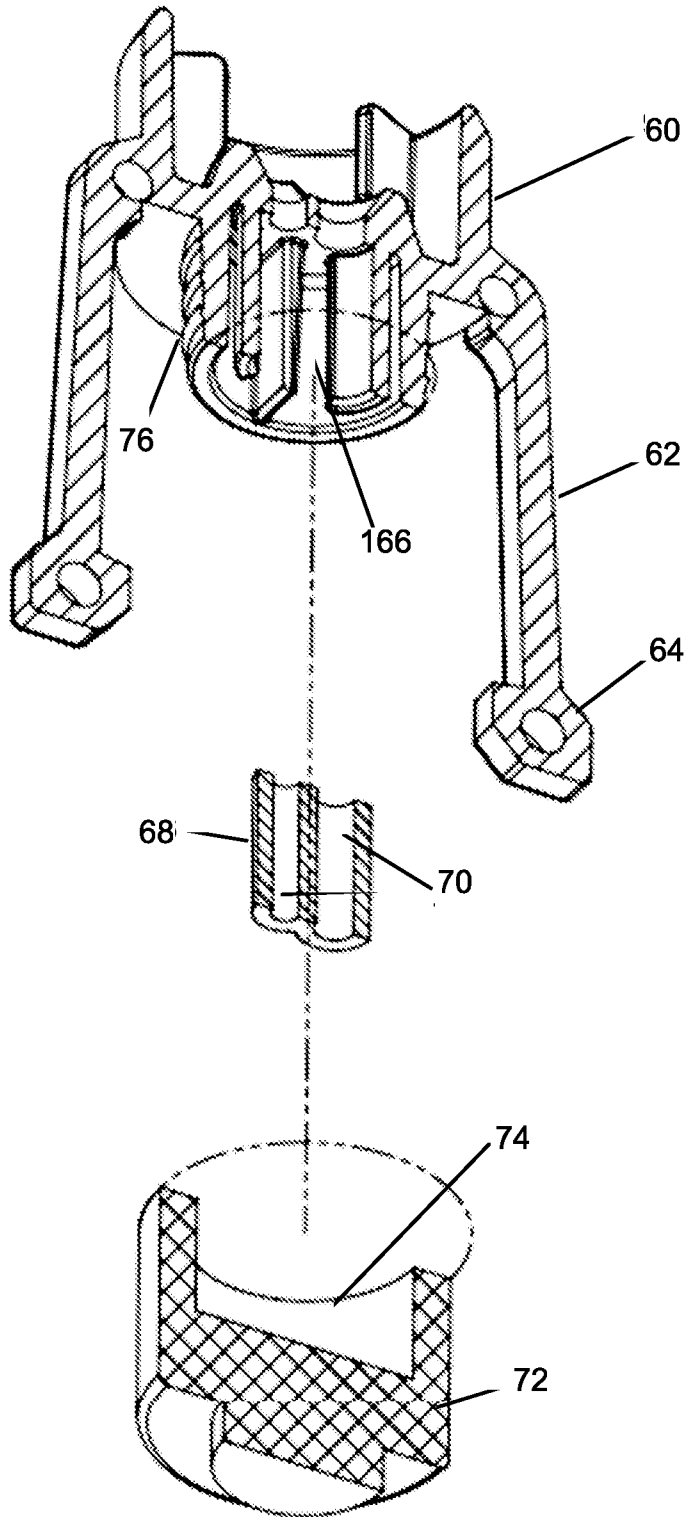


Fig. 9c
Prior Art

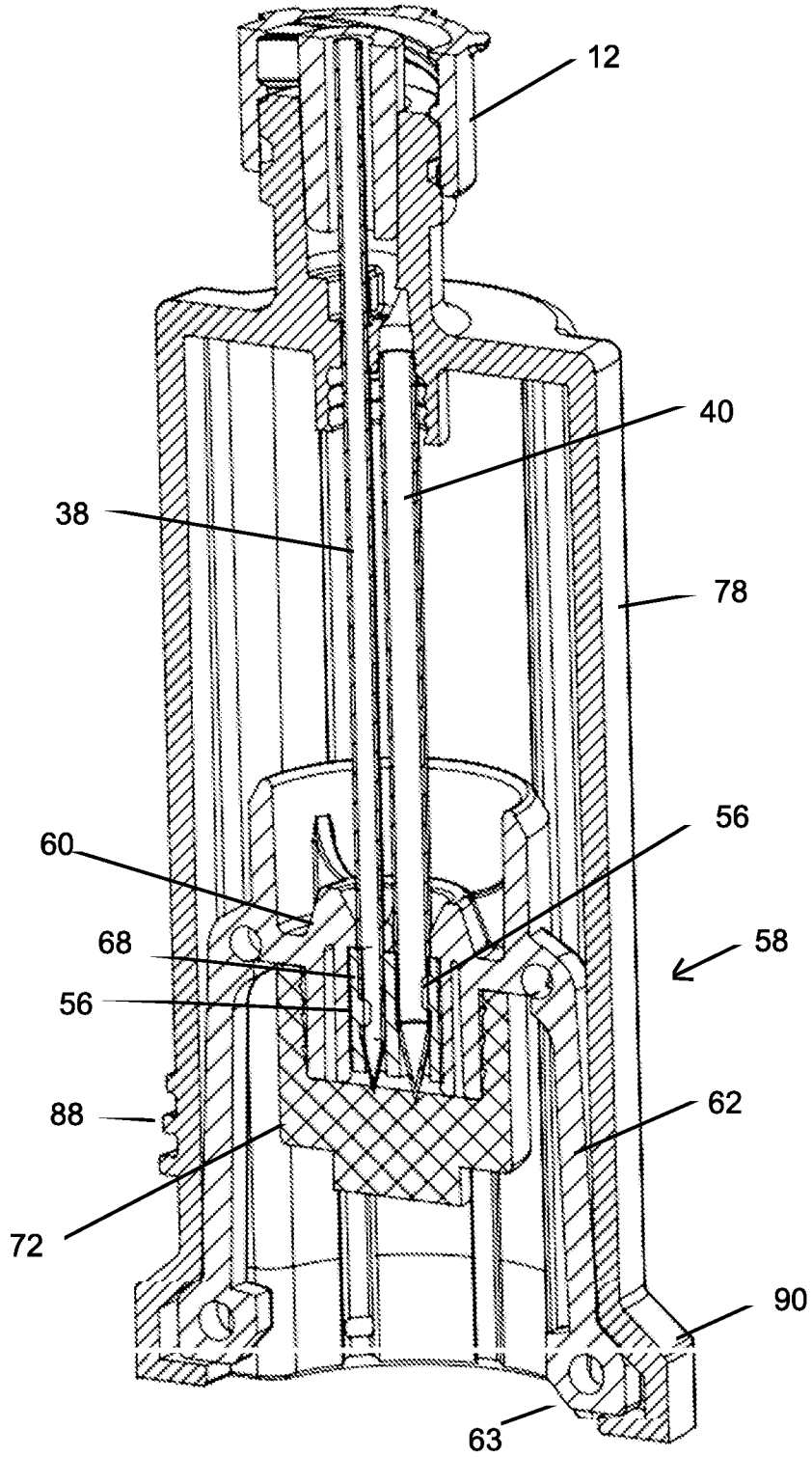


Fig. 9d
Prior Art

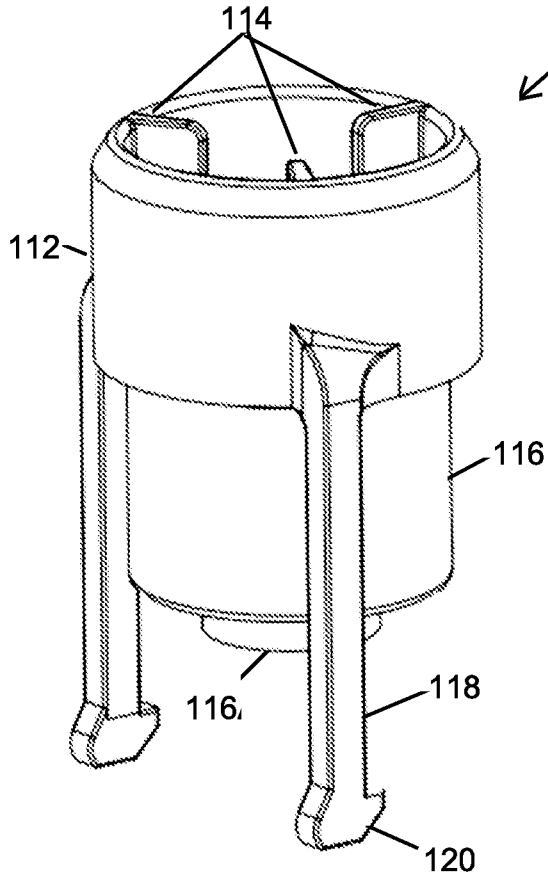


Fig. 10a
Prior Art

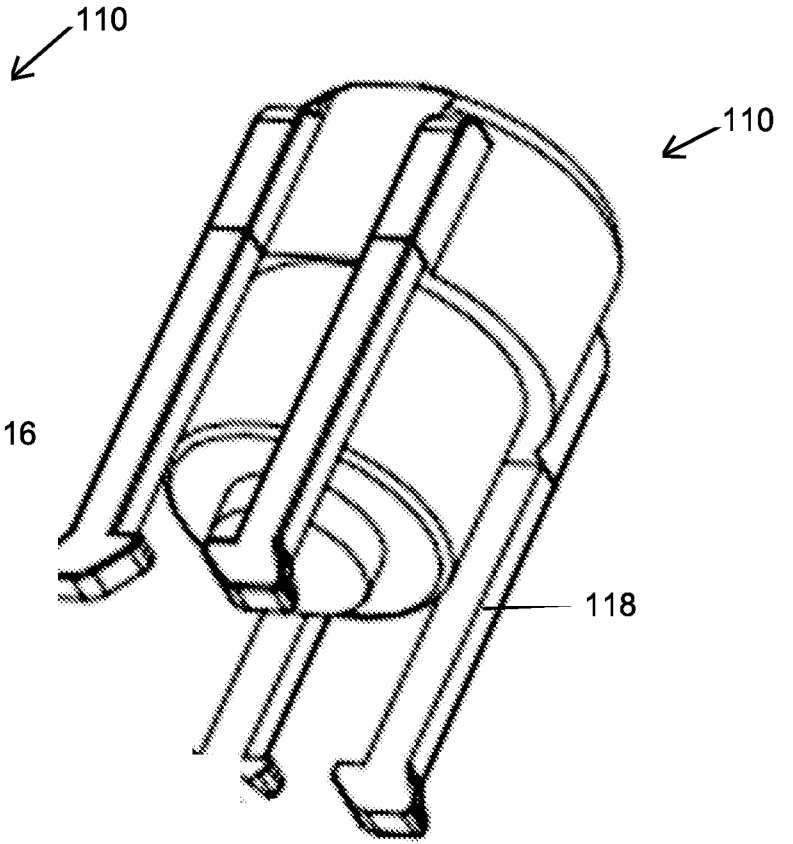


Fig. 10b
Prior Art

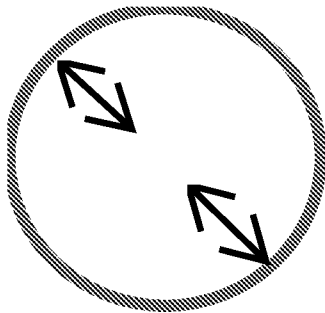


Fig. 11a
Prior Art

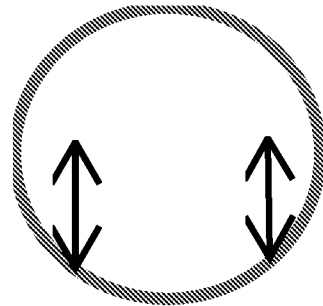


Fig. 11b
Prior Art

11/13

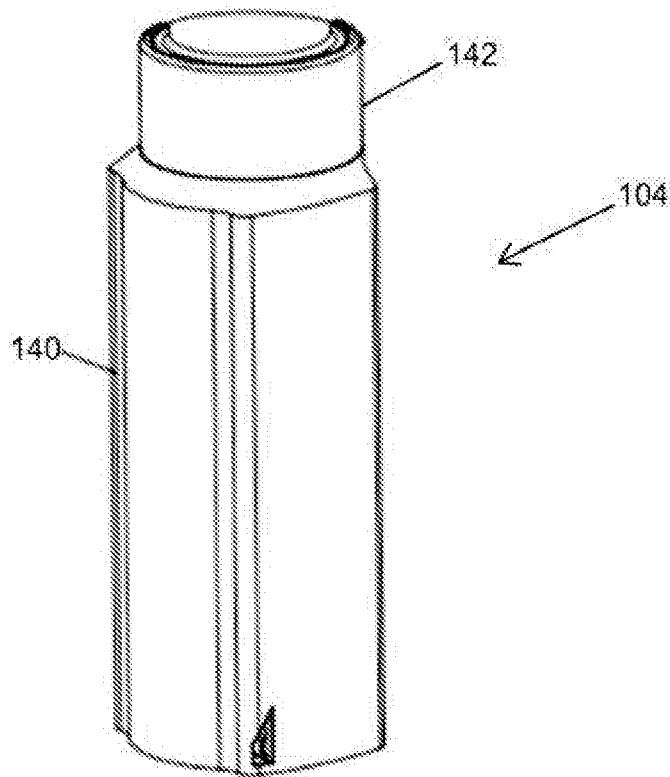


Fig. 12
Prior Art

12/13

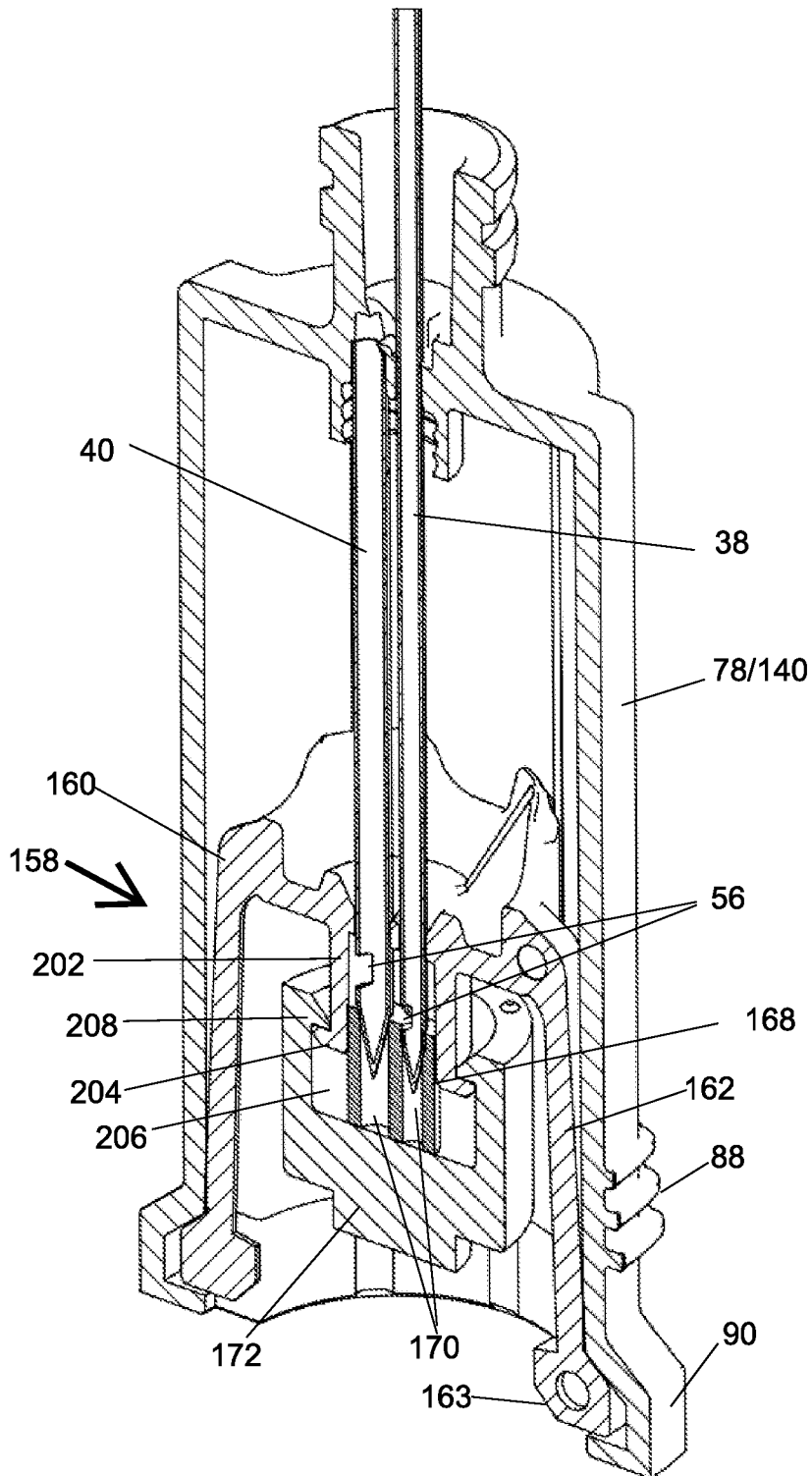


Fig. 13

13/13

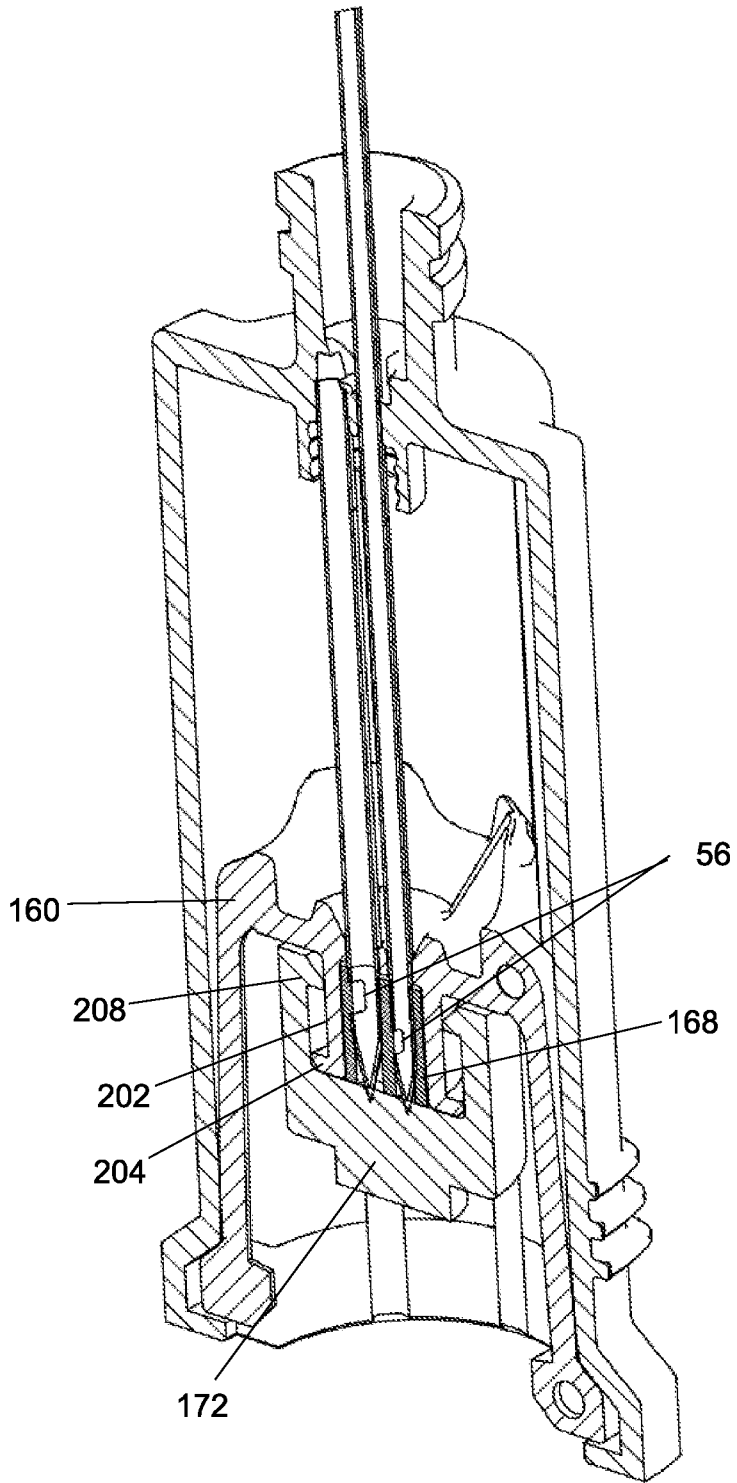


Fig. 14

