



US00D769079S

(12) **United States Design Patent**
Kotani

(10) **Patent No.:** **US D769,079 S**

(45) **Date of Patent:** **** Oct. 18, 2016**

(54) **CONTAINER UPPER CLOSURE**

(71) Applicant: **ZOJIRUSHI CORPORATION**,
Osaka-shi, Osaka (JP)

(72) Inventor: **Keito Kotani**, Kobe (JP)

(73) Assignee: **Zojirushi Corporation** (JP)

(**) Term: **14 Years**

(21) Appl. No.: **29/506,869**

(22) Filed: **Oct. 21, 2014**

(30) **Foreign Application Priority Data**

May 21, 2014 (JP) 2014-010851

(51) **LOC (10) Cl.** **07-01**

(52) **U.S. Cl.**

USPC **D7/608**; D7/630

(58) **Field of Classification Search**

USPC D7/629, 602, 630, 538-542, 601, 605,
D7/606, 607, 608; D9/415-419, 424-432,
D9/516, 519, 520, 521, 522, 529, 530, 537,
D9/538, 539, 540, 541, 542, 543, 549, 559,
D9/575

CPC B65D 1/26; B65D 43/0206; B65D 43/0214;
B65D 43/00; B65D 1/00; B65D 1/22; B65D
1/32; B65D 1/14; B65D 1/24; B65D 1/34;
B65D 3/00; B65D 3/02; B65D 3/28; B65D
5/00; B65D 5/0085; B65D 5/009; B65D
5/18; B65D 7/00; B65D 7/02; B65D 11/00;
B65D 11/02; B65D 11/10; B65D 39/00;
B65D 25/38; B65D 11/20; B65D 77/065;
B65D 2209/00; B65D 2/08; B65D 75/527;
B65D 75/5883; B65D 75/566; B65D 43/163;
B65D 2543/00231; B65D 51/24; A47J 47/02;
A47J 47/08; A47J 47/10; A47G 19/00;
A47G 19/32; A47G 23/00

See application file for complete search history.

(56) **References Cited**

U.S. PATENT DOCUMENTS

D228,114 S * 8/1973 De La Rosa D7/542
D254,180 S * 2/1980 Morin D7/612
D268,469 S * 4/1983 Ruxton D7/320
D300,895 S * 5/1989 Watson D7/392.1
D312,400 S * 11/1990 Schwaikert D9/424
D313,353 S * 1/1991 Hart D32/53.1
D347,359 S * 5/1994 Robbins, III D7/512
5,409,126 A * 4/1995 DeMars B65D 21/0219
206/499
D369,525 S * 5/1996 Winters D7/608

(Continued)

FOREIGN PATENT DOCUMENTS

JP 1184590 9/2003
JP 1185045 9/2003

(Continued)

Primary Examiner — Ian Simmons

Assistant Examiner — Shannon Morgan

(74) *Attorney, Agent, or Firm* — Saidman DesignLaw
Group, LLC

(57)

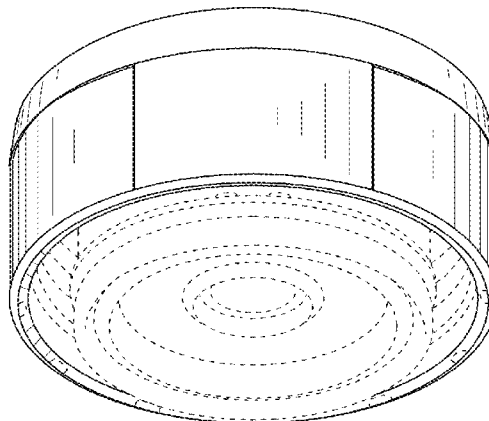
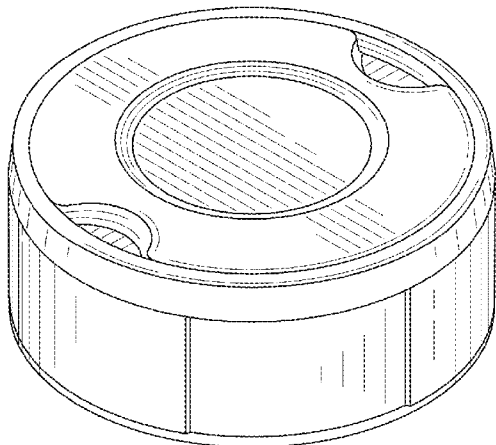
CLAIM

The ornamental design for a container upper closure, as shown and described.

DESCRIPTION

FIG. 1 is a top perspective view of a container upper closure showing my new design;
FIG. 2 is a bottom perspective view thereof;
FIG. 3 is a front elevational view thereof;
FIG. 4 is a rear elevational view thereof;
FIG. 5 is a left side view thereof;
FIG. 6 is a right side view thereof;
FIG. 7 is a top plan view thereof; and,
FIG. 8 is a bottom plan view thereof.
The broken lines shown in the figures represent portions of the article that form no part of the claimed design.

1 Claim, 3 Drawing Sheets



(56)

References Cited

U.S. PATENT DOCUMENTS

D381,872 S * 8/1997 Lin D7/612
 D486,358 S * 2/2004 Dais D7/629
 D527,588 S * 9/2006 de Groote D7/629
 D579,720 S * 11/2008 Rohe D7/509
 D593,811 S * 6/2009 Carreno D7/608
 D622,554 S * 8/2010 Carreno D7/629
 D643,694 S * 8/2011 Lu D7/629
 D651,050 S * 12/2011 Goshi D7/608
 D660,657 S * 5/2012 Picozza D7/629
 D666,061 S * 8/2012 Ying D7/629
 D673,459 S * 1/2013 Moran, Sr. D7/608
 D679,959 S * 4/2013 Lane D7/615
 D679,960 S * 4/2013 Hopkins D7/629

D680,387 S * 4/2013 Hopkins D7/629
 D695,066 S * 12/2013 Nakajima D23/261
 D744,290 S * 12/2015 Endo D7/608
 2011/0186585 A1 * 8/2011 Lu A47J 41/00
 220/575
 2013/0020334 A1 * 1/2013 Chiou B65D 25/24
 220/636
 2015/0102041 A1 * 4/2015 Lee A47G 19/30
 220/575

FOREIGN PATENT DOCUMENTS

JP	1257473	12/2005
JP	1393263	7/2010
JP	1446119	7/2012

* cited by examiner

FIG. 1

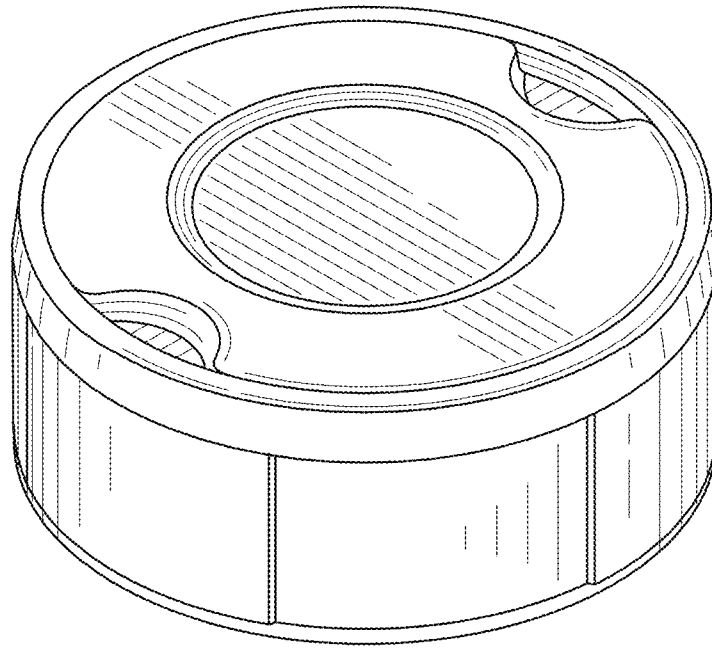


FIG. 2

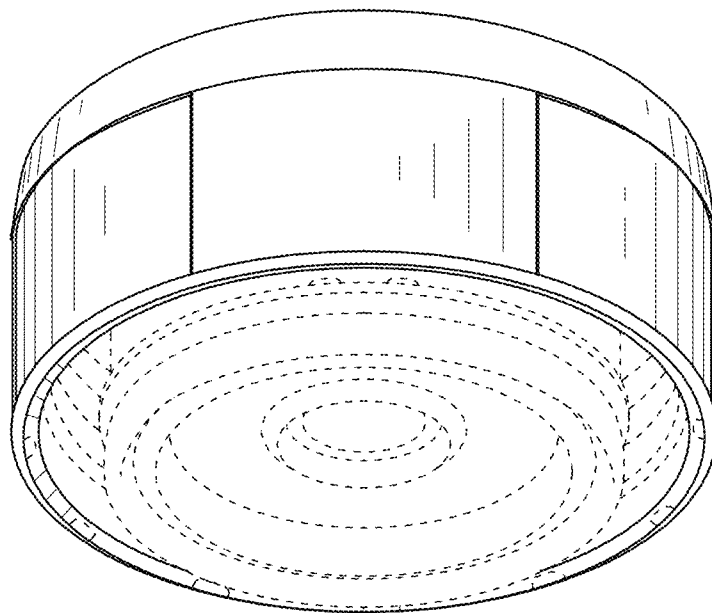


FIG. 3

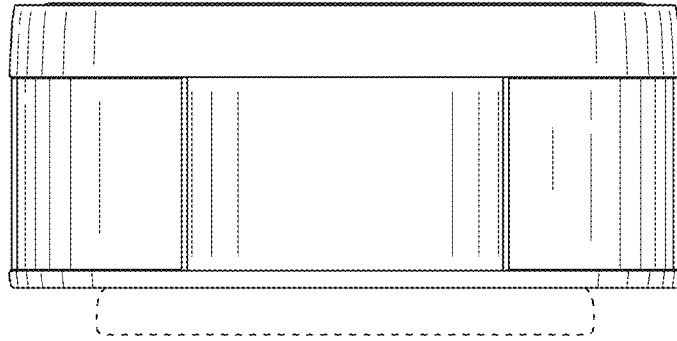


FIG. 4

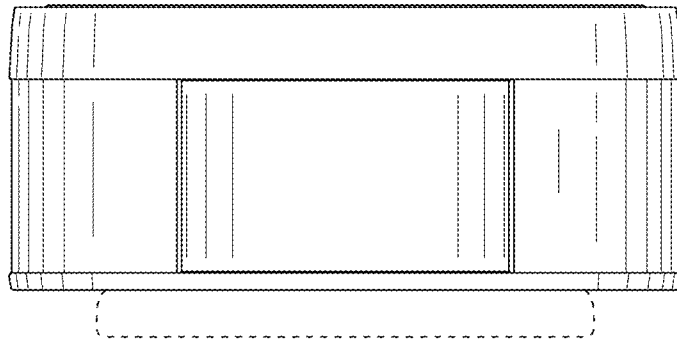


FIG. 5

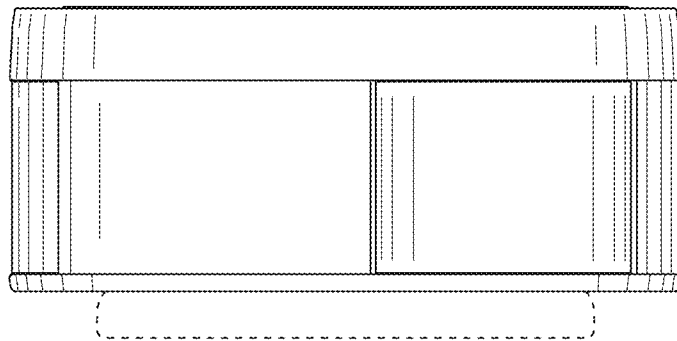


FIG. 6

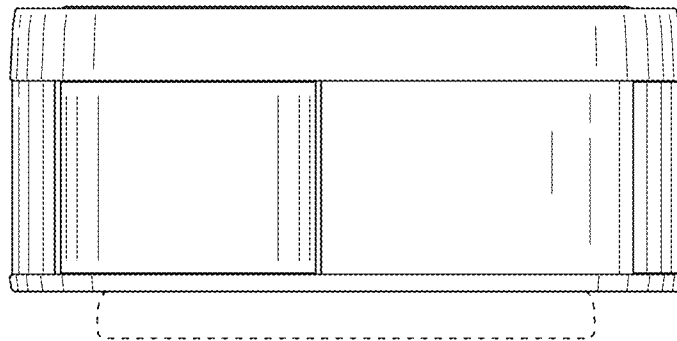


FIG. 7

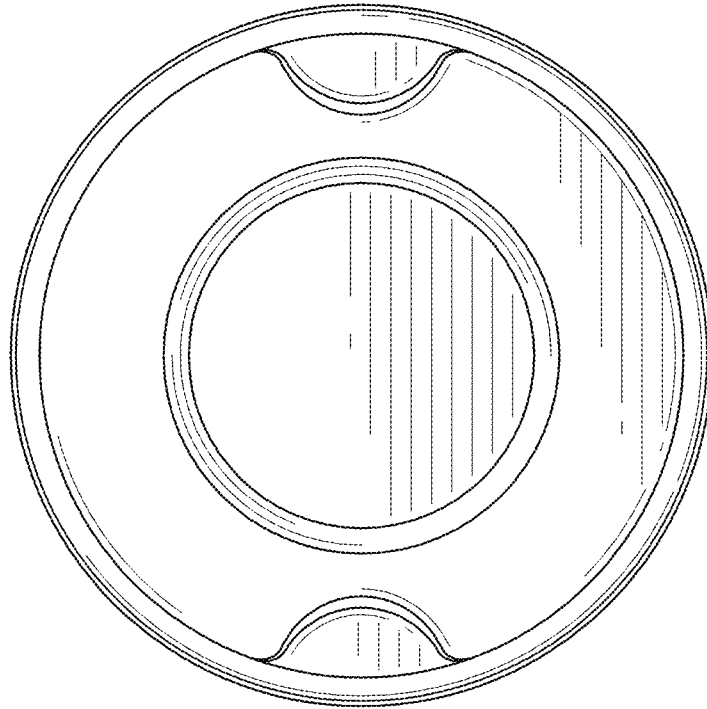


FIG. 8

