



US00D724743S

(12) **United States Design Patent**
Grünenfelder et al.

(10) **Patent No.:** **US D724,743 S**

(45) **Date of Patent:** **** Mar. 17, 2015**

(54) **DENTAL OVEN**

(71) Applicant: **Ivoclar Vivadent AG**, Schaan (LI)

(72) Inventors: **Robert Grünenfelder**, Eschen (LI);
Philipp Kettner, Rankweil (AT); **Walter Pokorny**, Gais (AT)

(73) Assignee: **Ivoclar Vivadent AG**, Schaan (LI)

(**) Term: **14 Years**

(21) Appl. No.: **29/464,181**

(22) Filed: **Aug. 14, 2013**

(30) **Foreign Application Priority Data**

Feb. 20, 2013 (WO) 721448301

(51) **LOC (10) Cl.** **24-01**

(52) **U.S. Cl.**
USPC **D24/176**

(58) **Field of Classification Search**
USPC D24/152-154, 176-182, 216; D15/144,
D15/144.1, 144.2; D23/314, 329, 332, 337,
D23/341; 219/385, 386, 521, 390; 432/32,
432/120, 159, 247, 253, 206; 433/3, 141,
433/147, 215

See application file for complete search history.

(56) **References Cited**

U.S. PATENT DOCUMENTS

5,788,485	A *	8/1998	Grunenfelder et al.	432/206
5,997,293	A *	12/1999	Grunenfelder et al.	432/206
7,001,178	B2 *	2/2006	Grunenfelder et al.	432/206
D545,437	S *	6/2007	Gruenenfelder et al.	D24/176
7,241,140	B2 *	7/2007	Rohner et al.	432/159
D615,656	S *	5/2010	Leitl D24/176	
2001/0023056	A1 *	9/2001	Grunenfelder et al.	433/27
2009/0117504	A1 *	5/2009	Grunenfelder 433/215	
2009/0226855	A1 *	9/2009	Rohner et al.	432/120

* cited by examiner

Primary Examiner — Wan Laymon

(74) *Attorney, Agent, or Firm* — Ann M. Knab; Thad McMurray

CLAIM

(57) The ornamental design for a dental oven, as shown and described.

DESCRIPTION

FIG. 1 is a front view of a dental oven, showing our new design.

FIG. 2 is a rear view of FIG. 1.

FIG. 3 is a right-side view of FIG. 1.

FIG. 4 is a left-side view of FIG. 1.

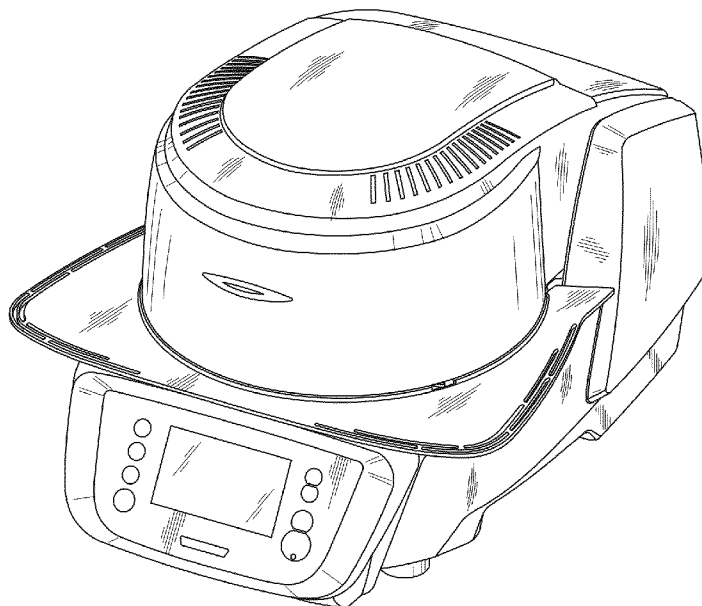
FIG. 5 is a top view of FIG. 1.

FIG. 6 is a bottom view of FIG. 1; and,

FIG. 7 is a perspective view of FIG. 1.

Portions of the dental furnace shown in broken lines form no part of the claimed design.

1 Claim, 7 Drawing Sheets



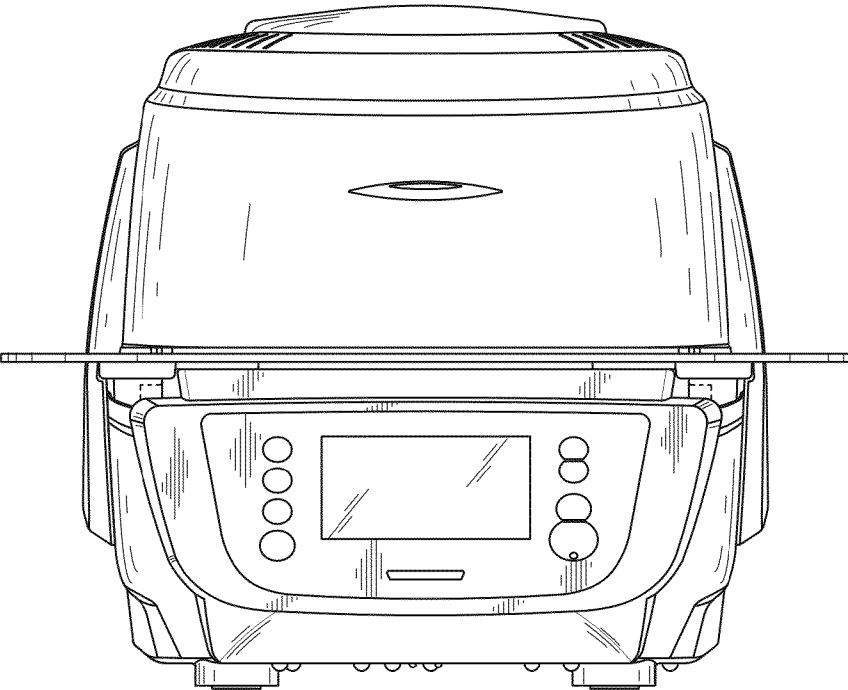


Fig. 1

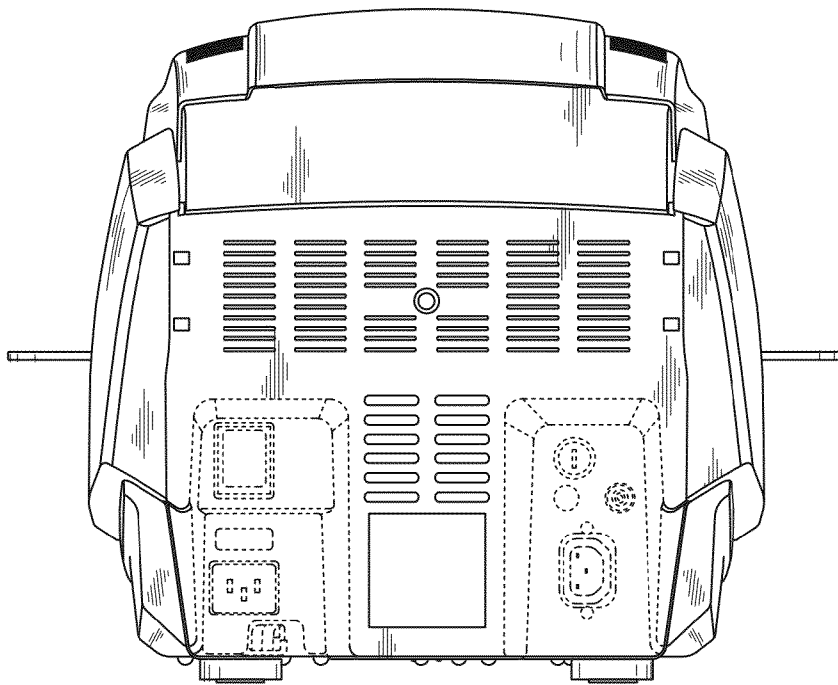


Fig. 2

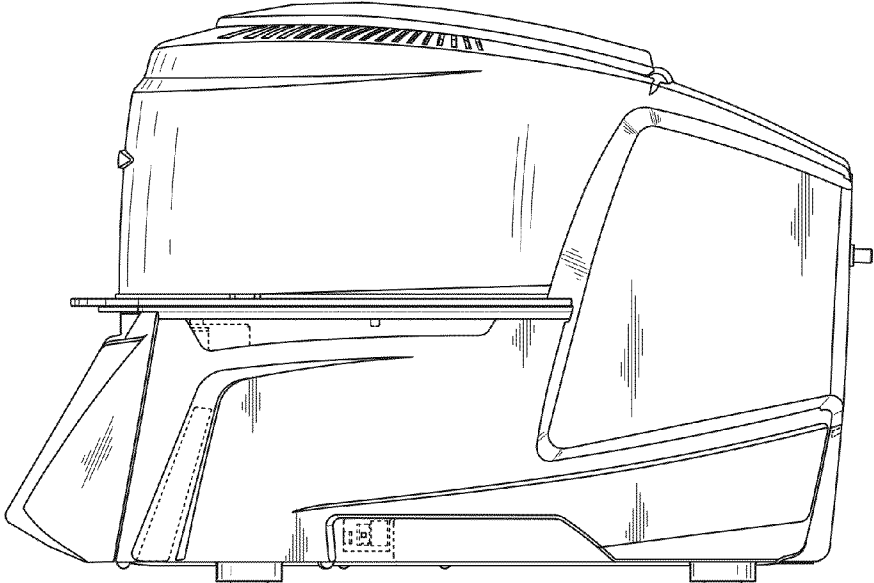


Fig. 3

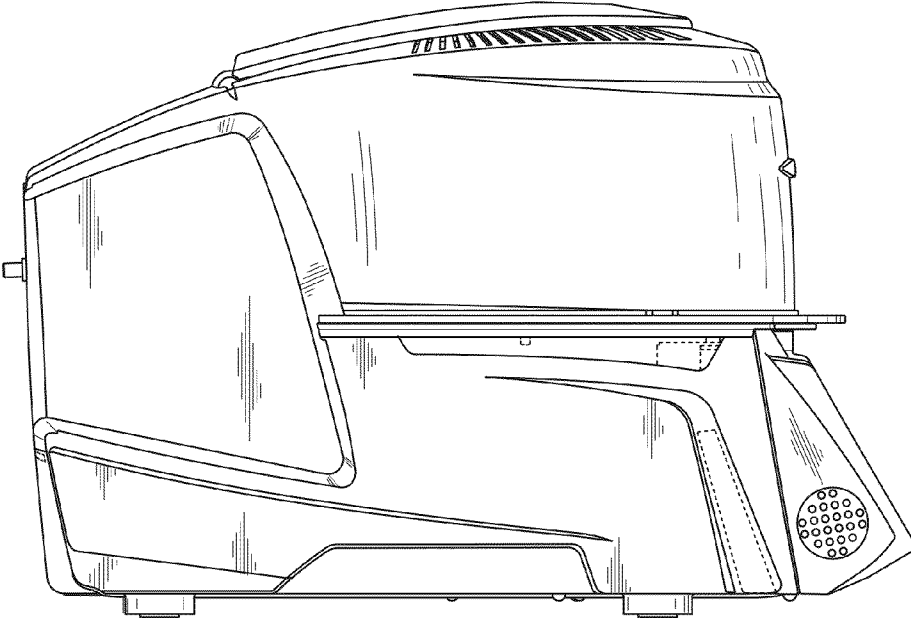


Fig. 4

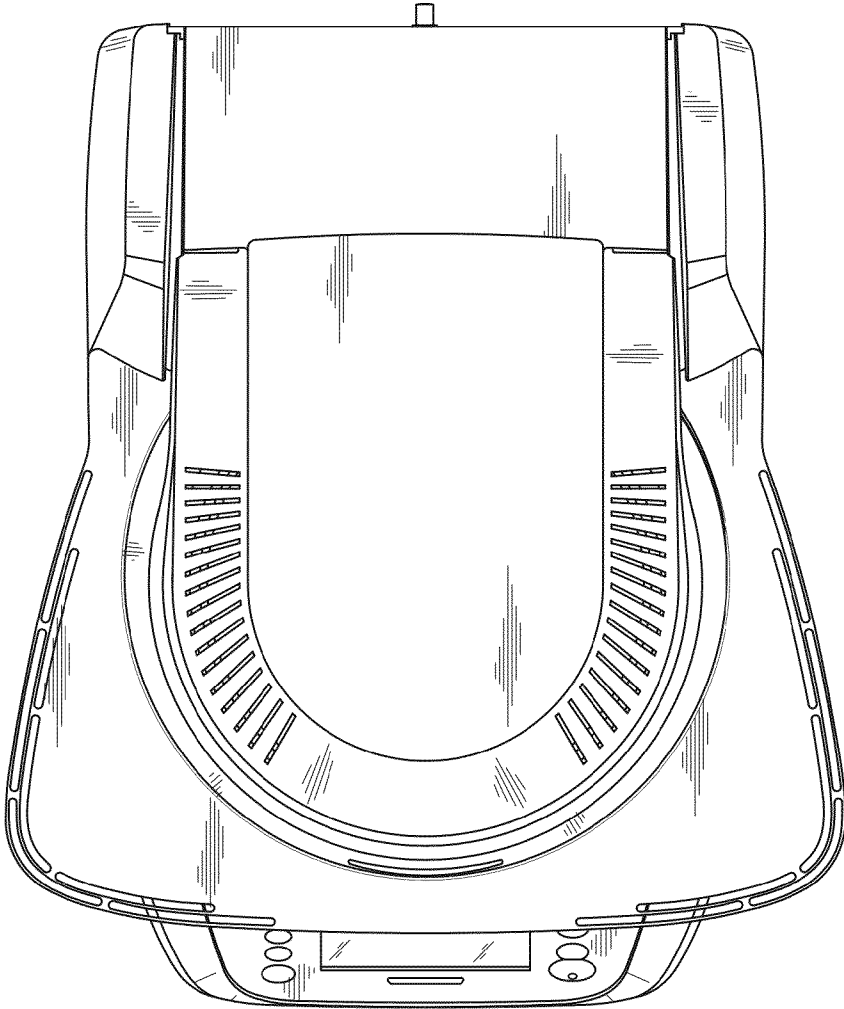


Fig. 5

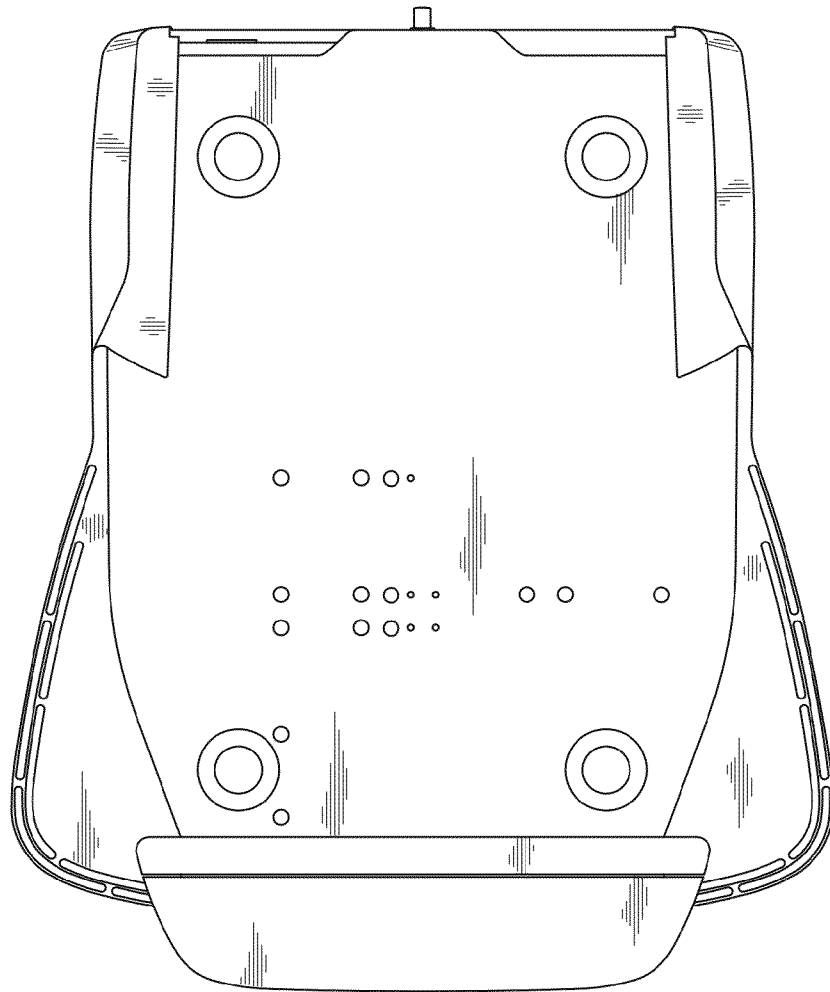


Fig. 6

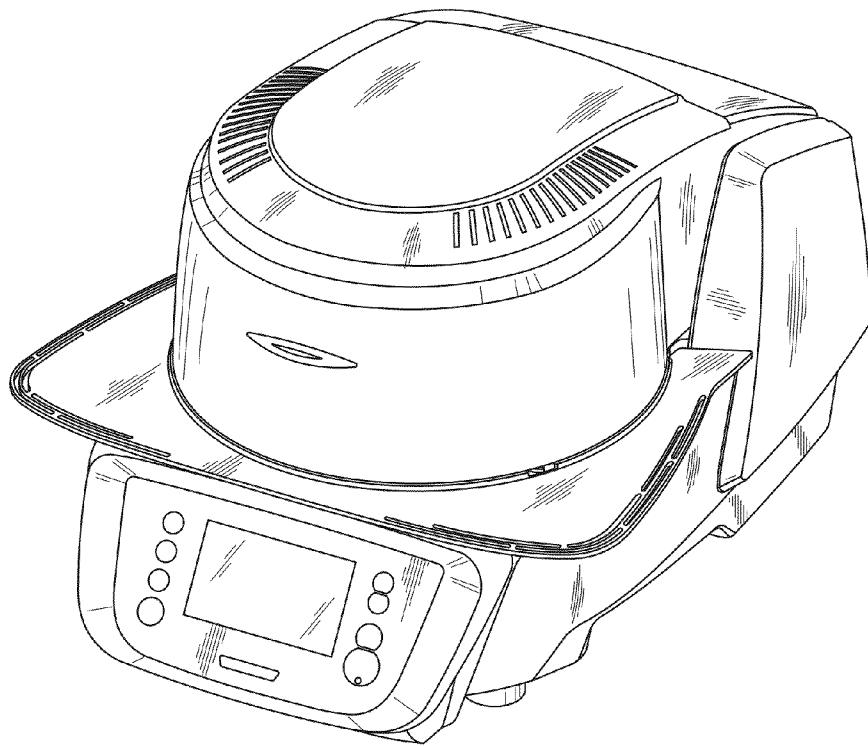


Fig. 7