

(19) World Intellectual Property Organization
International Bureau



(43) International Publication Date
27 December 2001 (27.12.2001)

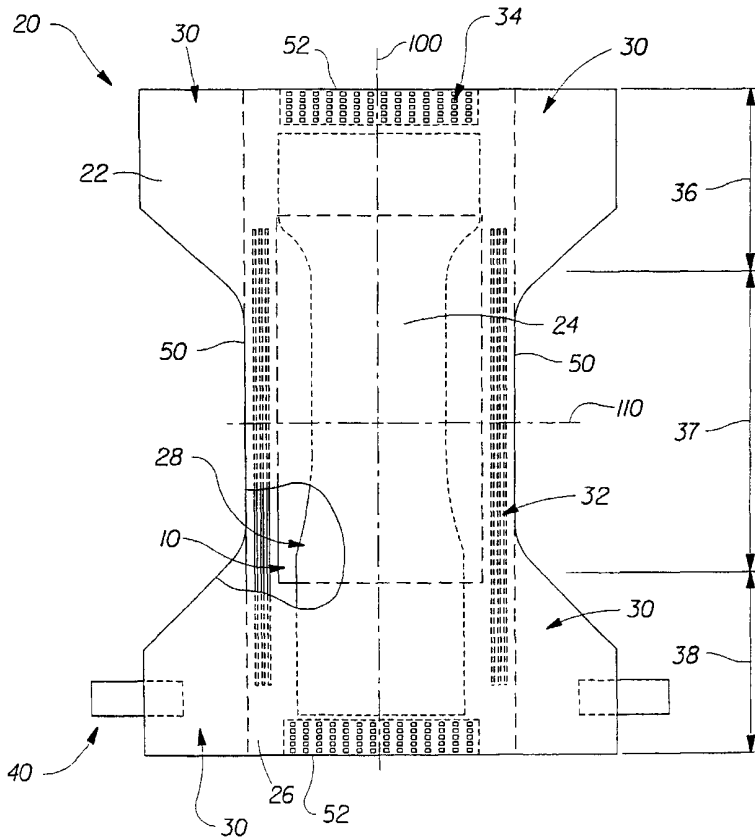
PCT

(10) International Publication Number
WO 01/97731 A3

- (51) International Patent Classification⁷: **A61F 13/514**, B32B 27/12
- (72) Inventors: **MIRLE, Srinivas, Krishnaswa**: 4823 Cedar Brooke Court, Liberty Township, OH 45011 (US). **SCHMIDT, Mattias**: Charlotte-Rosenthal - Str. 21, 65510 Idstein (DE). **MCKIBBIN, John, Ferney**: 7946 Eagleridge Drive, West Chester, OH 45069 (US). **SPRENGARD-EICHEL, Cornelia**: Liederbacher Strasse 31, 65929 Frankfurt (DE). **POLAT, Suna**: 8741 Tiburon Drive, Cincinnati, OH 45249 (US).
- (21) International Application Number: PCT/US01/19817
- (22) International Filing Date: 21 June 2001 (21.06.2001)
- (25) Filing Language: English
- (26) Publication Language: English
- (30) Priority Data: PCT/US00/17084 21 June 2000 (21.06.2000) US
- (74) Agents: **REED, T., David** et al.: The Procter & Gamble Company, 5299 Spring Grove Avenue, Cincinnati, OH 45217-1087 (US).
- (71) Applicant: **THE PROCTER & GAMBLE COMPANY** [US/US]; One Procter & Gamble Plaza, Cincinnati, OH 45202 (US).
- (81) Designated States (*national*): AE, AG, AL, AM, AT, AT (utility model), AU, AZ, BA, BB, BG, BR, BY, BZ, CA, CH, CN, CO, CR, CU, CZ, CZ (utility model), DE, DE (utility model), DK, DK (utility model), DM, DZ, EE, EE (utility model), ES, FI, FI (utility model), GB, GD, GE, GH, GM, HR, HU, ID, IL, IN, IS, JP, KE, KG, KP, KR, KZ, LC,

[Continued on next page]

(54) Title: ABSORBENT BARRIER STRUCTURES HAVING A HIGH CONVECTIVE AIR FLOW RATE AND ARTICLES MADE THEREFROM



(57) Abstract: The present invention relates to absorbent articles with improved protection and comfort by use of an absorbent barrier structure. This is achieved by the selection of individual components meeting specific requirements such that the combination thereof provides the absorbent articles having desired performance



WO 01/97731 A3



LK, LR, LS, LT, LU, LV, MA, MD, MG, MK, MN, MW, MX, MZ, NO, NZ, PL, PT, RO, RU, SD, SE, SG, SI, SK, SK (utility model), SL, TJ, TM, TR, TT, TZ, UA, UG, UZ, VN, YU, ZA, ZW.

(84) Designated States (regional): ARIPO patent (GH, GM, KE, LS, MW, MZ, SD, SL, SZ, TZ, UG, ZW), Eurasian patent (AM, AZ, BY, KG, KZ, MD, RU, TJ, TM), European patent (AT, BE, CH, CY, DE, DK, ES, FI, FR, GB, GR, IE, IT, LU, MC, NL, PT, SE, TR), OAPI patent (BF, BJ, CF, CG, CI, CM, GA, GN, GW, ML, MR, NE, SN, TD, TG).

Published:

— with international search report

(88) Date of publication of the international search report:

16 May 2002

For two-letter codes and other abbreviations, refer to the "Guidance Notes on Codes and Abbreviations" appearing at the beginning of each regular issue of the PCT Gazette.

INTERNATIONAL SEARCH REPORT

International Application No
PCT/US 01/19817

A. CLASSIFICATION OF SUBJECT MATTER IPC 7 A61F13/514 B32B27/12		
According to International Patent Classification (IPC) or to both national classification and IPC		
B. FIELDS SEARCHED		
Minimum documentation searched (classification system followed by classification symbols) IPC 7 A61F B32B		
Documentation searched other than minimum documentation to the extent that such documents are included in the fields searched		
Electronic data base consulted during the international search (name of data base and, where practical, search terms used) EPO-Internal, PAJ		
C. DOCUMENTS CONSIDERED TO BE RELEVANT		
Category *	Citation of document, with indication, where appropriate, of the relevant passages	Relevant to claim No.
X	WO 96 09165 A (EXXON CHEMICAL PATENTS INC) 28 March 1996 (1996-03-28) page 16, line 23 - line 27; claims; figures ---	5,6, 9-11,15, 18-20
X	WO 95 03114 A (UNIV TENNESSEE RES CORP) 2 February 1995 (1995-02-02) page 6, line 30 - line 33; claims 1-17 ---	5,6
A		9-11,15, 18-20
X	EP 0 868 895 A (UNI CHARM CORP) 7 October 1998 (1998-10-07) column 3, line 15 -column 4, line 50; figures ---	5,6
A		9-11,15, 18-20
	-/--	
<input checked="" type="checkbox"/> Further documents are listed in the continuation of box C. <input checked="" type="checkbox"/> Patent family members are listed in annex.		
* Special categories of cited documents : *A* document defining the general state of the art which is not considered to be of particular relevance *E* earlier document but published on or after the international filing date *L* document which may throw doubts on priority claim(s) or which is cited to establish the publication date of another citation or other special reason (as specified) *O* document referring to an oral disclosure, use, exhibition or other means *P* document published prior to the international filing date but later than the priority date claimed *T* later document published after the international filing date or priority date and not in conflict with the application but cited to understand the principle or theory underlying the invention *X* document of particular relevance: the claimed invention cannot be considered novel or cannot be considered to involve an inventive step when the document is taken alone *Y* document of particular relevance: the claimed invention cannot be considered to involve an inventive step when the document is combined with one or more other such documents, such combination being obvious to a person skilled in the art. *&* document member of the same patent family		
Date of the actual completion of the international search 20 December 2001		Date of mailing of the international search report 11/01/2002
Name and mailing address of the ISA European Patent Office, P.B. 5818 Patentlaan 2 NL - 2280 HV Rijswijk Tel. (+31-70) 340-2040, Tx. 31 651 epo nl, Fax: (+31-70) 340-3016		Authorized officer Mirza, A

INTERNATIONAL SEARCH REPORT

International Application No
PCT/US 01/19817

C.(Continuation) DOCUMENTS CONSIDERED TO BE RELEVANT

Category	Citation of document, with indication, where appropriate, of the relevant passages	Relevant to claim No.
A	GB 2 308 814 A (KIMBERLY CLARK CO) 9 July 1997 (1997-07-09) abstract ---	5,6, 9-11,15, 18-20
A	PATENT ABSTRACTS OF JAPAN vol. 1999, no. 03, 31 March 1999 (1999-03-31) & JP 10 337306 A (DAISAN KK), 22 December 1998 (1998-12-22) abstract ---	5,6, 9-11,15, 18-20
A	DE 32 45 196 A (LINNICH PAPIER & KUNSTSTOFF) 7 June 1984 (1984-06-07) claims; figures ---	5,6, 9-11,15, 18-20
A	WO 99 12734 A (KIMBERLY CLARK CO) 18 March 1999 (1999-03-18) page 13, line 30 -page 14, line 5; claims; figures ---	5,6, 9-11,15, 18-20
A	US 5 204 165 A (SCHORTMANN WALTER E) 20 April 1993 (1993-04-20) abstract; figures ---	5,6, 9-11,15, 18-20
A	US 4 306 559 A (SHIRASE TOSHIHIRO ET AL) 22 December 1981 (1981-12-22) -----	

FURTHER INFORMATION CONTINUED FROM PCT/ISA/ 210

Continuation of Box I.2

Claims Nos.: 1-4,7,8,12-14,16,17

Present claims 1-4, 7,8,12-14,16,17 relate to a product defined (inter alia) by reference to the following parameter(s):

- P1: convective air permeability
- P2: dynamic liquid impact value
- P3: static liquid transmission value
- P4: post-compression air permeability

The use of these parameters in the present context is considered to lead to a lack of clarity within the meaning of Article 6 PCT. It is impossible to compare the parameters the applicant has chosen to employ with what is set out in the prior art. The lack of clarity is such as to render a meaningful complete search impossible. Consequently, the search has been restricted to examples 1-9 mentioned in the description at pages 31-35 taking into account the claims 5,6,9,10,11,15,18-20.

The applicant's attention is drawn to the fact that claims, or parts of claims, relating to inventions in respect of which no international search report has been established need not be the subject of an international preliminary examination (Rule 66.1(e) PCT). The applicant is advised that the EPO policy when acting as an International Preliminary Examining Authority is normally not to carry out a preliminary examination on matter which has not been searched. This is the case irrespective of whether or not the claims are amended following receipt of the search report or during any Chapter II procedure.

INTERNATIONAL SEARCH REPORT

Information on patent family members

International Application No
PCT/US 01/19817

Patent document cited in search report	Publication date	Patent family member(s)	Publication date	
WO 9609165	A	28-03-1996	CA 2200493 A1	28-03-1996
			CN 1158104 A	27-08-1997
			DE 69514669 D1	24-02-2000
			DE 69514669 T2	08-06-2000
			EP 0782504 A1	09-07-1997
			JP 10511318 T	04-11-1998
			WO 9609165 A1	28-03-1996
WO 9503114	A	02-02-1995	US 5443606 A	22-08-1995
			AU 7371794 A	20-02-1995
			CA 2167836 A1	02-02-1995
			CN 1130879 A ,B	11-09-1996
			EP 0719172 A1	03-07-1996
			JP 9500694 T	21-01-1997
			WO 9503114 A1	02-02-1995
			US 5599366 A	04-02-1997
EP 0868895	A	07-10-1998	JP 10272154 A	13-10-1998
			CN 1196229 A	21-10-1998
			EP 0868895 A2	07-10-1998
			SG 65748 A1	22-06-1999
			US 5990376 A	23-11-1999
GB 2308814	A	09-07-1997	US 5558658 A	24-09-1996
			AU 686915 B2	12-02-1998
			AU 4135896 A	17-06-1996
			BR 9509758 A	25-11-1997
			CA 2206545 A1	30-05-1996
			CN 1172424 A	04-02-1998
			CZ 9701542 A3	15-10-1997
			EP 0793470 A1	10-09-1997
			FR 2727011 A1	24-05-1996
			GB 2295322 A ,B	29-05-1996
			HU 77984 A2	29-03-1999
			JP 11502126 T	23-02-1999
			PL 320362 A1	29-09-1997
			SK 64297 A3	04-03-1998
			WO 9615747 A1	30-05-1996
			US 5810797 A	22-09-1998
			ZA 9509618 A	29-05-1996
JP 10337306	A	22-12-1998	NONE	
DE 3245196	A	07-06-1984	DE 3245196 A1	07-06-1984
WO 9912734	A	18-03-1999	AU 9230898 A	29-03-1999
			CN 1278210 T	27-12-2000
			EP 1023170 A1	02-08-2000
			TW 420637 B	01-02-2001
			WO 9912734 A1	18-03-1999
ZA 9807964 A	04-03-1999			
US 5204165	A	20-04-1993	NONE	
US 4306559	A	22-12-1981	JP 55116802 A	08-09-1980
			DE 3004743 A1	04-09-1980
			FR 2450070 A1	26-09-1980