



- (51) **International Patent Classification:**  
*H01L 21/683* (2006.01) *G02F 1/13* (2006.01)  
*H01L 21/324* (2006.01)
- (21) **International Application Number:** PCT/US2012/025818
- (22) **International Filing Date:** 20 February 2012 (20.02.2012)
- (25) **Filing Language:** English
- (26) **Publication Language:** English
- (30) **Priority Data:**  
61/446,026 23 February 2011 (23.02.2011) US  
13/193,489 28 July 2011 (28.07.2011) US
- (71) **Applicant (for all designated States except US):** APPLIED MATERIALS, INC. [US/US]; 3050 Bowers Avenue, Santa Clara, CA 95054 (US).
- (72) **Inventors; and**
- (75) **Inventors/Applicants (for US only):** KOELMEL, Blake [US/US]; 777 W. Middlefield Rd., Apt. 85, Mountain View, California 94043 (US). RANISH, Joseph M. [US/US]; 3751 Woodleaf Court, San Jose, California CA (US). MAYUR, Abhilash J. [US/US]; 17651 Olsen Place, Salinas, California 93907 (US).
- (74) **Agents:** PATTERSON, B. Todd et al.; Patterson & Sheridan, L.L.P., 3040 Post Oak Blvd., Suite 1500, Houston, Texas 77056-6582 (US).

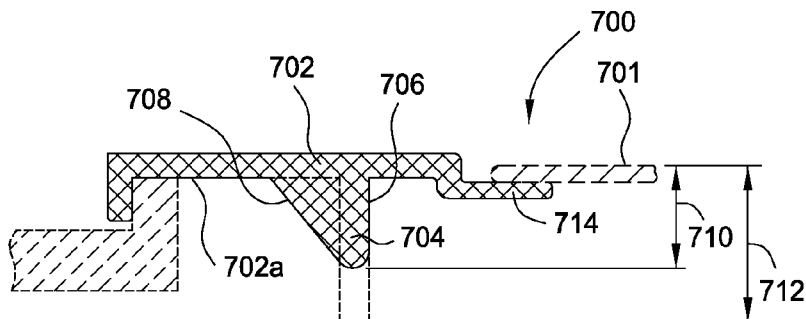
- (81) **Designated States (unless otherwise indicated, for every kind of national protection available):** AE, AG, AL, AM, AO, AT, AU, AZ, BA, BB, BG, BH, BR, BW, BY, BZ, CA, CH, CL, CN, CO, CR, CU, CZ, DE, DK, DM, DO, DZ, EC, EE, EG, ES, FI, GB, GD, GE, GH, GM, GT, HN, HR, HU, ID, IL, IN, IS, JP, KE, KG, KM, KN, KP, KR, KZ, LA, LC, LK, LR, LS, LT, LU, LY, MA, MD, ME, MG, MK, MN, MW, MX, MY, MZ, NA, NG, NI, NO, NZ, OM, PE, PG, PH, PL, PT, QA, RO, RS, RU, RW, SC, SD, SE, SG, SK, SL, SM, ST, SV, SY, TH, TJ, TM, TN, TR, TT, TZ, UA, UG, US, UZ, VC, VN, ZA, ZM, ZW.
- (84) **Designated States (unless otherwise indicated, for every kind of regional protection available):** ARIPO (BW, GH, GM, KE, LR, LS, MW, MZ, NA, RW, SD, SL, SZ, TZ, UG, ZM, ZW), Eurasian (AM, AZ, BY, KG, KZ, MD, RU, TJ, TM), European (AL, AT, BE, BG, CH, CY, CZ, DE, DK, EE, ES, FI, FR, GB, GR, HR, HU, IE, IS, IT, LT, LU, LV, MC, MK, MT, NL, NO, PL, PT, RO, RS, SE, SI, SK, SM, TR), OAPI (BF, BJ, CF, CG, CI, CM, GA, GN, GQ, GW, ML, MR, NE, SN, TD, TG).

**Published:**

- with international search report (Art. 21(3))
- before the expiration of the time limit for amending the claims and to be republished in the event of receipt of amendments (Rule 48.2(h))

- (88) **Date of publication of the international search report:** 24 January 2013

(54) **Title:** EDGE RING FOR A THERMAL PROCESSING CHAMBER



**FIG. 7A**

(57) **Abstract:** Embodiments of the present invention provide an edge ring for supporting a substrate with increased temperature uniformity. More particularly, embodiments of the present invention provide an edge ring having one or more surface area increasing structures formed on an energy receiving surface of the edge ring.

WO 2012/115907 A3

## INTERNATIONAL SEARCH REPORT

International application No.  
**PCT/US2012/025818****A. CLASSIFICATION OF SUBJECT MATTER***H01L 21/683(2006.01)i, H01L 21/324(2006.01)i, G02F 1/13(2006.01)i*

According to International Patent Classification (IPC) or to both national classification and IPC

**B. FIELDS SEARCHED**

Minimum documentation searched (classification system followed by classification symbols)

H01L 21/683; C23C 16/46; C23C 16/513; B44C 1/22; C23C 16/00

Documentation searched other than minimum documentation to the extent that such documents are included in the fields searched

Korean utility models and applications for utility models

Japanese utility models and applications for utility models

Electronic data base consulted during the international search (name of data base and, where practicable, search terms used)

eKOMPASS(KIPO internal) &amp; Keywords:ring, fin, surface

**C. DOCUMENTS CONSIDERED TO BE RELEVANT**

Category*	Citation of document, with indication, where appropriate, of the relevant passages	Relevant to claim No.
Y	US 2008-0069951 A1 (CHACIN, JUAN et al.) 20 March 2008 See paragraphs [4], [69], [73] and figures 7, 9A, 13	1-13
Y	US 05938850 A (ARAMI, JUNICHI et al.) 17 August 1999 See column 10, lines 19-34 and figure 2	1-13
A	US 2008-0092818 A1 (FINK, STEVEN T. et al.) 24 April 2008 See abstract and figure 1	1-13
A	US 2010-0243608 A1 (KOSHIMIZU, CHISHIO) 30 September 2010 See abstract and figures 1, 2	1-13

 Further documents are listed in the continuation of Box C. See patent family annex.

\* Special categories of cited documents:

"A" document defining the general state of the art which is not considered to be of particular relevance

"E" earlier application or patent but published on or after the international filing date

"L" document which may throw doubts on priority claim(s) or which is cited to establish the publication date of citation or other special reason (as specified)

"O" document referring to an oral disclosure, use, exhibition or other means

"P" document published prior to the international filing date but later than the priority date claimed

"T" later document published after the international filing date or priority date and not in conflict with the application but cited to understand the principle or theory underlying the invention

"X" document of particular relevance; the claimed invention cannot be considered novel or cannot be considered to involve an inventive step when the document is taken alone

"Y" document of particular relevance; the claimed invention cannot be considered to involve an inventive step when the document is combined with one or more other such documents, such combination being obvious to a person skilled in the art

"&amp;" document member of the same patent family

Date of the actual completion of the international search

30 NOVEMBER 2012 (30.11.2012)

Date of mailing of the international search report

**03 DECEMBER 2012 (03.12.2012)**

Name and mailing address of the ISA/KR

Korean Intellectual Property Office  
189 Cheongsa-ro, Seo-gu, Daejeon Metropolitan  
City, 302-701, Republic of Korea

Facsimile No. 82-42-472-7140

Authorized officer

PAEK, Jin Wook

Telephone No. 82-42-481-8435



**INTERNATIONAL SEARCH REPORT**

Information on patent family members

International application No.

**PCT/US2012/025818**

Patent document cited in search report	Publication date	Patent family member(s)	Publication date
US 2008-0069951 A1	20.03.2008	JP 2008-072122 A KR 10-0938299 B1 KR 2008-0025332A KR 2009-0117681A TW 200913108 A US 2008-0066684 A1 WO 2009-045947 A1	27.03.2008 22.01.2010 20.03.2008 12.11.2009 16.03.2009 20.03.2008 09.04.2009
US 05938850 A	17.08.1999	JP 03-430277 B2 JP 09-050965 A JP 3430277 B2 KR 10-0403078 B1	23.05.2003 18.02.1997 28.07.2003 26.03.2004
US 2008-0092818 A1	24.04.2008	US 2004-0115947 A1 US 7347901 B2 US 7850782 B2 US 8092602 B2	17.06.2004 25.03.2008 14.12.2010 10.01.2012
US 2010-0243608 A1	30.09.2010	CN 101853765 A JP 2010-238980 A KR 2010-0109497A TW 201119525 A	06.10.2010 21.10.2010 08.10.2010 01.06.2011