

(19) World Intellectual Property
Organization
International Bureau



(43) International Publication Date
12 December 2002 (12.12.2002)

PCT

(10) International Publication Number
WO 2002/100005 A3

(51) International Patent Classification⁷: **H04B 7/26**

(21) International Application Number:
PCT/IL2002/000436

(22) International Filing Date: 4 June 2002 (04.06.2002)

(25) Filing Language: English

(26) Publication Language: English

(30) Priority Data:
09/875,033 7 June 2001 (07.06.2001) US

(71) Applicant: **D.S.P.C. TECHNOLOGIES LTD.** [IL/IL];
Azorim Park, Derech Em Hamoshavot 94, 49527 Petach
Tikva (IL).

(72) Inventor: **FOGEL, Eliezer**; Ben-Yehuda 61A, 46403
Herzlia (IL).

(74) Agents: **EITAN, PEARL, LATZER & CO-
HEN-ZEDEK** et al.; Gav Yam Center 2, Shenkar
Street 7, 46725 Herzlia (IL).

(81) Designated States (*national*): AE, AG, AL, AM, AT, AU, AZ, BA, BB, BG, BR, BY, BZ, CA, CH, CN, CO, CR, CU, CZ, DE, DK, DM, DZ, EC, EE, ES, FI, GB, GD, GE, GH, GM, HR, HU, ID, IL, IN, IS, JP, KE, KG, KP, KR, KZ, LC, LK, LR, LS, LT, LU, LV, MA, MD, MG, MK, MN, MW, MX, MZ, NO, NZ, OM, PH, PL, PT, RO, RU, SD, SE, SG, SI, SK, SL, TJ, TM, TN, TR, TT, TZ, UA, UG, UZ, VN, YU, ZA, ZM, ZW.

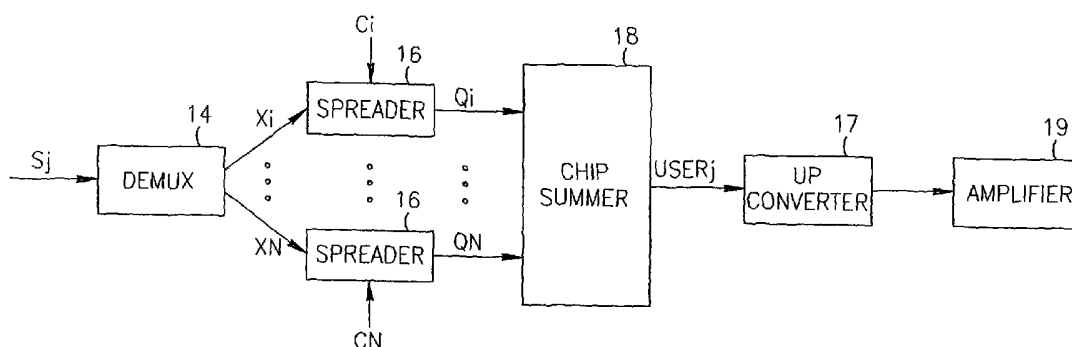
(84) Designated States (*regional*): ARIPO patent (GH, GM, KE, LS, MW, MZ, SD, SL, SZ, TZ, UG, ZM, ZW), Eurasian patent (AM, AZ, BY, KG, KZ, MD, RU, TJ, TM), European patent (AT, BE, CH, CY, DE, DK, ES, FI, FR, GB, GR, IE, IT, LU, MC, NL, PT, SE, TR), OAPI patent (BF, BJ, CF, CG, CI, CM, GA, GN, GQ, GW, ML, MR, NE, SN, TD, TG).

Published:
— with international search report

(88) Date of publication of the international search report:
18 March 2004

For two-letter codes and other abbreviations, refer to the "Guidance Notes on Codes and Abbreviations" appearing at the beginning of each regular issue of the PCT Gazette.

(54) Title: A METHOD OF CELLULAR COMMUNICATION



(57) Abstract: A method for cellular communication which transmits code division multiple access (CDMA) signals of one user during a time slot allotted to that user.



WO 2002/100005 A3

INTERNATIONAL SEARCH REPORT

International Patent No
PCT/IL 02/00436

A. CLASSIFICATION OF SUBJECT MATTER
IPC 7 H04B7/26

According to International Patent Classification (IPC) or to both national classification and IPC

B. FIELDS SEARCHED

Minimum documentation searched (classification system followed by classification symbols)
IPC 7 H04B

Documentation searched other than minimum documentation to the extent that such documents are included in the fields searched

Electronic data base consulted during the international search (name of data base and, where practical, search terms used)

EPO-Internal

C. DOCUMENTS CONSIDERED TO BE RELEVANT

Category °	Citation of document, with indication, where appropriate, of the relevant passages	Relevant to claim No.
X	KAROL M J ET AL: "TIME-FREQUENCY-CODE SLICING: EFFICIENTLY ALLOCATING THE COMMUNICATIONS SPECTRUM TO MULTIRATE USERS" IEEE TRANSACTIONS ON VEHICULAR TECHNOLOGY, IEEE INC. NEW YORK, US, vol. 46, no. 4, 1 November 1997 (1997-11-01), pages 818-826, XP000754819 ISSN: 0018-9545 the whole document	1-11
X	DE 195 49 148 A (SIEMENS AG) 3 July 1997 (1997-07-03) the whole document	1-11
	--- -/-- ---	

Further documents are listed in the continuation of box C.

Patent family members are listed in annex.

° Special categories of cited documents :

- *A* document defining the general state of the art which is not considered to be of particular relevance
- *E* earlier document but published on or after the international filing date
- *L* document which may throw doubts on priority claim(s) or which is cited to establish the publication date of another citation or other special reason (as specified)
- *O* document referring to an oral disclosure, use, exhibition or other means
- *P* document published prior to the international filing date but later than the priority date claimed

- *T* later document published after the international filing date or priority date and not in conflict with the application but cited to understand the principle or theory underlying the invention
- *X* document of particular relevance; the claimed invention cannot be considered novel or cannot be considered to involve an inventive step when the document is taken alone
- *Y* document of particular relevance; the claimed invention cannot be considered to involve an inventive step when the document is combined with one or more other such documents, such combination being obvious to a person skilled in the art.
- *&* document member of the same patent family

Date of the actual completion of the international search

Date of mailing of the international search report

3 June 2003

13/06/2003

Name and mailing address of the ISA
European Patent Office, P.B. 5818 Patentlaan 2
NL - 2280 HV Rijswijk
Tel. (+31-70) 340-2040, Tx. 31 651 epo nl,
Fax: (+31-70) 340-3016

Authorized officer

Kampouris, A

INTERNATIONAL SEARCH REPORT

International Application No
PCT/IL 02/00436

C.(Continuation) DOCUMENTS CONSIDERED TO BE RELEVANT		
Category °	Citation of document, with indication, where appropriate, of the relevant passages	Relevant to claim No.
X	EP 0 600 713 A (NOKIA MOBILE PHONES LTD ;NOKIA TELECOMMUNICATIONS OY (FI)) 8 June 1994 (1994-06-08) the whole document -----	1-11

INTERNATIONAL SEARCH REPORT

Information on patent family members

International Application No

PCT/IL 02/00436

Patent document cited in search report	Publication date	Patent family member(s)	Publication date	
DE 19549148	A	03-07-1997	DE 19549148 A1	03-07-1997
			AU 1869897 A	28-07-1997
			WO 9724892 A2	10-07-1997
			EP 0951788 A2	27-10-1999

EP 0600713	A	08-06-1994	FI 925472 A	02-06-1994
			AU 676856 B2	27-03-1997
			AU 5210493 A	16-06-1994
			CN 1094204 A ,B	26-10-1994
			EP 0600713 A2	08-06-1994
			JP 6318927 A	15-11-1994
			US 5533013 A	02-07-1996
