

(19) World Intellectual Property Organization
International Bureau



(43) International Publication Date
15 November 2007 (15.11.2007)

PCT

(10) International Publication Number
WO 2007/130662 A2

(51) International Patent Classification:
A63H 7/02 (2006.01)

(21) International Application Number:
PCT/US2007/010979

(22) International Filing Date: 4 May 2007 (04.05.2007)

(25) Filing Language: English

(26) Publication Language: English

(30) Priority Data:
60/797,778 4 May 2006 (04.05.2006) US
60/915,899 3 May 2007 (03.05.2007) US

(71) Applicant (for all designated States except US): **MATTEL, INC.** [US/US]; 333 Continental Boulevard, El Segundo, CA 90245-5012 (US).

(72) Inventor; and

(75) Inventor/Applicant (for US only): **WILLETT, William** [US/US]; 5 Birchwood Street, Irvine, CA 92618 (US).

(74) Agents: **JAMIESON, John** et al.; Akin Gump Strauss Hauer & Feld LLP, One Commerce Square, Suite 2200, 2005 Market Street, Philadelphia, PA 19103 (US).

(81) Designated States (unless otherwise indicated, for every kind of national protection available): AE, AG, AL, AM, AT, AU, AZ, BA, BB, BG, BH, BR, BW, BY, BZ, CA, CH, CN, CO, CR, CU, CZ, DE, DK, DM, DZ, EC, EE, EG, ES, FI, GB, GD, GE, GH, GM, GT, HN, HR, HU, ID, IL, IN, IS, JP, KE, KG, KM, KN, KP, KR, KZ, LA, LC, LK, LR, LS, LT, LU, LY, MA, MD, ME, MG, MK, MN, MW, MX, MY, MZ, NA, NG, NI, NO, NZ, OM, PG, PH, PL, PT, RO, RS, RU, SC, SD, SE, SG, SK, SL, SM, SV, SY, TJ, TM, TN, TR, TT, TZ, UA, UG, US, UZ, VC, VN, ZA, ZM, ZW.

(84) Designated States (unless otherwise indicated, for every kind of regional protection available): ARIPO (BW, GH, GM, KE, LS, MW, MZ, NA, SD, SL, SZ, TZ, UG, ZM, ZW), Eurasian (AM, AZ, BY, KG, KZ, MD, RU, TJ, TM), European (AT, BE, BG, CH, CY, CZ, DE, DK, EE, ES, FI, FR, GB, GR, HU, IE, IS, IT, LT, LU, LV, MC, MT, NL, PL, PT, RO, SE, SI, SK, TR), OAPI (BF, BJ, CF, CG, CI, CM, GA, GN, GQ, GW, ML, MR, NE, SN, TD, TG).

Published:

— without international search report and to be republished upon receipt of that report

For two-letter codes and other abbreviations, refer to the "Guidance Notes on Codes and Abbreviations" appearing at the beginning of each regular issue of the PCT Gazette.

(54) Title: MOTORIZED TOY CREATURE

(57) Abstract: A multi-directional radio controlled toy, having a main vehicle with housing configured as a creature-like head containing propulsion and control components including two drive motors with controller, drive wheels coupled with the motors, power supply and wireless signal receiver coupled with the controller. An unpowered body portion trails the main vehicle and body members movably connected together by articulated couplings to permit body articulation throughout substantially the entire body portion of the creature-like device. A jaw moving mechanism in the main vehicle is powered by the motors to raise an upper jaw portion of the head until tripped by contact of a trigger at the front end of the main vehicle.



WO 2007/130662 A2

TITLE OF THE INVENTION

[0001] Motorized Toy Creature

CROSS-REFERENCE TO RELATED APPLICATIONS

[0002] This patent application claims priority to U.S. Provisional Patent Application No. 60/797,778, filed May 4, 2006, entitled "Remote Controlled Toy Creature", and to U.S. Provisional Patent Application No. 60/915,899, filed May 3, 2007, entitled "Motorized Toy Snake", the disclosures of which are incorporated by reference herein in their entireties.

BACKGROUND OF THE INVENTION

[0003] The present invention relates generally to toy vehicles and, more specifically, to a motorized toy vehicle having the appearance of a stylized, multi-sectioned snake. It further relates to toy vehicles that have an additional action component beyond movement.

SUMMARY OF THE INVENTION

[0004] In one aspect, the invention is a radio controlled toy as shown and described herein.

[0005] In another aspect, the invention is a motorized, multi-segmented, articulated toy snake comprising: a chassis segment having a front end and a rear end, a top side and an opposing bottom side, at least first and second ground contacting drive wheels mounted side-by-side on the bottom side between the front end and the rear end, the chassis segment including an outer housing with a snake-head-like appearance, at least a first electric motor operably connected to at least the first drive wheel, a second electric motor operably connected to at least the second drive wheel, an electric power supply and an electric controller selectively operably connecting at least the first electric motor and the second motor with the electric power supply, an upper jaw member or portion of the outer housing being hinged to the chassis or a remainder of the outer housing; and a multi-segmented body pivotally coupled to the rear end of the chassis, the body including at least a plurality of individual body segments connected end to end, a first body segment being articulated to the rear end of the chassis and a front end of each other body segment of the plurality being articulated to a rear end of a proceeding body segment of the

plurality, each body segment including a carriage, each carriage a top side, a bottom side and first and second opposing lateral sides extending between the front and rear ends, each carriage further including at least one ground contacting support wheel on the bottom side, the body further including at least one follower segment without a ground contacting support wheel pivotally connected to the rear end of a final one of the plurality of body segments.

[0006] In yet another aspect the invention is a motorized biting toy comprising: a chassis with an outer housing and a movable jaw member pivotally coupled with one of the chassis and outer housing; at least first and second ground contacting wheels rotatably supported from the chassis; motor means operably coupled with at least the first and second least first and second ground contacting wheels to drive the wheels and thereby maneuver the toy vehicle; a jaw moving mechanism powered by the motor means to raise the movable jaw member; and a trigger extending from the chassis and outer housing and operably coupled with the jaw moving mechanism to release the movable jaw member from a raised position.

BRIEF DESCRIPTION OF THE SEVERAL VIEWS OF PHOTOGRAPHS/DRAWINGS

[0007] The foregoing summary as well as the following detailed description of the preferred embodiment of the invention will be better understood when read in conjunction with the appended drawings. It should be understood, however, that the invention is not limited to the precise arrangements and instrumentalities shown herein. The components in the drawings are not necessarily to scale, emphasis instead being placed upon clearly illustrating the principles of the present invention. Moreover, in the drawings, like reference numerals designate corresponding parts throughout the several views.

[0008] The invention may take physical form in certain parts and arrangement of parts. For a more complete understanding of the present invention, and the advantages thereof, reference is now made to the following description taken in conjunction with the accompanying photographs/drawings, in which:

[0009] Fig. 1 is a perspective view of the upper and left side of a motorized, articulated, segmented toy snake in accordance with one embodiment of the present invention;

[0010] Fig. 2 is a top view of the toy snake of Fig. 1 extended out straight; and

[0011] Fig. 3 depicts a perspective view of the front, top and left side of a snake-head-like outer housing covering a chassis of the toy snake;

[0012] Fig. 4 is a left side elevation of the chassis of the toy snake of the previous figures with the snake-head-like outer housing removed;

[0013] Fig. 5 is a top plan view of the chassis of Fig. 4; and

[0014] Fig. 6 is a diagrammatic schematic of the primary electrical components of the toy snake of the previous figures.

DETAILED DESCRIPTION OF THE INVENTION

[0015] In this respect, before explaining at least one embodiment of the invention in detail, it is to be understood that the invention is not limited in its application to the details of construction and to the arrangements of the components set forth in the following description or illustrated in the drawings. The invention is capable of other embodiments and of being practiced and carried out in various ways. Also, it is to be understood that the phraseology and terminology employed herein are for the purpose of description and should not be regarded as limiting.

[0016] As such, those skilled in the art will appreciate that the conception, upon which this disclosure is based, may readily be utilized as a basis for the designing of other structures, methods and systems for carrying out the several purposes of the present invention. It is important, therefore, that the claims be regarded as including such equivalent constructions.

[0017] Briefly, the present invention provides a motorized toy, in particular, a creature-like vehicle device (e.g., an articulable segmented snake) comprising a creature-head-like housing portion for containing the drive and control components preferably including at least a motor controller, a plurality of drive/support wheels, a power supply, a radio signal receiver and at least two drive motors and accompanying gear mechanisms for providing differential drive control capability. The body portion of the creature-like device comprises a plurality of body members connected together end to end in such a fashion as to permit articulation between the head and the body and between each of the body members throughout substantially the entire body portion of the creature-like device. Each body member comprises at least one rotatable wheel for permitting mobility across a surface. A hand held radio signal transmitter is also provided for remote control capability, thereby enabling the toy to become dynamic.

[0018] The following discussion is presented to enable a person skilled in the art to make and use the invention. The general principles described herein may be applied to embodiments and applications other than those detailed below without departing from the spirit and scope of the

present invention as defined by the appended claims. The present invention is not intended to be limited to the embodiments shown, but is to be accorded the widest scope consistent with the principles and features disclosed herein.

[0019] Certain terminology is used in the following description for convenience only and is not limiting. The words “right,” “left,” “lower” and “upper” designate directions in the photographs to which reference is made. The words “inwardly” and “outwardly” refer to directions toward and away from, respectively, the geometric center of the toy vehicle and designated parts thereof. The terminology includes the words specifically mentioned, derivatives thereof and words of similar import. The terms “horizontal” and “vertical” relate to the toy vehicle oriented with all of its wheels in contact with the ground. Additionally, the word “a” as used in the specification means “at least one.”

[0020] Referring now to the photographs/drawings in detail, wherein like numerals indicate like elements throughout, there is shown in Figs. 1-5 a first embodiment of a motorized, multi-segmented, articulated toy creature vehicle, in this case configured as a snake vehicle (or simply “toy snake”) indicated generally at 10. Toy snake 10 includes a head segment (or simply “head”) indicated generally at 12 and a multi-segmented body indicated generally at 40 that is pivotally coupled to one end, a rear end 15, of the head 12. Head 12 also has a front end 14, a top side 16 and an opposing bottom side 17. The head 12 includes a chassis 18 supporting an outer housing indicated generally at 20 with a snake-head-like appearance. The outer housing includes a movable upper jaw member or portion indicated generally at 20a pivotally coupled with the chassis 18 (or remainder of the outer housing) so as to define a mouth indicated generally at 30 with the remainder of the outer housing 20. The mouth 30 is capable of imitating a “striking” open position (not shown in the figures) by means of the upward pivot of the upper jaw portion 20a on the remainder of the outer housing 20 and chassis 18 and is triggered to a closed position by way a mechanical switch as will be described with respect to Figs. 4-5 but including a movable actuator or trigger 38 seen at the lower front end of the head 12. Optionally, light elements such as LED’s 25, can be provided on the top of the outer housing 20 in position to mimic the appearance of glowing eyes.

[0021] The power, propulsion and control elements of the toy snake, are all housed in the head section 12 and are shown schematically in Fig. 6. The toy snake 10 is preferably

configured for wireless remote control using a wireless remote control transmitter indicated generally at 105. Preferably movement of the toy snake 10 is initiated and controlled via wireless, preferably radio signals from the wireless remote control transmitter 105. However, other types of controllers may be used including other types of wireless controllers (*e.g.*, infrared, ultrasonic and/or voice-activated controllers) and even wired controllers and the like. The toy snake 10 is provided with a conventional circuit board 101 mounted control circuitry 100. The control circuitry 100 includes a controller 102 having a wireless signal receiver 102b and a microprocessor 102a plus any necessary related elements such as memory. The control circuitry 100 further preferably includes a first motor control circuit 24a and a second motor control circuit 28a for independently reversibly controlling a left side reversible electric motor 24 and a right side reversible electric motor 28. The motors 24, 28 are controlled by the microprocessor 102a through motor control subcircuits 24a, 28a which, under control of microprocessor 102a, selectively operably connects each motor 24, 28 with an electric power supply 62 (such as one or more disposable or rechargeable batteries 64). The microprocessor 102a can also selectively supply power to the light elements 25 and to any other electrical accessory items (such as other lights or a sound speaker).

[0022] Referring to Figs. 4 and 5, there are shown in these figures the motive components of the toy snake 10. The first electric motor 24 is operably connected to at least the first (left side) ground contacting drive wheel 22 through a first drive train indicated generally at 23 while the second electric motor 28 is operably connected to at least the second (right side) ground contacting drive wheel 26 through a second, preferably mirror image drive train indicated generally at 27. Since the depicted drive trains 23, 27 are mirror images, only 23 is addressed. Train 23 is a gear train that includes a worm 23a driven by the motor 24 and driving a worm gear 23b which drives a wheel gear 23c fixed with wheel 22 to rotate the wheel with rotation of the gear 23c. The remaining mechanical components in Figs. 6 and 7 are part of a jaw moving mechanism indicated generally at 31, which is devoted to raising and then abruptly releasing and dropping the upper jaw portion 20a.

[0023] The jaw moving mechanism 31 includes an idler gear 32 and a swing gear 33 on either side of a rack member 34. Each idler gear 32 is driven by a separate one of the motors 24, 28 through its worm 23a. Each idler gear 32 is meshed with swing gear 33, which is free to

swing back and forth in a slot 33a when rotated by gear 32. The other elements of the jaw moving mechanism 31 include a rack member 34 mounted for linear movement in forward and reverse directions between the swing gears 33, a return spring 35, a cam arm 36, a latch 37 and the actuator/trigger 38. The rack member 34 includes a forward end with opposing racks 34a facing swing gears 33. When both motors 24, 28 are driven in reverse, each swing gear 33 is moved in its slot 33a towards the rack member 34 and into driving engagement with the adjoining rack 34a. Both motors must be driven in reverse at the same time to trap the rack member 34 between both swing gears in order to provide driving engagement between the swing gear 33 and the rack 34a. If only one motor is driven in reverse, the rack member will displace away from the driving swing gear and will not be advanced. When both motors are driven in reverse, the swing gears 33 engaging the racks 34a on either side of the member 34 drive the member 34 in a forward direction against the bias of spring 35 which secures an innermost end 34b of the member 34 most proximal to the spring 35 with the chassis 18. The rack member 34 has a forward extending arm 34c which has been cut away in Fig. 5 to reveal the underlying latch 37. The bottom side of the arm 34c has a cut-out forming a catch 34d which will be engaged by the latch portion 37a of latch member 37. Latch portion 37a is located at the top of a slide frame 37b which connects the latch portion 37a with a trip member portion 37c at the bottom of the frame 37b. Latch member 37 is biased into the raised position shown in Fig. 6 by an underlying bias member such as a spring 37d (mostly hidden in Fig. 5) beneath the slide frame 37b. When the rack member 34 is driven forward by swing gears 33, the leading edge of arm 34c cams over the sloping face of latch portion 37a until latch portion 37a engages catch 34d at which time, the rack member 34 is held in a forward position against the bias of spring 35. In moving forward, the rack member 34 moves a cam arm 36 forward and/or upward against the upper jaw portion 20a, pivoting that portion 20a upward. The cam arm 36 can be moved linearly forward to abut and then run along an appropriately sloping surface on the under side of the upper jaw member 20a or can be pivotally coupled with the upper jaw member 20a so that as the rack member 34 moves forward, the arm swings rearward and up raising the upper jaw member. Neither are depicted.

[0024] The jaw moving mechanism 31 is tripped by firm contact with the actuator/trigger 38. The actuator/trigger 38 is movably mounted on the chassis 18 for sliding and/or pivoting

movement. When forced rearward, the rear or innermost end of actuator/trigger 38 strikes the trip member portion 37c biasing it downward and releasing the latch portion 37a from the catch 34d. The actuator/trigger 38 can be biased back to its original forward position by the same bias member used to keep the latch member 37 elevated, or by its own bias member.

[0025] The at least two drive motors 24, 28 utilized in the present embodiment can be 180 size brushed DC (“BDC”) electric motors. However, it will be apparent to one skilled in the art that various types and sizes of motors can be utilized without departing from the scope and spirit of the invention.

[0026] The at least two drive motors 24, 28 in the housing 20 permit a “tank-like” differential drive capability for effectuating a sine-wave slithering motion as the toy snake 10 moves. For example, when a motor control toggle 105a, 105b located on the hand-held remote transmitter/controller 105 is deflected from a generally central, nominal resting or neutral position, the toy snake 10 is caused to move by way of the drive motor to wheel connection relative to the direction deflected on the directional control toggle. Specifically, when the left directional control toggle 105a is pivoted forward or backward, the drive motor 24 connected to left side drive wheel 22 is caused to rotate the wheel 22 in the desired direction (i.e., forward or backward). The drive motor 28 connected to a right side drive wheel 26 similarly causes the right side wheel 26 to rotate in the desired direction depending on the movement of the directional control toggle 105b.

[0027] The body 40 of the toy snake 10 comprises a plurality of body segments or members 41 connected together end-to-end in such a fashion as to permit body articulation throughout substantially the entire body 40 of the toy snake 10. The body members 41 are constructed of, but not limited to, a plastic type material of a design as shown in the accompanying figures. However, one skilled in the art will understand that any variety of materials can be used to construct the body members 41 and the design can take on any desired appearance without departing from the scope and spirit of the present invention. In particular, each body segment 41 includes a carriage 42. Each carriage 42 and body member 41 has a front end 43, a rear end 44, a top side 46, a bottom side 37 and opposing lateral sides 48, 49 extending between the front and rear ends. Each body member 41 includes at least one laterally extending outrigger, preferably generally planar wing 51, 52, extending generally laterally outward from each lateral side 48, 49,

respectively of the carriage 42 and segment 41. Most body segments 41 (all but one in this embodiment) also has a generally planar, upwardly extending fin 54 laterally centered on the top side 46 of the carriage 42. Wings 51, 52 are decorative but also provide balance to each body section 41 and can prevent each body section from pitching sideways if not already prevented by the limited movement provided by the articulated couplings 45.

[0028] Each body member 41 comprises at least one and preferably only one centrally located, rotatable, ground contacting wheel 50 for permitting mobility across a surface "S" supporting the toy snake 10. The plurality of body members 41 are preferably articulatedly coupled to each other, end-to-end, by way of an articulated coupling indicated generally at 45. While the articulated coupling may be of any of a variety of configurations, a simple and inexpensive coupling is provided by a generally vertical pin in one of the body sections passed through an enlarged vertical hole in an adjoining body section sufficiently enlarged so that some vertical pitching movement is permitted between linked, adjoining body members in addition to side to side yaw movement. Thus, the body members 41 can be identical with a hinge pin at one end and a pin receiving hole at the other end. Furthermore the front end of the first body member 41 of the body 40, which is most proximal to the head segment 12, can be coupled with the rear end of the head segment 12 by the same type of articulated coupling. When the plurality of body members 41 are connected to each other and the chassis 12 by way of the articulated couplings, the toy snake 10 has the appearance, during operational movement by way of radio control operations, of an articulating snake as it slithers quickly across the ground. Preferably the body 40 includes at least one trailer segment (or "trailer") 56 at the end of the body 40 most distal to the head and pivotally coupled to the last body member 41 of the body 40. More than one trailer can be provided pivotally coupled to a preceding trailer. Each trailer would be characterized by the lack of an underlying wheel which would inhibit the side to side movement of the trailer 56.

[0029] It will be understood by one skilled in the art that the toy snake 10 described herein by the present invention can be designed to mimic virtually any creature having virtually any plurality of designs without departing from the scope and spirit of the present invention.

[0030] Although the invention has been shown and described with respect to a certain preferred embodiment or embodiments, it is obvious that equivalent alterations and

modifications will occur to others skilled in the art upon the reading and understanding of this specification and the annexed drawings. In particular regard to the various functions performed by the above described components (assemblies, devices, circuits, etc.), the terms (including a reference to a "means") used to describe such components are intended to correspond, unless otherwise indicated, to any component which performs the specified function of the described component (i.e., that is functionally equivalent), even though not structurally equivalent to the disclosed structure which performs the function in the herein illustrated exemplary embodiments of the invention. In addition, while a particular feature of the invention may have been disclosed with respect to only one of several embodiments, such feature may be combined with one or more other features of the other embodiments as may be desired. Additionally, for the most part, details concerning particular chemical reactions, chemical properties, and the like, have been omitted inasmuch as such details are not considered necessary to obtain a complete understanding of the present invention, and are considered to be within the understanding of persons of ordinary skill in the relevant art.

[0031] It is therefore, contemplated that the claims will cover any such modifications or embodiments that fall within the true scope of the invention.

WHAT IS CLAIMED IS:

1. A radio controlled toy creature as shown and described herein.
2. A motorized, multi-segmented, articulated toy snake comprising:
 - a chassis segment having a front end and a rear end, a top side and an opposing bottom side, at least first and second ground contacting drive wheels mounted side-by-side on the bottom side between the front end and the rear end, the chassis segment including an outer housing with a snake-head-like appearance, at least a first electric motor operably connected to at least the first drive wheel, a second electric motor operably connected to at least the second drive wheel, an electric power supply and an electric controller selectively operably connecting at least the first electric motor and the second motor with the electric power supply, an upper jaw moving portion of the outer housing being hinged to one of the chassis and a remainder of the outer housing; and
 - a multi-segmented body pivotally coupled to the rear end of the chassis, the body including at least a plurality of individual body segments connected end to end, a first body segment being articulated to the rear end of the chassis and a front end of each other body segment of the plurality being articulated to a rear end of a proceeding body segment of the plurality, each body segment including a carriage, each carriage a top side, a bottom side and first and second opposing lateral sides extending between the front and rear ends, each carriage further including at least one ground contacting support wheel on the bottom side, the body further including at least one follower segment without a ground contacting support wheel pivotally connected to the rear end of a final one of the plurality of body segments.
3. The motorized, multi-segmented, articulated toy snake of claim wherein at least one body section includes a generally planar, upwardly extending fin laterally centered on the top side of the carriage and at least one generally planar wing extending generally laterally outward from each lateral side of the carriage.

4. A motorized biting toy comprising:
- a chassis with an outer housing and a movable jaw member pivotally coupled with one of the chassis and outer housing;
 - at least first and second ground contacting wheels rotatably supported from the chassis;
 - motor means operably coupled with at least the first and second least first and second ground contacting wheels to drive the wheels and thereby maneuver the toy vehicle;
 - a jaw moving mechanism powered by the motor means to raise the movable jaw member; and
 - a trigger extending from the chassis and outer housing and operably coupled with the jaw moving mechanism to release the movable jaw member from a raised position.

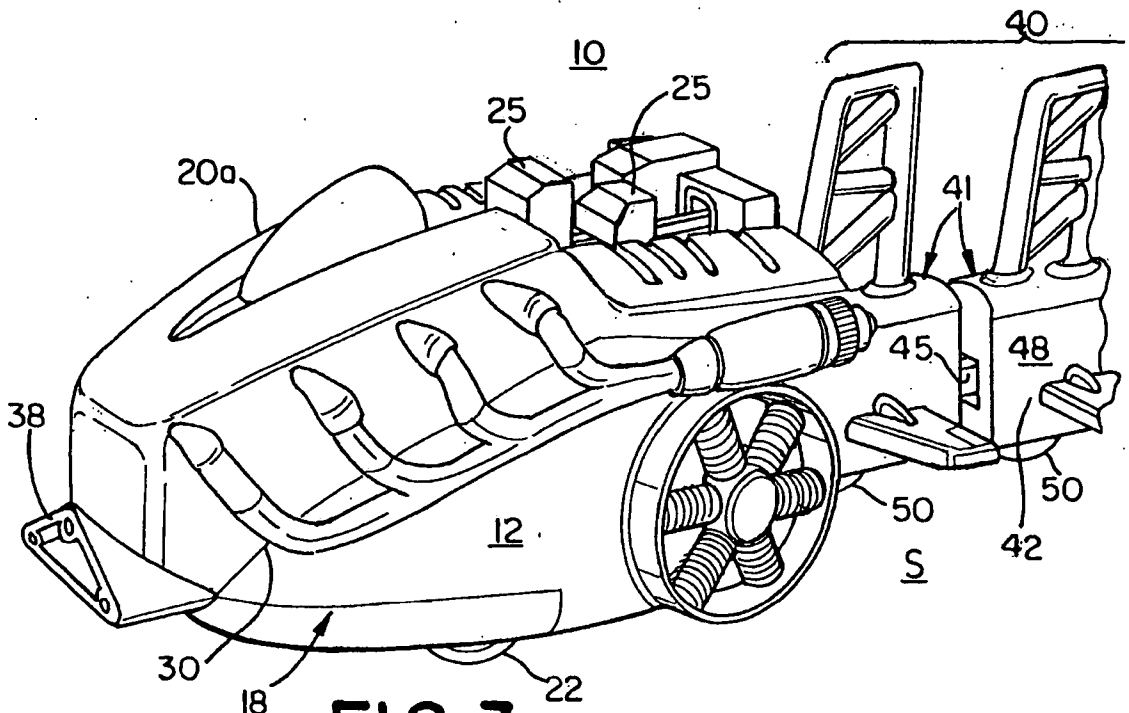


FIG. 3

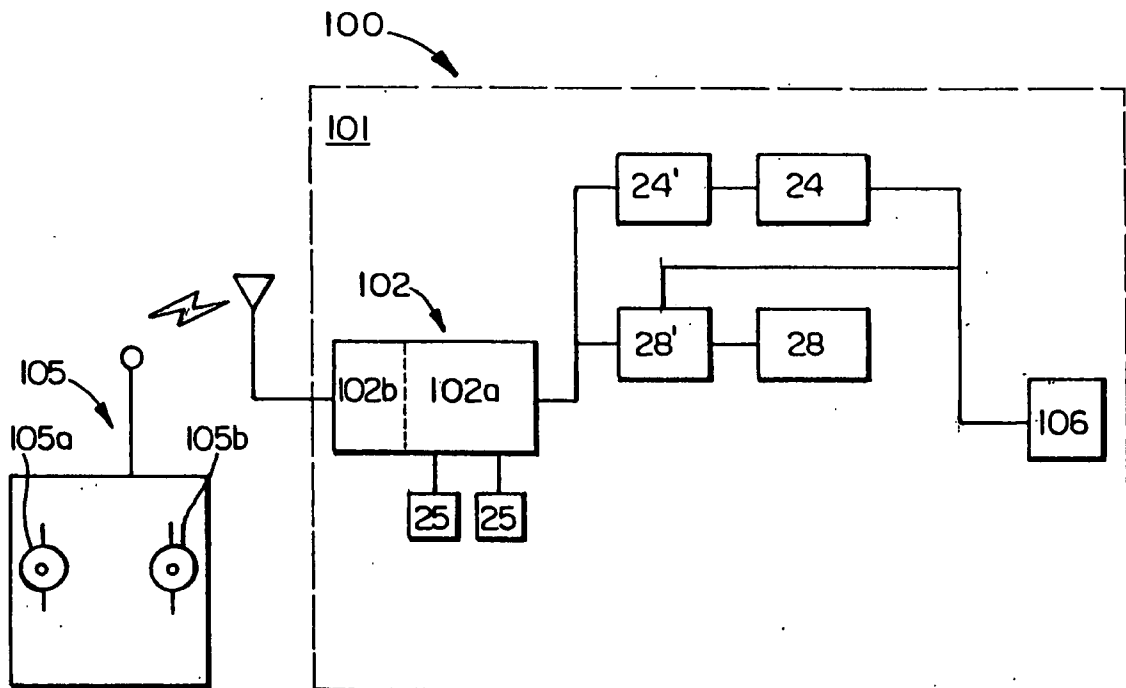


FIG. 6

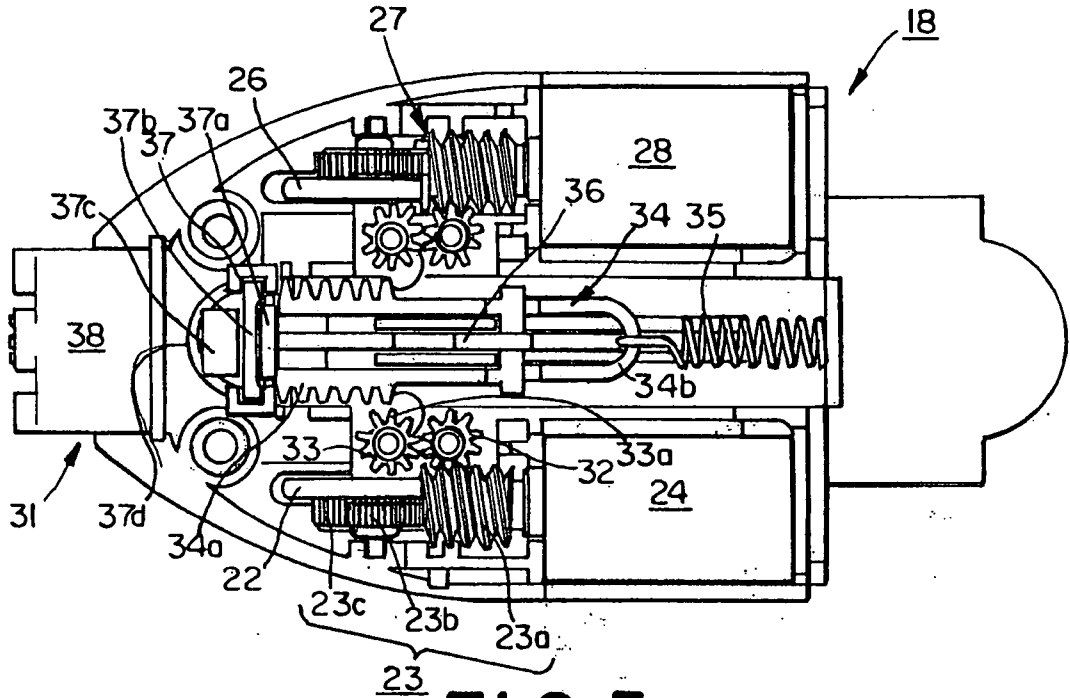


FIG. 5

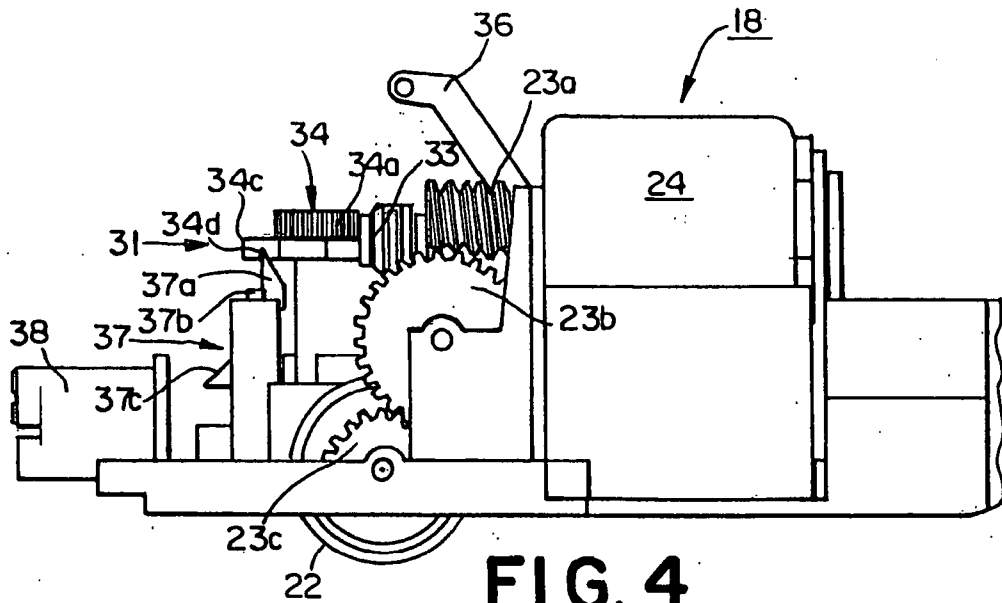


FIG. 4