



US00D439264S

(12) **United States Design Patent**
Omino

(10) **Patent No.:** **US D439,264 S**

(45) **Date of Patent:** **** Mar. 20, 2001**

(54) **CAMERA**

(75) **Inventor:** **Seiichi Omino, Kawasaki (JP)**

(73) **Assignee:** **Canon Kabushiki Kaisha, Tokyo (JP)**

(**) **Term:** **14 Years**

(21) **Appl. No.:** **29/126,100**

(22) **Filed:** **Jul. 11, 2000**

(30) **Foreign Application Priority Data**

Jan. 28, 2000 (JP) 12-007324

(51) **LOC (7) Cl.** **16-01**

(52) **U.S. Cl.** **D16/218; D16/202**

(58) **Field of Search** **D16/200-205,**
D16/208, 209, 217, 218; 348/373-376;
358/906, 909.1; 396/535-541

(56) **References Cited**

U.S. PATENT DOCUMENTS

- D. 386,775 * 11/1997 Shiotani et al. D16/218
- D. 401,604 * 11/1998 Ito et al. D16/218
- D. 407,731 * 4/1999 Morishita et al. D16/209

- D. 410,482 * 6/1999 Kawai D16/218
- D. 426,252 * 6/2000 Ito et al. D16/218
- D. 430,183 * 8/2000 Ito D16/202
- 3,524,393 * 8/1970 Greger et al. 396/539
- 4,456,931 * 6/1984 Toyoda et al. 358/906

* cited by examiner

Primary Examiner—Adir Aronovich

(74) *Attorney, Agent, or Firm*—Fitzpatrick, Cella, Harper & Scinto

(57) **CLAIM**

The ornamental design for a camera, as shown and described.

DESCRIPTION

FIG. 1 is a front view of a camera showing my new design; FIG. 2 is a rear view thereof; FIG. 3 is a top plan view thereof; FIG. 4 is a bottom plan view thereof; FIG. 5 is a left side view thereof; FIG. 6 is a right side view thereof; and, FIG. 7 is a perspective view thereof.

1 Claim, 4 Drawing Sheets

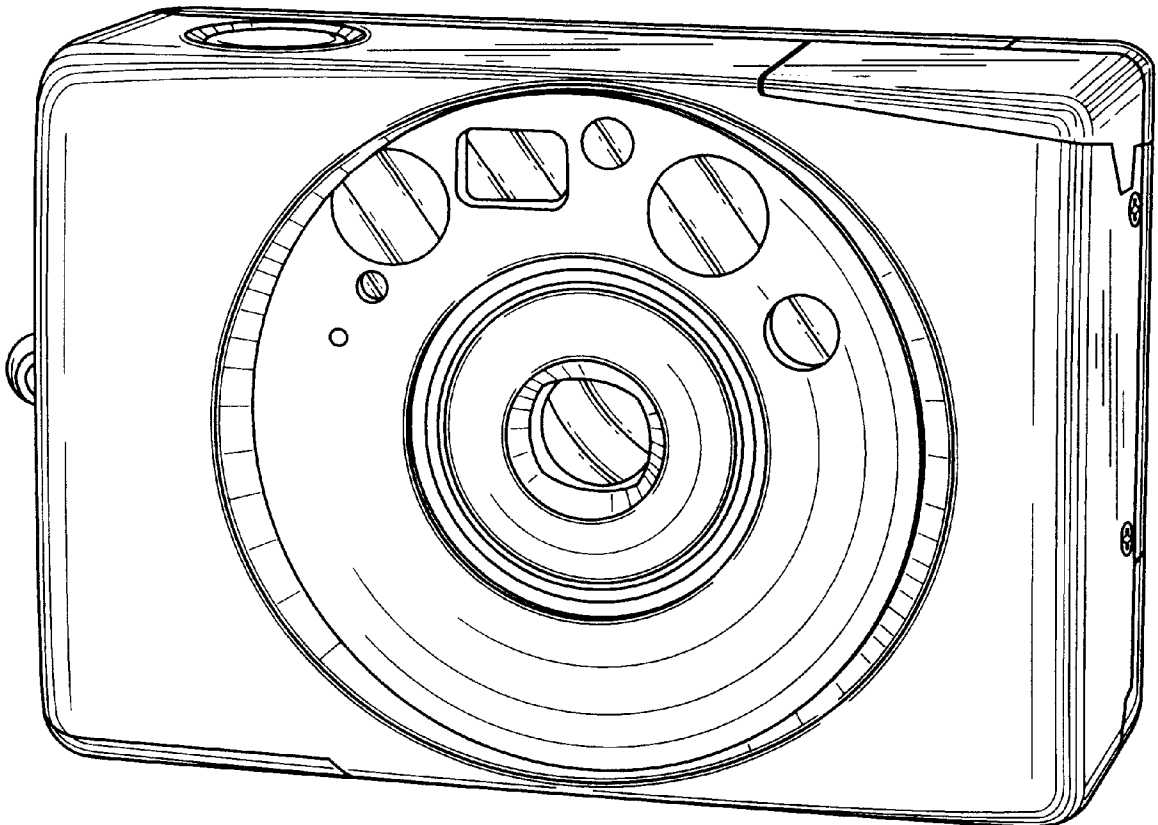


FIG. 1

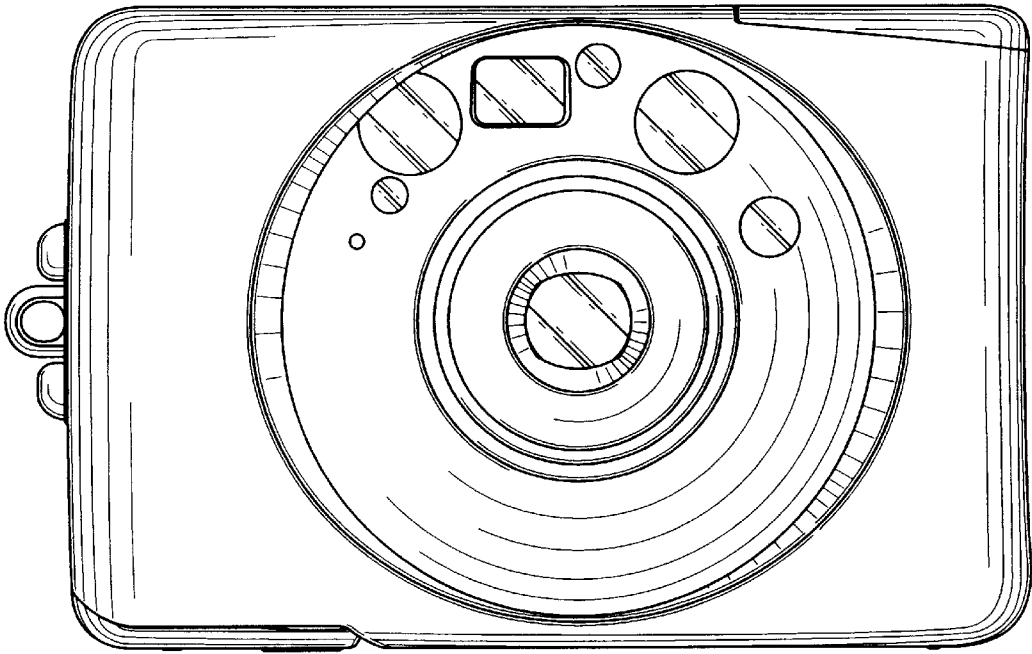


FIG. 2

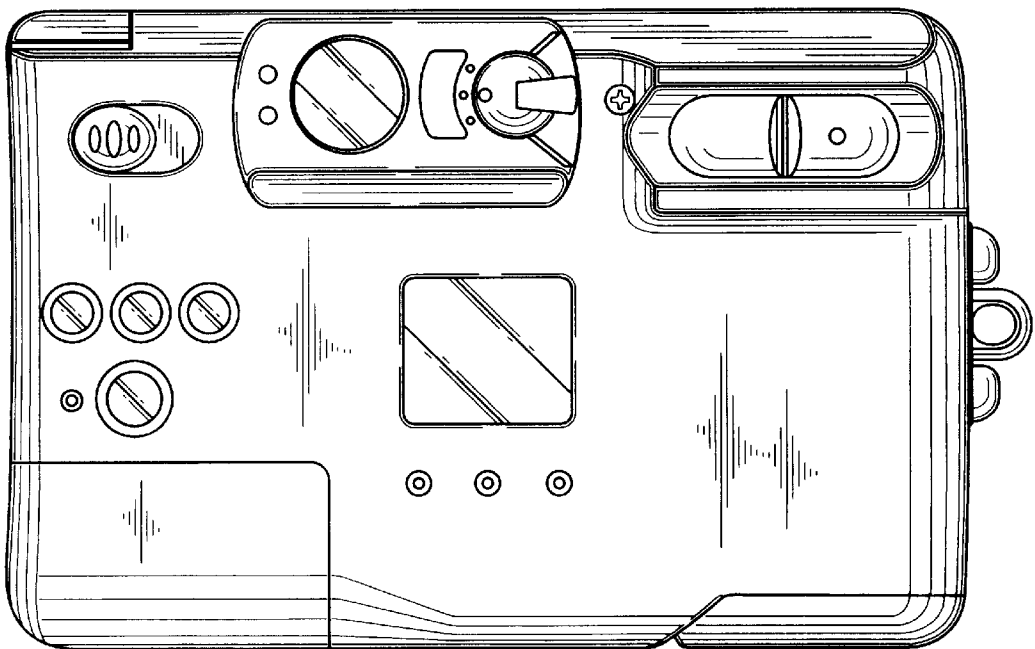


FIG. 3

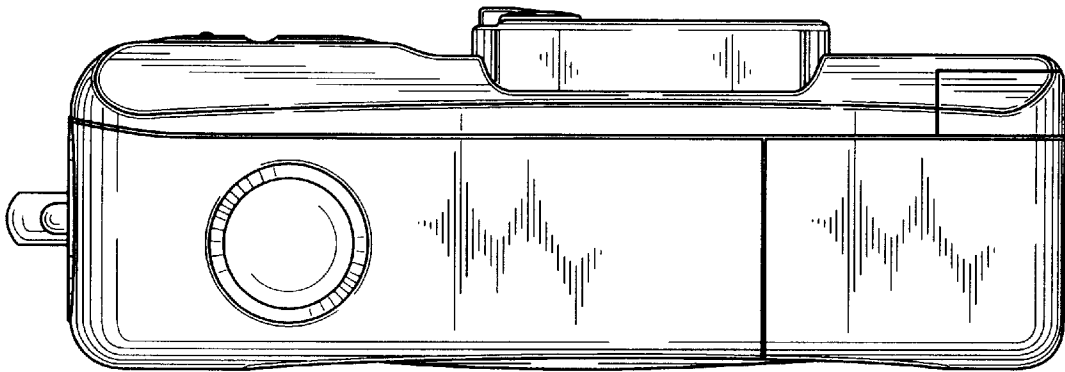


FIG. 4

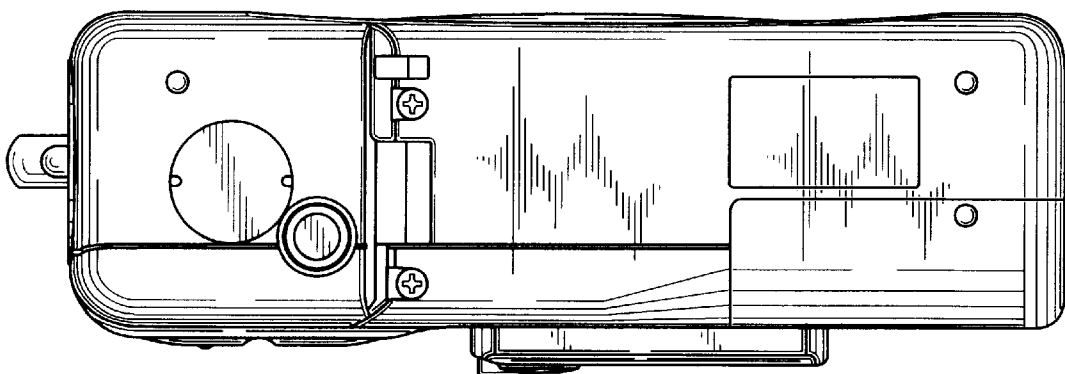


FIG. 5

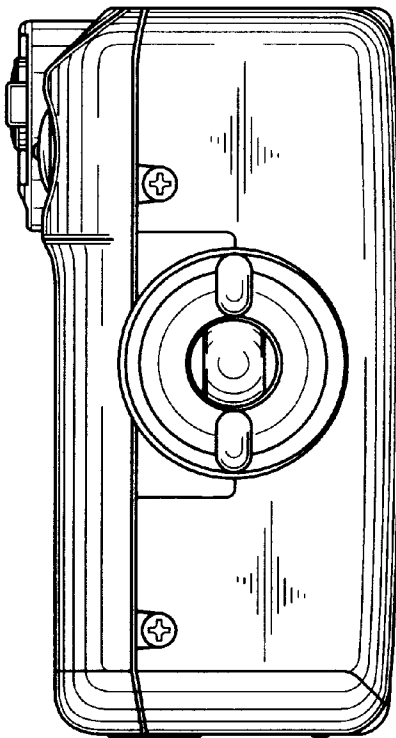


FIG. 6

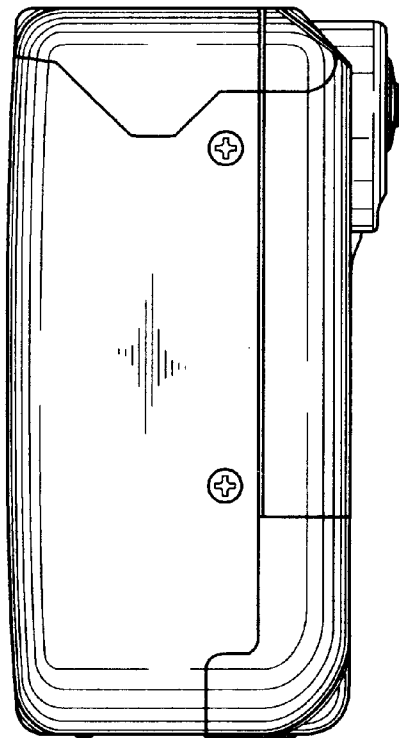
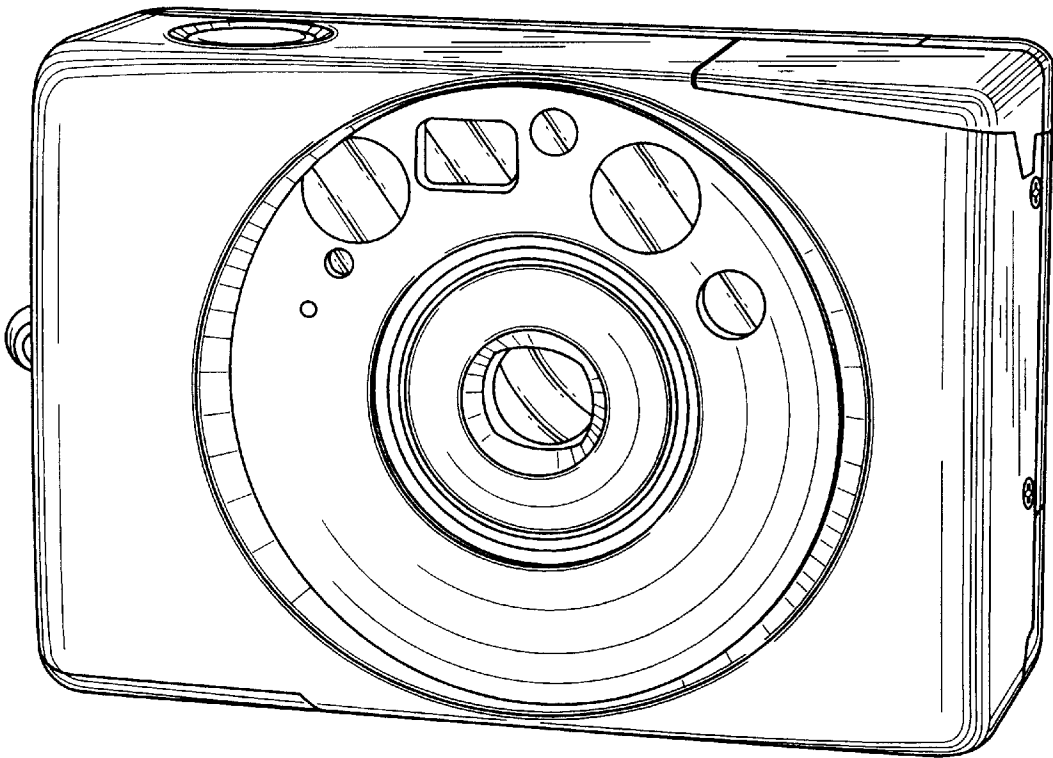


FIG. 7



UNITED STATES PATENT AND TRADEMARK OFFICE
CERTIFICATE OF CORRECTION

PATENT NO. : Des. 439,264 S
DATED : March 20, 2001
INVENTOR(S) : Seiichi Omino

Page 1 of 1

It is certified that error appears in the above-identified patent and that said Letters Patent is hereby corrected as shown below:

Title page,
Item[30] FOREIGN APPLICATION PRIORITY DATA

“12-007324” should read -- 2000-007324 --.

Signed and Sealed this

Twenty-third Day of October, 2001

Attest:

Nicholas P. Godici

Attesting Officer

NICHOLAS P. GODICI
Acting Director of the United States Patent and Trademark Office