



US00D720701S

(12) **United States Design Patent**
Hiscoke

(10) **Patent No.:** **US D720,701 S**

(45) **Date of Patent:** **** Jan. 6, 2015**

(54) **ELECTRICAL CONNECTOR ASSEMBLY**

D328,890 S * 8/1992 Tomikawa et al. D13/147
D405,759 S * 2/1999 Carmo et al. D13/139.1
D514,514 S * 2/2006 Franks, Jr. D13/133

(71) Applicant: **Scolmore International Limited**,
Tamworth, Staffs (GB)

* cited by examiner

(72) Inventor: **Daniel Hiscoke**, Tamworth (GB)

Primary Examiner — Daniel Bui

(73) Assignee: **Scolmore International Limited**,
Tamworth, Staffs (GB)

(74) *Attorney, Agent, or Firm* — Donald J. Ranft; Collen IP

(**) Term: **14 Years**

(57) **CLAIM**

The ornamental design for an electrical connector assembly,
as shown and described.

(21) Appl. No.: **29/454,020**

DESCRIPTION

(22) Filed: **May 6, 2013**

FIG. 1 is a front top right perspective view of an electrical
connector assembly showing my new design;

(30) **Foreign Application Priority Data**

FIG. 2 is a bottom left rear perspective view thereof;

Nov. 4, 2012 (EM) 002130054-0001

FIG. 3 is a top view thereof;

(51) **LOC (10) Cl.** **13-03**

FIG. 4 is a bottom view thereof;

(52) **U.S. Cl.**

FIG. 5 is a right side view thereof;

USPC **D13/154**

FIG. 6 is a left side view thereof;

(58) **Field of Classification Search**

FIG. 7 is a front view thereof;

USPC D13/133, 146, 147, 154, 184, 199;
439/76.1, 78, 162, 282, 329, 374, 378,
439/557, 876, 953

FIG. 8 is a rear view thereof;

See application file for complete search history.

FIG. 9 is a front top right perspective view in use condition;

(56) **References Cited**

FIG. 10 is a bottom left rear perspective view thereof;

U.S. PATENT DOCUMENTS

D163,516 S * 6/1951 Gruver et al. D13/156
D309,725 S * 8/1990 O'Grady D13/133
D314,180 S * 1/1991 Maejima et al. D13/147
D322,958 S * 1/1992 Maejima D13/147

FIG. 11 is a top view thereof;

FIG. 12 is a bottom view thereof;

FIG. 13 is a right side view thereof;

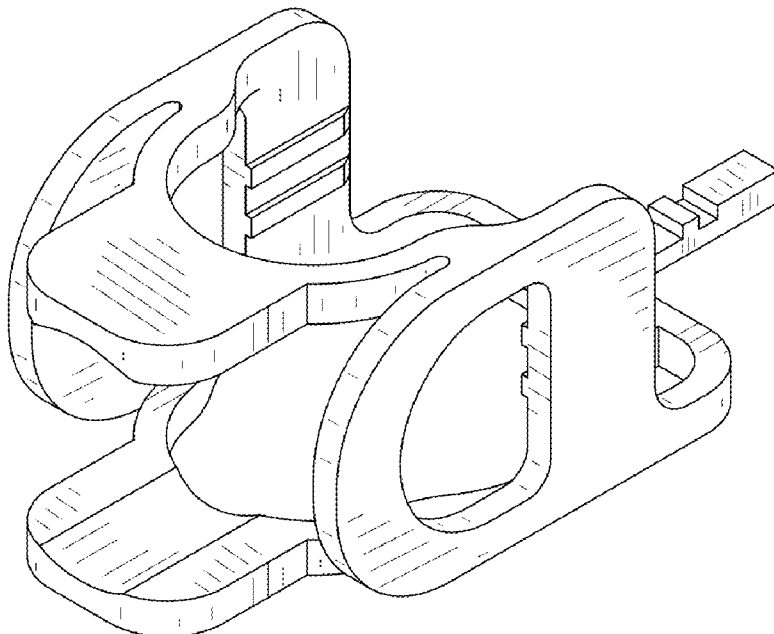
FIG. 14 is a left side view thereof;

FIG. 15 is a front view thereof; and,

FIG. 16 is a rear view thereof.

In the figure drawings, the even-broken line is included for the
purpose of illustrating environment and forms no part of the
claimed design.

1 Claim, 6 Drawing Sheets



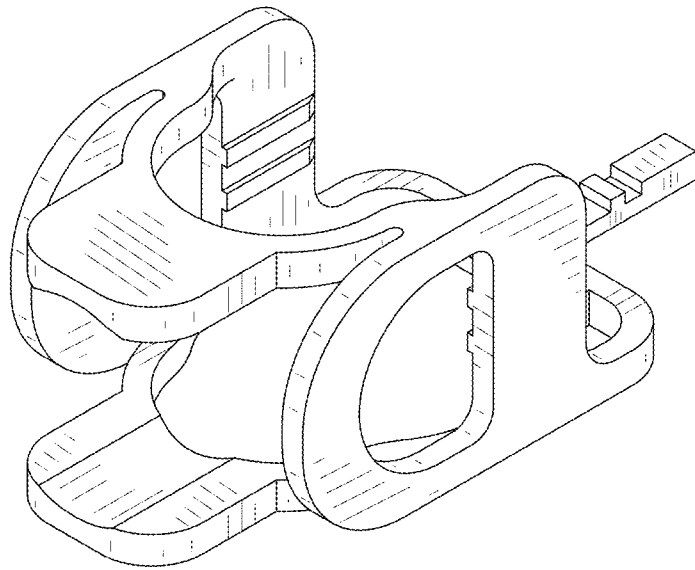


FIG. 1

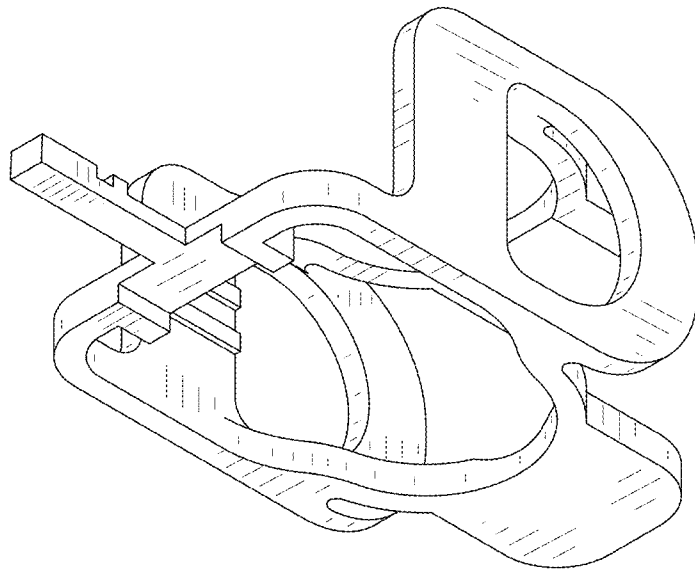


FIG. 2

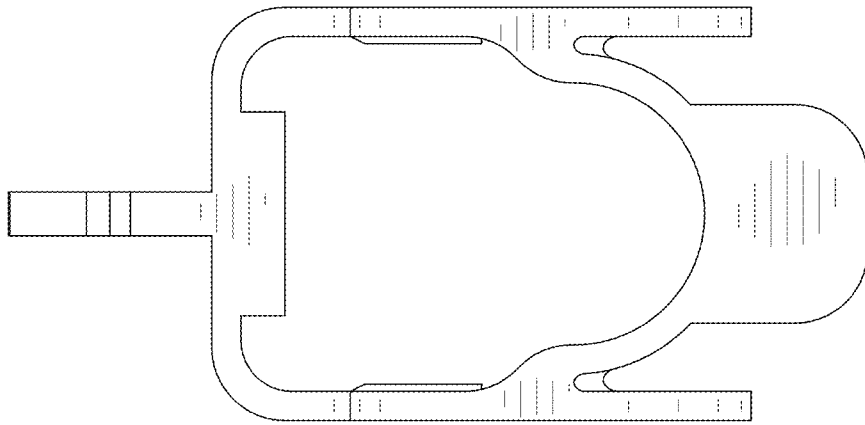


FIG. 3

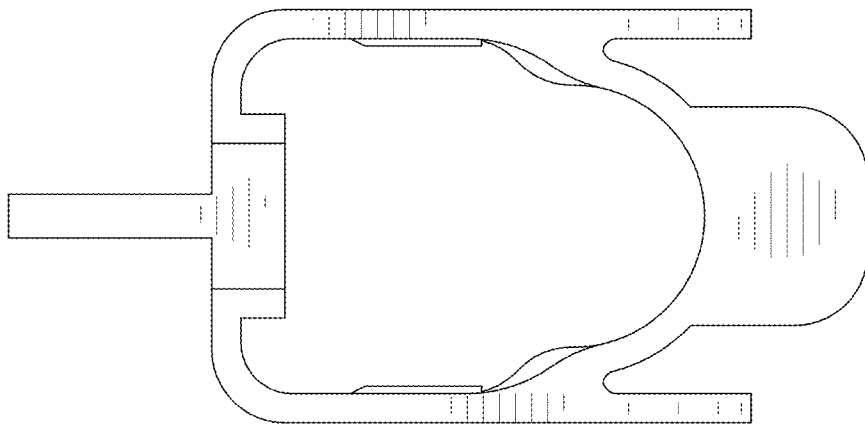


FIG. 4

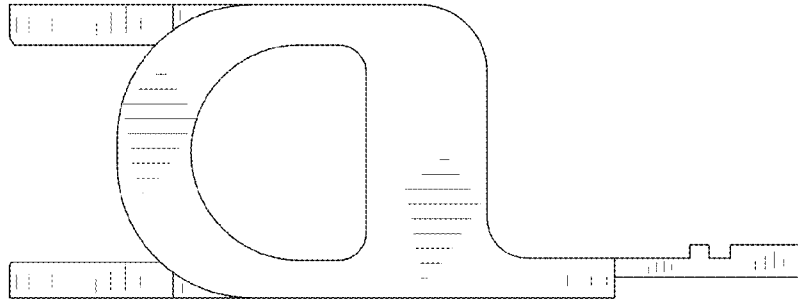


FIG. 5

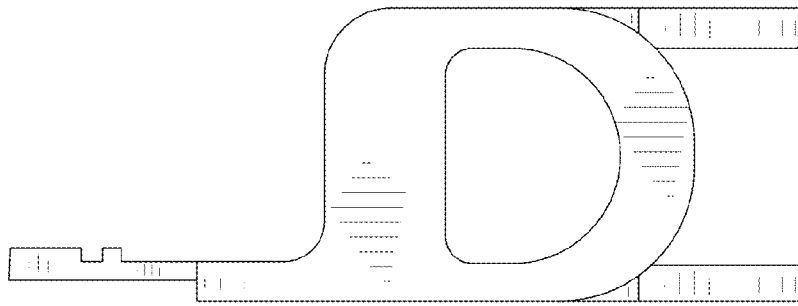


FIG. 6

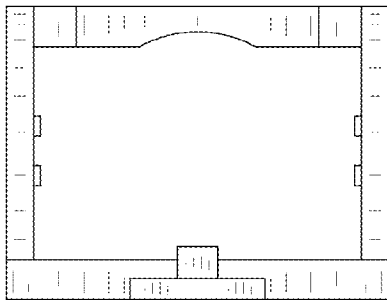


FIG. 7

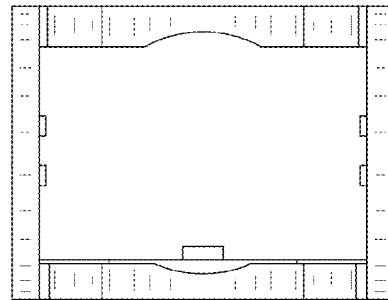


FIG. 8

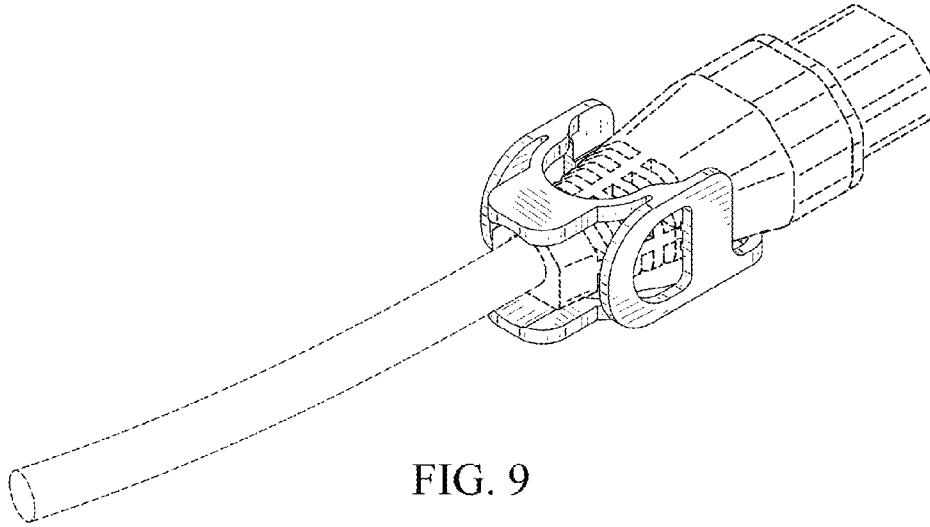


FIG. 9

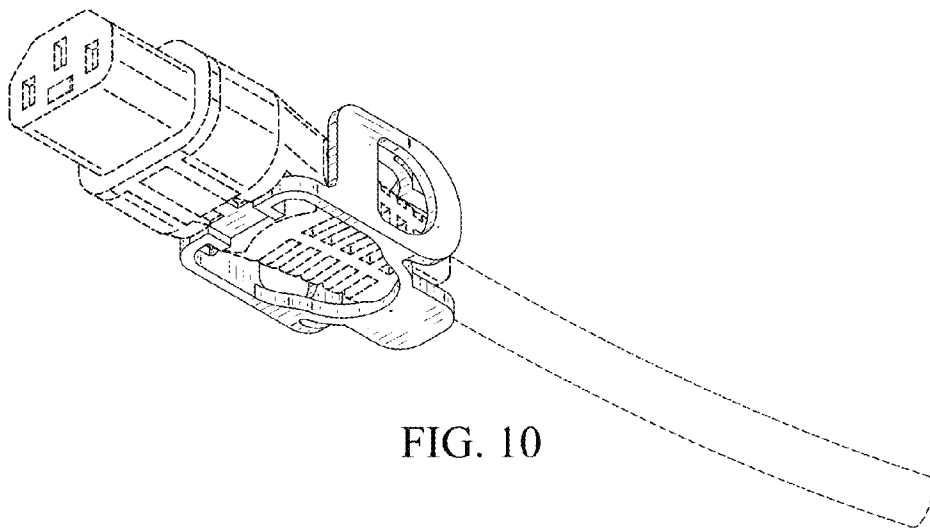


FIG. 10

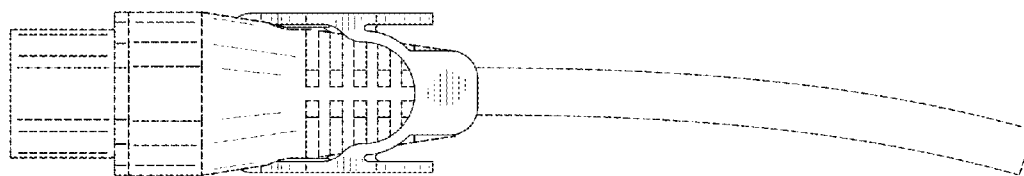


FIG. 11

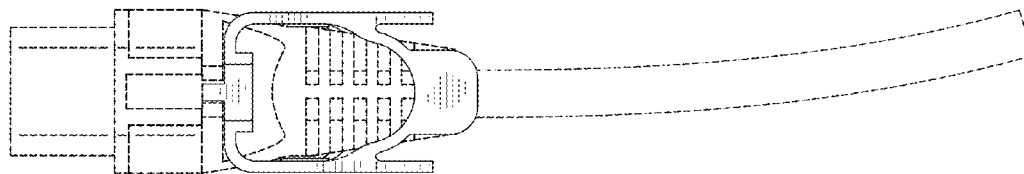


FIG. 12

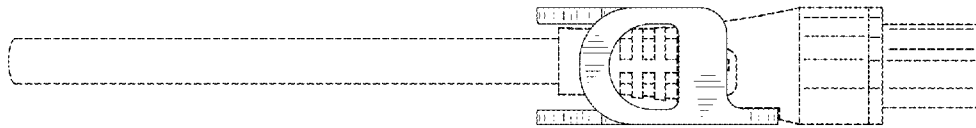


FIG. 13

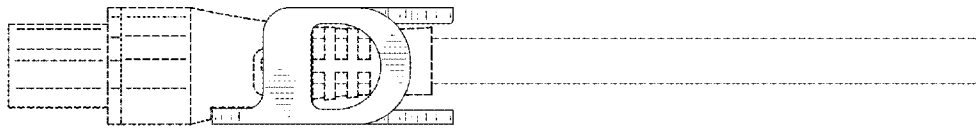


FIG. 14

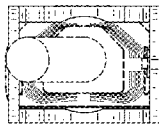


FIG. 15

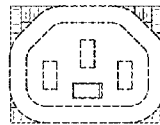


FIG. 16