



US00D652307S

(12) **United States Design Patent**
White et al.

(10) **Patent No.:** **US D652,307 S**
(45) **Date of Patent:** **** Jan. 17, 2012**

- (54) **BOTTLE**
- (75) Inventors: **Jeremy M. White**, Barrington, IL (US);
Switlana Wojcickij, Chappaqua, NY (US);
Stanley Hainsworth, Sammamish, WA (US);
Brent Lindberg, DeKalb, IL (US);
Matthew Schmunk, Portland, OR (US)
- (73) Assignee: **Stokely-Van Camp, Inc.**, Chicago, IL (US)
- (**) Term: **14 Years**
- (21) Appl. No.: **29/399,152**
- (22) Filed: **Aug. 10, 2011**

Related U.S. Application Data

- (62) Division of application No. 29/340,517, filed on Jul. 20, 2009, now Pat. No. Des. 644,929.
- (51) **LOC (9) Cl.** **09-01**
- (52) **U.S. Cl.** **D9/540; D9/552; D7/509**
- (58) **Field of Classification Search** D9/516,
D9/537-540, 549, 552-553, 556-558, 565,
D9/571; 215/381-385; D7/509-511, 396.2
See application file for complete search history.

References Cited

U.S. PATENT DOCUMENTS

D350,457 S *	9/1994	Bailey	D7/509 X
D379,154 S	5/1997	Cox		
D389,744 S	1/1998	Noe et al.		
5,704,504 A *	1/1998	Bueno	215/382 X
D399,431 S	10/1998	de Baschmakoff		
D420,291 S	2/2000	Gnann et al.		
D425,796 S	5/2000	Duranthon		
D428,813 S	8/2000	Haley		
D430,456 S *	9/2000	Thuma	D7/509
D431,735 S *	10/2000	Sullivan	D6/457
D437,774 S	2/2001	Piccioli et al.		

D438,099 S	2/2001	Piccioli et al.	
D438,455 S	3/2001	Bretz et al.	
D444,701 S	7/2001	Zboch et al.	
D446,112 S	8/2001	Bretz et al.	
D449,980 S	11/2001	Piccioli et al.	
D459,231 S	6/2002	Crawford et al.	
D459,232 S	6/2002	Crawford et al.	
D466,020 S	11/2002	Crawford et al.	
D466,415 S *	12/2002	Reis D9/552
D484,805 S	1/2004	Colangelo et al.	
D486,067 S	2/2004	Colangelo et al.	
D507,490 S	7/2005	Mero et al.	
D515,427 S	2/2006	Schuller et al.	
D524,165 S	7/2006	Scott	
D528,431 S	9/2006	Brandt et al.	
D530,214 S	10/2006	Scott	
D530,219 S	10/2006	Brandt et al.	
D535,567 S	1/2007	Snyder	
D540,680 S	4/2007	Perry et al.	
D545,203 S	6/2007	Perry et al.	
D550,096 S	9/2007	Zboch et al.	

(Continued)

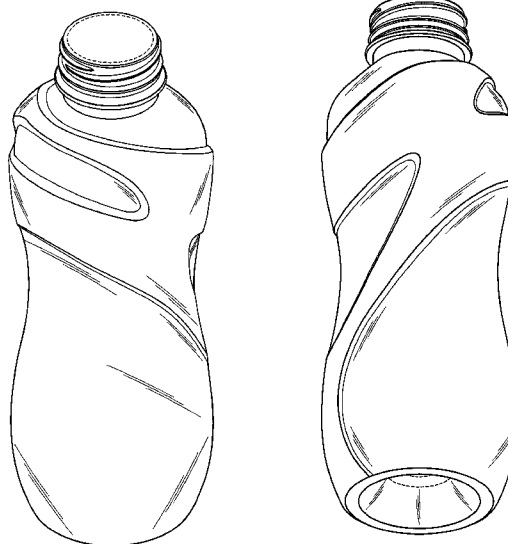
Primary Examiner — Carol P Rademaker
(74) *Attorney, Agent, or Firm* — Banner & Witcoff, Ltd.

(57) **CLAIM**
The ornamental design for a bottle, as shown and described.

DESCRIPTION

FIG. 1 is a top, rear and right side perspective view of our new design;
FIG. 2 is a right side elevational view thereof;
FIG. 3 is a rear elevational view thereof;
FIG. 4 is a left side elevational view thereof;
FIG. 5 is a front elevational view thereof;
FIG. 6 is a top plan view thereof;
FIG. 7 is a bottom plan view thereof; and,
FIG. 8 is a bottom, front perspective view thereof.
The broken lines shown in the drawing views are included for the purpose of illustrating environmental structure and form no part of the claimed design.

1 Claim, 7 Drawing Sheets



US D652,307 S

Page 2

U.S. PATENT DOCUMENTS

D554,513 S	11/2007	Floyd et al.	D592,069 S	5/2009	Kruparova
D554,514 S	11/2007	Floyd et al.	D599,671 S	9/2009	Bourne
D555,001 S	11/2007	Perry et al.	D600,559 S	9/2009	Lepoitevin
D555,003 S	11/2007	Perry et al.	D601,031 S	9/2009	Martinez et al.
D558,578 S	1/2008	Mongeon et al.	D601,903 S	10/2009	Lepoitevin
D559,112 S	1/2008	Hyde et al.	D602,363 S	10/2009	Chaffier
D561,596 S	2/2008	Hyde et al.	D602,367 S	10/2009	Lepoitevin
D567,097 S	4/2008	Bourne	D602,370 S	10/2009	Bourne
D567,101 S	4/2008	Pierre	D602,782 S	*	10/2009 Lepoitevin D9/552 X
D571,667 S	6/2008	Bourne	D602,783 S	10/2009	Lepoitevin
D573,890 S	7/2008	Mongeon et al.	D603,268 S	11/2009	Bourne
D575,158 S	8/2008	Boon	D603,709 S	11/2009	Lepoitevin
D575,161 S	* 8/2008	Lepoitevin D9/538	D603,711 S	11/2009	Lepoitevin
D581,285 S	11/2008	Lepoitevin	D604,169 S	11/2009	Melossi
D581,799 S	12/2008	Bourne	D605,947 S	*	12/2009 Debuire D9/538
D582,779 S	12/2008	Bourne	D609,105 S	2/2010	Tiefenback
D583,243 S	12/2008	Botti et al.	D612,243 S	3/2010	White et al.
D583,245 S	12/2008	Lepoitevin	D623,012 S	*	9/2010 White et al. D7/396.2
D584,628 S	* 1/2009	Lepoitevin D9/538	D634,588 S	*	3/2011 Cook et al. D7/619.1
D585,700 S	* 2/2009	Chu D7/396.2	D643,735 S	*	8/2011 Sherwood D9/549
D589,817 S	4/2009	Shmagin	D644,927 S	*	9/2011 White et al. D9/516
D591,609 S	5/2009	Shmagin	D644,929 S	*	9/2011 White et al. D9/540
D591,610 S	5/2009	Shmagin	D644,930 S	*	9/2011 White et al. D9/552 X
D592,063 S	5/2009	Floyd et al.			

* cited by examiner

Fig. 1

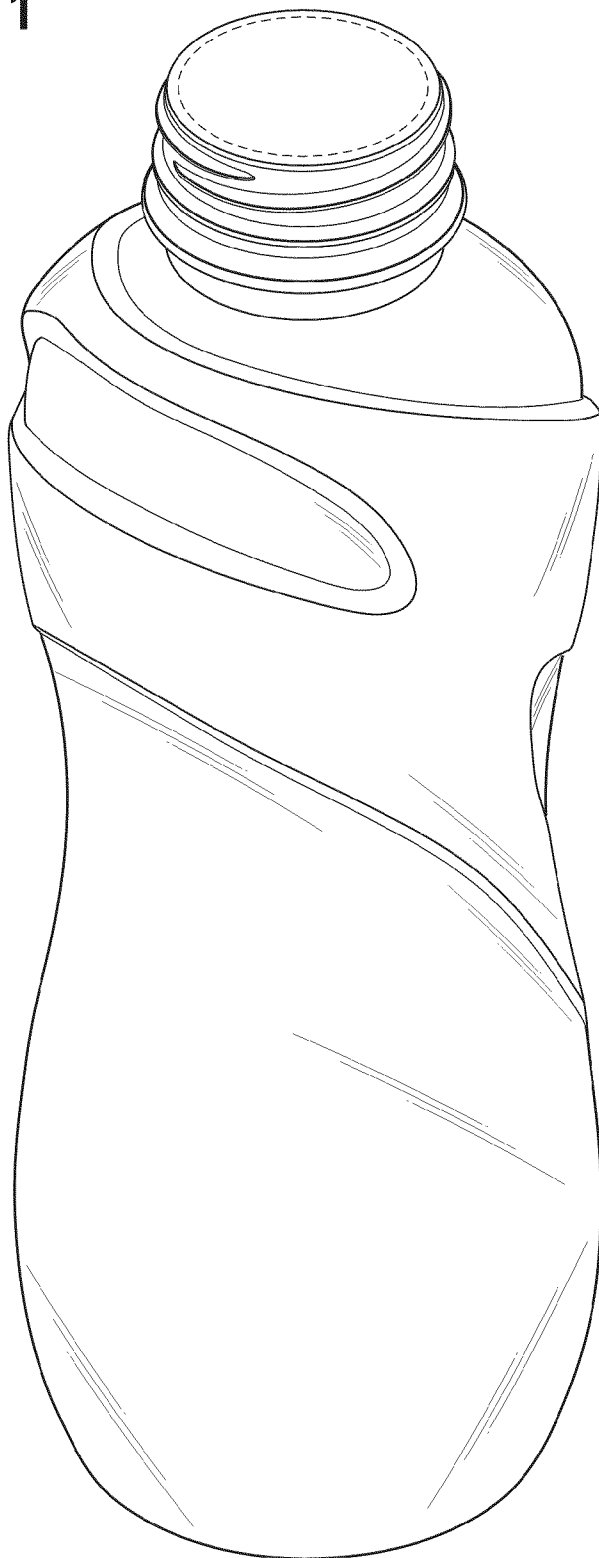


Fig. 2

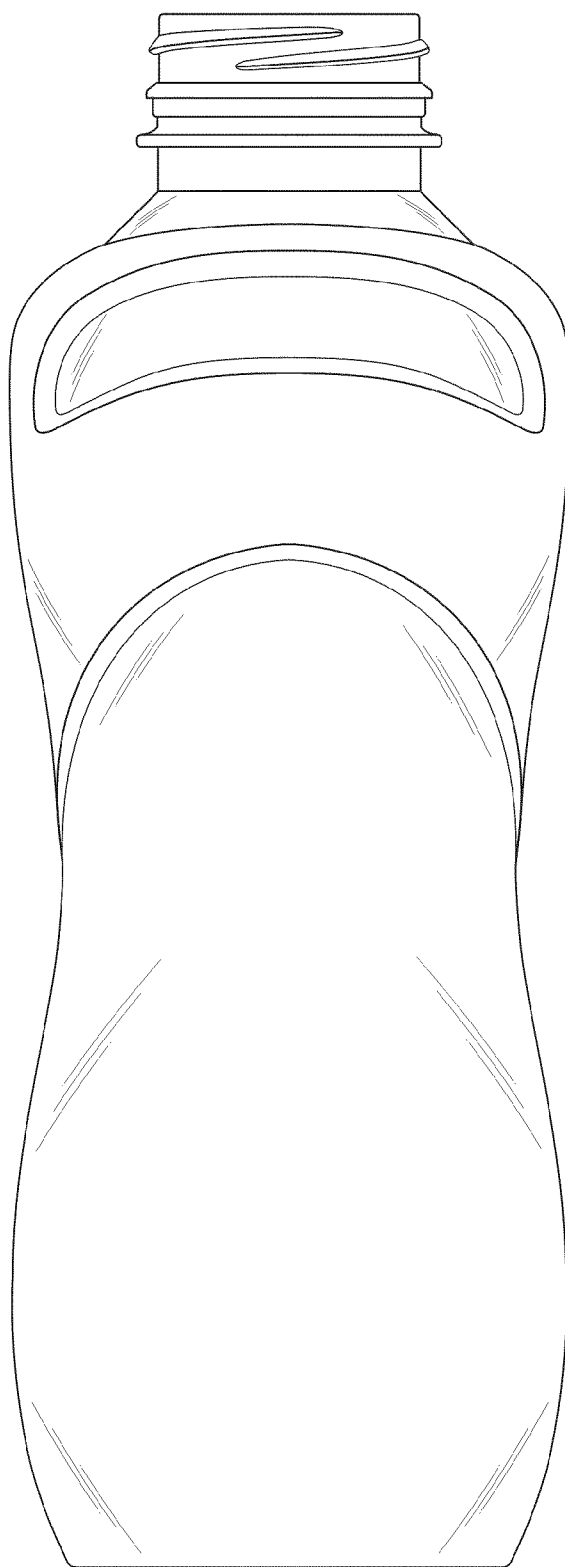


Fig. 3

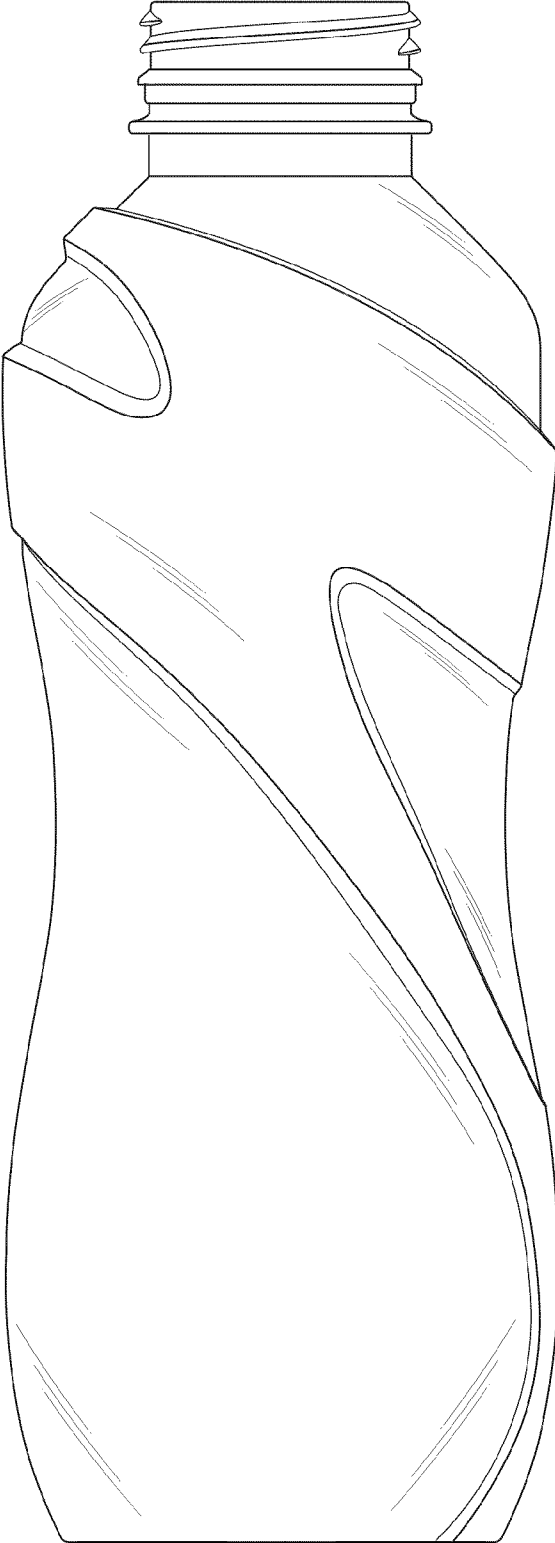


Fig. 4

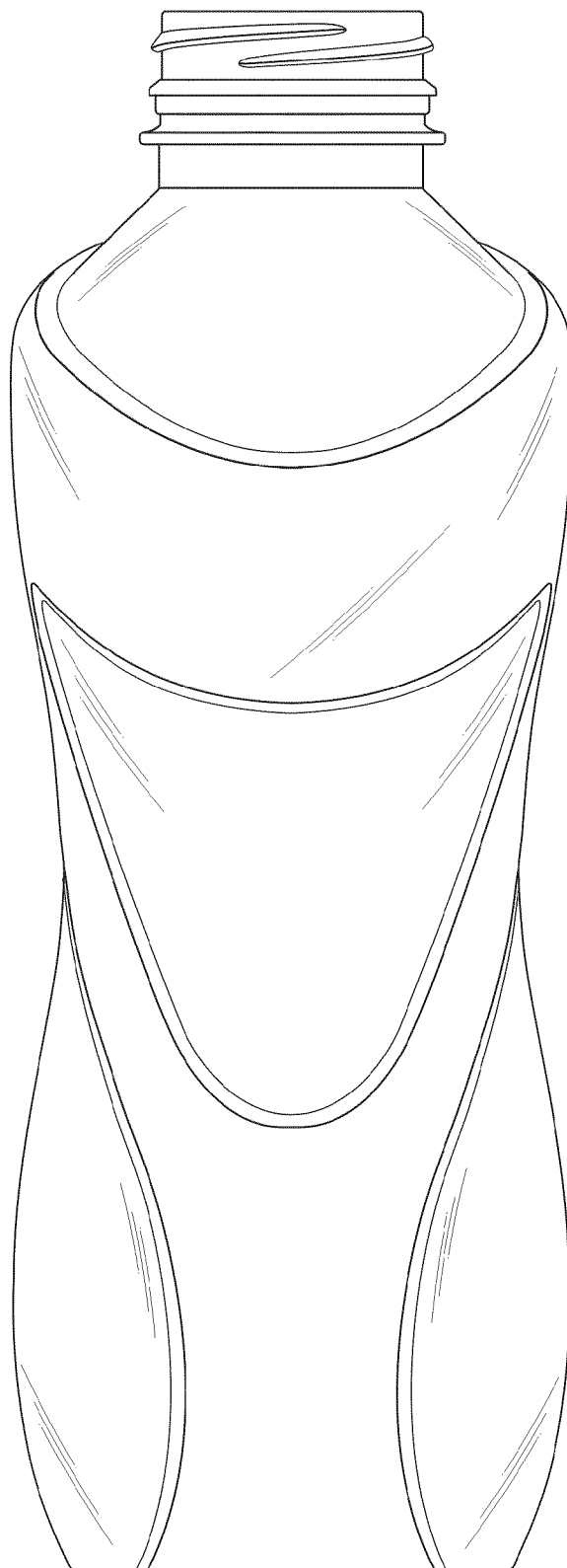


Fig. 5



Fig. 6

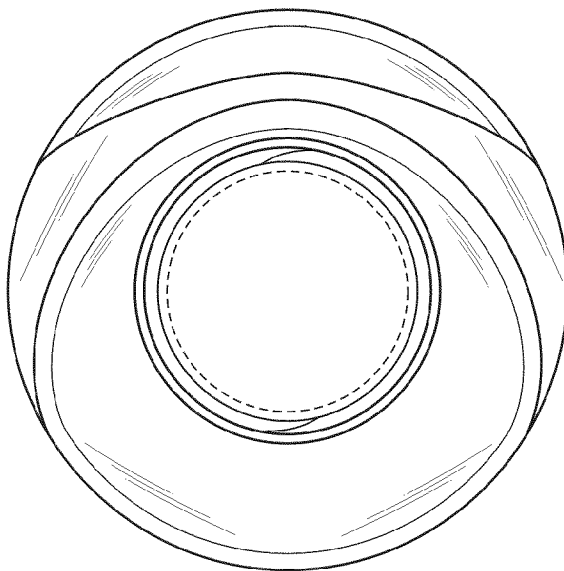


Fig. 7

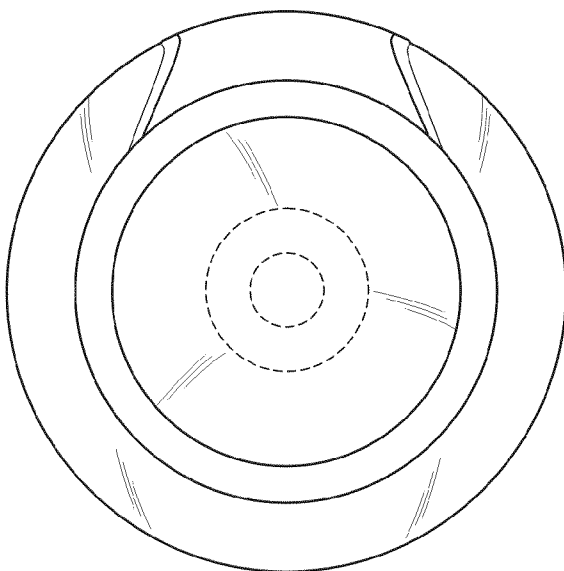


Fig. 8

