

(19) World Intellectual Property Organization
International Bureau



(43) International Publication Date
16 June 2011 (16.06.2011)

(10) International Publication Number
WO 2011/071802 A3

(51) International Patent Classification:
H02G 11/02 (2006.01) *G02B 6/44* (2006.01)
B65H 54/02 (2006.01)

(74) Agents: **YODER, Stephen R.** et al.; John Mezzalingua Associates, Inc., Legal Department, 6176 East Molloy Rd., East Syracuse, New York 13057 (US).

(21) International Application Number:
PCT/US2010/059056

(81) Designated States (unless otherwise indicated, for every kind of national protection available): AE, AG, AL, AM, AO, AT, AU, AZ, BA, BB, BG, BH, BR, BW, BY, BZ, CA, CH, CL, CN, CO, CR, CU, CZ, DE, DK, DM, DO, DZ, EC, EE, EG, ES, FI, GB, GD, GE, GH, GM, GT, HN, HR, HU, ID, IL, IN, IS, JP, KE, KG, KM, KN, KP, KR, KZ, LA, LC, LK, LR, LS, LT, LU, LY, MA, MD, ME, MG, MK, MN, MW, MX, MY, MZ, NA, NG, NI, NO, NZ, OM, PE, PG, PH, PL, PT, RO, RS, RU, SC, SD, SE, SG, SK, SL, SM, ST, SV, SY, TH, TJ, TM, TN, TR, TT, TZ, UA, UG, US, UZ, VC, VN, ZA, ZM, ZW.

(22) International Filing Date:
6 December 2010 (06.12.2010)

(25) Filing Language: English

(26) Publication Language: English

(30) Priority Data:
12/632,665 7 December 2009 (07.12.2009) US

(71) Applicant (for all designated States except US): **JOHN MEZZALINGUA ASSOCIATES, INC.** [US/US]; Legal Department, 6176 East Molloy Rd, East Syracuse, New York 13057 (US).

(84) Designated States (unless otherwise indicated, for every kind of regional protection available): ARIPO (BW, GH, GM, KE, LR, LS, MW, MZ, NA, SD, SL, SZ, TZ, UG, ZM, ZW), Eurasian (AM, AZ, BY, KG, KZ, MD, RU, TJ, TM), European (AL, AT, BE, BG, CH, CY, CZ, DE, DK, EE, ES, FI, FR, GB, GR, HR, HU, IE, IS, IT, LT, LU, LV, MC, MK, MT, NL, NO, PL, PT, RO, RS, SE, SI, SK, SM, TR), OAPI (BF, BJ, CF, CG, CI, CM, GA, GN, GQ, GW, ML, MR, NE, SN, TD, TG).

(72) Inventors; and

(75) Inventors/Applicants (for US only): **AMATO, Alan J.** [US/US]; 745 South Brooksvale Road, Cheshire, Connecticut 06410 (US). **CROSSETT, Carl L., Jr.** [US/US]; 724 Delaware Avenue, Elmira, New York 14904 (US).

[Continued on next page]

(54) Title: CABLE SPOOL CARRYING DEVICE

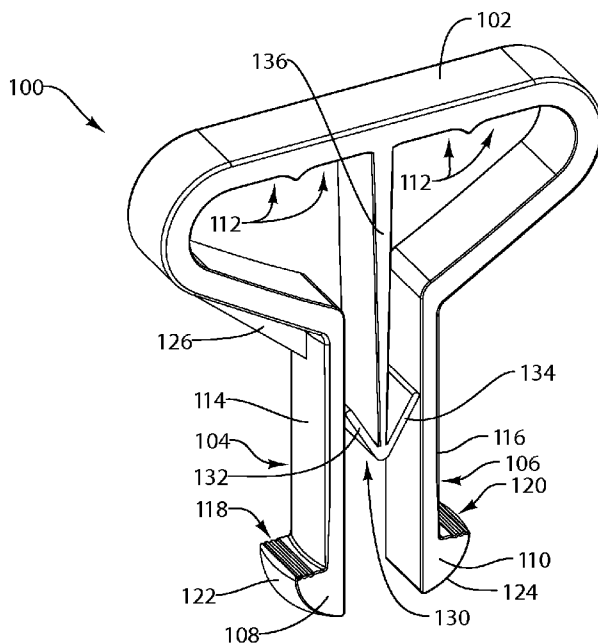


Fig. 1A

(57) Abstract: A cable spool carrying device. In one example embodiment, a cable spool carrying device includes a handle, first and second legs attached to the handle, first and second feet attached to the first and second legs, respectively, and means for biasing the first and second legs away from one another.

WO 2011/071802 A3



Published:

(88) Date of publication of the international search report:

- *with international search report (Art. 21(3))*
- *before the expiration of the time limit for amending the claims and to be republished in the event of receipt of amendments (Rule 48.2(h))*

3 November 2011

A. CLASSIFICATION OF SUBJECT MATTER***H02G 11/02(2006.01)i, B65H 54/02(2006.01)i, G02B 6/44(2006.01)i***

According to International Patent Classification (IPC) or to both national classification and IPC

B. FIELDS SEARCHED

Minimum documentation searched (classification system followed by classification symbols)

H02G 11/02; B25B 9/02; B65D 5/46; A45F 5/10; B25J 1/02; A61B 17/00; B65D 25/22; A61B 17/28

Documentation searched other than minimum documentation to the extent that such documents are included in the fields searched

Korean utility models and applications for utility models

Japanese utility models and applications for utility models

Electronic data base consulted during the international search (name of data base and, where practicable, search terms used)

eKOMPASS(KIPO internal) & Keywords: Cable, Spool, Bobin, Carrying device

C. DOCUMENTS CONSIDERED TO BE RELEVANT

Category*	Citation of document, with indication, where appropriate, of the relevant passages	Relevant to claim No.
A	US 05421630A A (SERGI; DOMINIC et al.) 06 June 1995 See column 3, line 38 - column 4, line 23; claim 1 and figures 1-4.	1-20
A	US 04039121A A (CRANE; WALTON B.) 02 August 1977 See column 3, line 43 - line 65; claim 1 and figure 2.	1-20
A	WO 02-076261 A1 (BAG LIFT AS) 03 October 2002 See abstract and figure 1.	1-20
A	US 03906957A A (WESTON DAVID FREDERICK) 23 September 1975 See column 2, line 48 - column 3, line 35; claim 1 and figures 1-2.	6,7

 Further documents are listed in the continuation of Box C. See patent family annex.

* Special categories of cited documents:

"A" document defining the general state of the art which is not considered to be of particular relevance

"E" earlier application or patent but published on or after the international filing date

"L" document which may throw doubts on priority claim(s) or which is cited to establish the publication date of citation or other special reason (as specified)

"O" document referring to an oral disclosure, use, exhibition or other means

"P" document published prior to the international filing date but later than the priority date claimed

"T" later document published after the international filing date or priority date and not in conflict with the application but cited to understand the principle or theory underlying the invention

"X" document of particular relevance; the claimed invention cannot be considered novel or cannot be considered to involve an inventive step when the document is taken alone

"Y" document of particular relevance; the claimed invention cannot be considered to involve an inventive step when the document is combined with one or more other such documents, such combination being obvious to a person skilled in the art

"&" document member of the same patent family

Date of the actual completion of the international search

31 AUGUST 2011 (31.08.2011)

Date of mailing of the international search report

31 AUGUST 2011 (31.08.2011)

Name and mailing address of the ISA/KR

Korean Intellectual Property Office
Government Complex-Daejeon, 189 Cheongsu-ro,
Seo-gu, Daejeon 302-701, Republic of Korea

Facsimile No. 82-42-472-7140

Authorized officer

LEE Yong Ho

Telephone No. 82-42-481-8454



INTERNATIONAL SEARCH REPORT

Information on patent family members

International application No.

PCT/US2010/059056

Patent document cited in search report	Publication date	Patent family member(s)	Publication date
US 05421630A A	06.06.1995	KR 10-1994-0701997 A WO 93-03485 A1	28.06.1994 18.02.1993
US 04039121A A	02.08.1977	None	
WO 02-076261 A1	03.10.2002	AT 293378 T DE 50105987 D1 EP 1395142 A1 EP 1395142 B1 ES 2243481 T3 N020011528A N020011528D0 N0313796B1	15.05.2005 25.05.2005 10.03.2004 20.04.2005 01.12.2005 27.09.2002 26.03.2001 02.12.2002
US 03906957A A	23.09.1975	JP 1118084 C JP 50-048779 A JP 57-010738 B	15.10.1982 01.05.1975 27.02.1982