



US00D342971S

United States Patent [19]

[11] Patent Number: **Des. 342,971**

Martin

[45] Date of Patent: **** Jan. 4, 1994**

[54] **SUPPORT MODULE FOR MOBILE
ADVERTISING DISPLAYS FOR SPORTING
ARENAS**

[75] Inventor: **D. Jose M. G. Martin, Madrid, Spain**

[73] Assignee: **Dorna U.S.A., Inc., New York, N.Y.**

[**] Term: **14 Years**

[21] Appl. No.: **631,925**

[22] Filed: **Sep. 26, 1990**

D. 329,466	9/1992	Martin	D20/10
1,172,943	2/1916	Collins	40/342
1,561,940	11/1925	Zuther	40/479
2,530,702	11/1950	Johnson	40/343
3,601,915	8/1971	Milliam	40/493
3,634,958	1/1972	Drowns	40/493
4,483,086	11/1984	Abseck	40/342

Primary Examiner—Wallace R. Burke
Assistant Examiner—Marcus Jackson
Attorney, Agent, or Firm—Helfgott & Karas

Related U.S. Application Data

[63] Continuation-in-part of Ser. No. 540,563, Jun. 19, 1990,
Pat. No. Des. 328,613.

[52] U.S. Cl. **D20/10**

[58] Field of Search 40/343, 342, 493, 479,
40/480, 484, 483, 493, 494, 584, 624; D20/10,
18, 19, 20, 39, 40

[57] CLAIM

The ornamental design for support module for mobile advertising displays for sporting arenas, as shown and described.

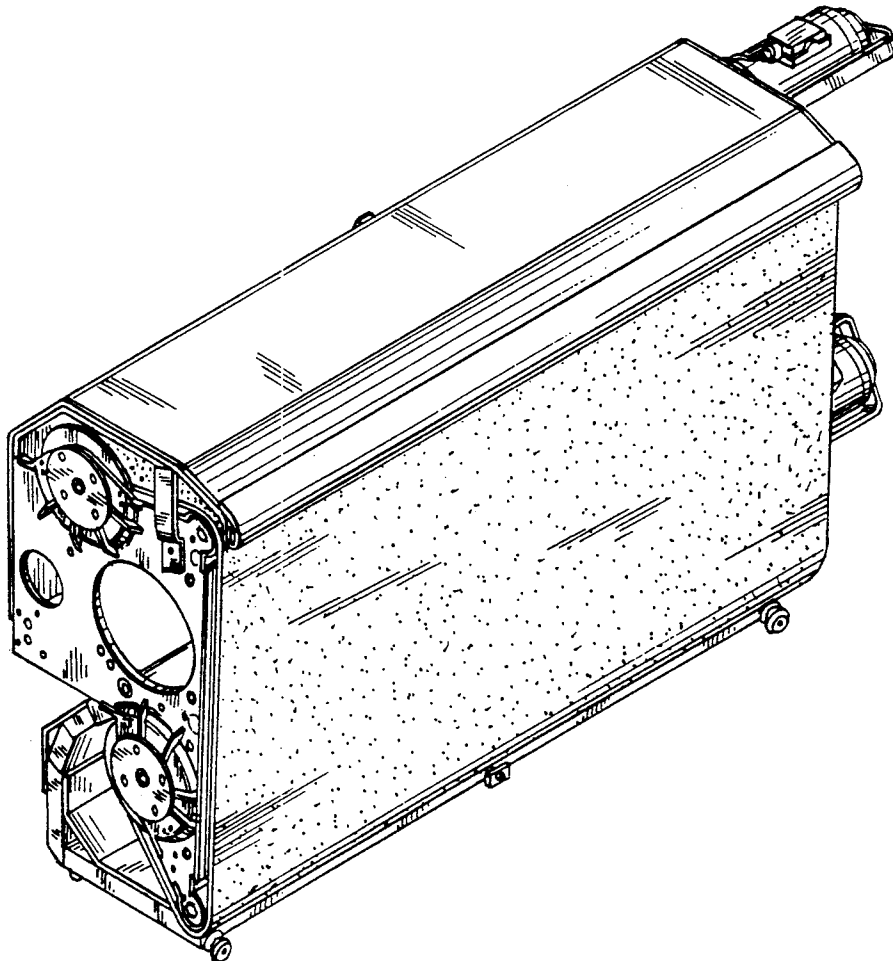
DESCRIPTION

FIG. 1 is a front view of the invention;
FIG. 2 is a left side view thereof;
FIG. 3 is a right side view thereof;
FIG. 4 is a rear view thereof;
FIG. 5 is a top plan view thereof;
FIG. 6 is a bottom plan view thereof; and,
FIG. 7 is a perspective view as seen from the top, front and left side.

[56] References Cited

U.S. PATENT DOCUMENTS

D. 328,613 8/1992 Martin D20/10



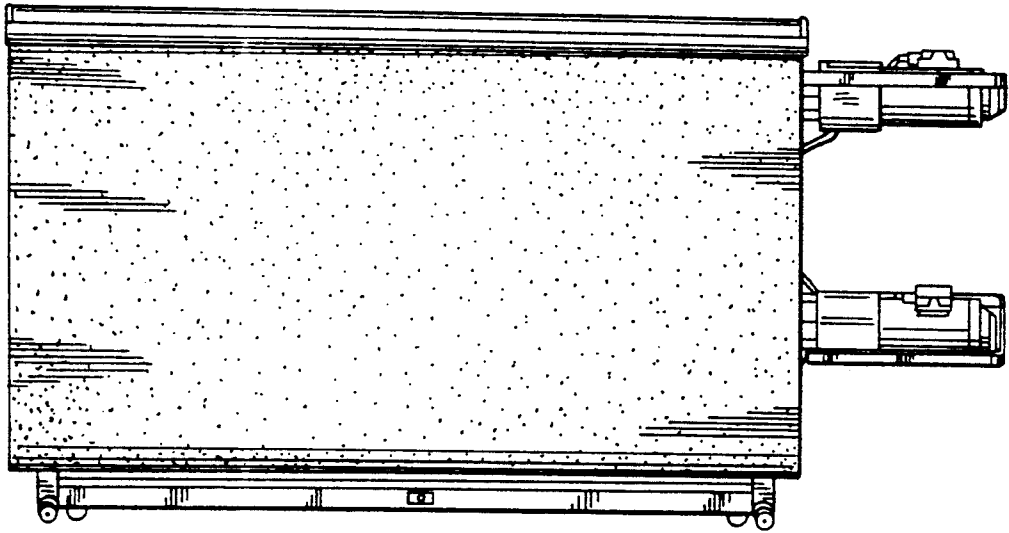


FIG. 1

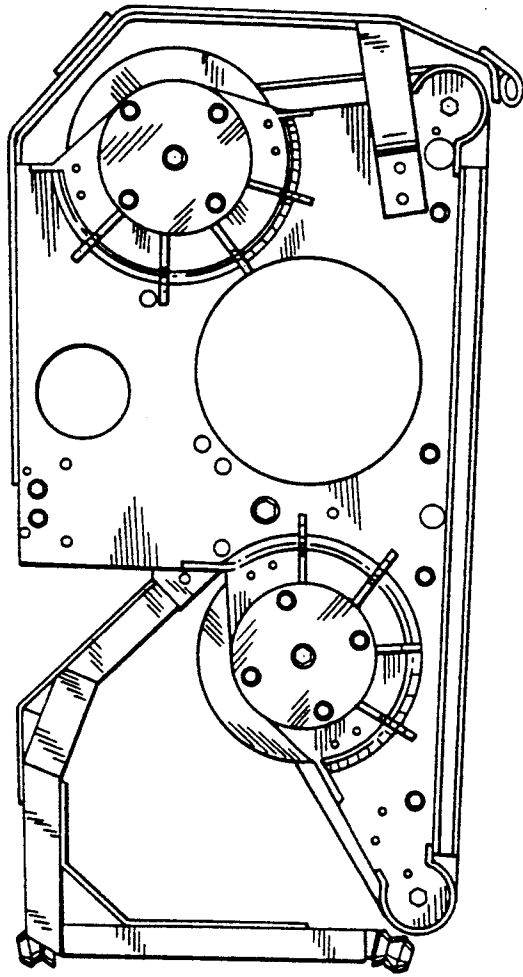


FIG. 2

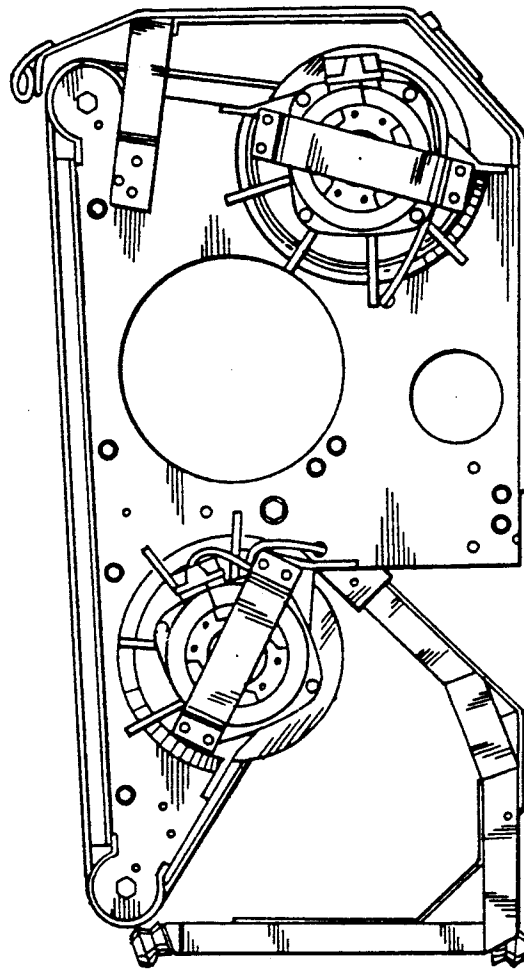


FIG. 3

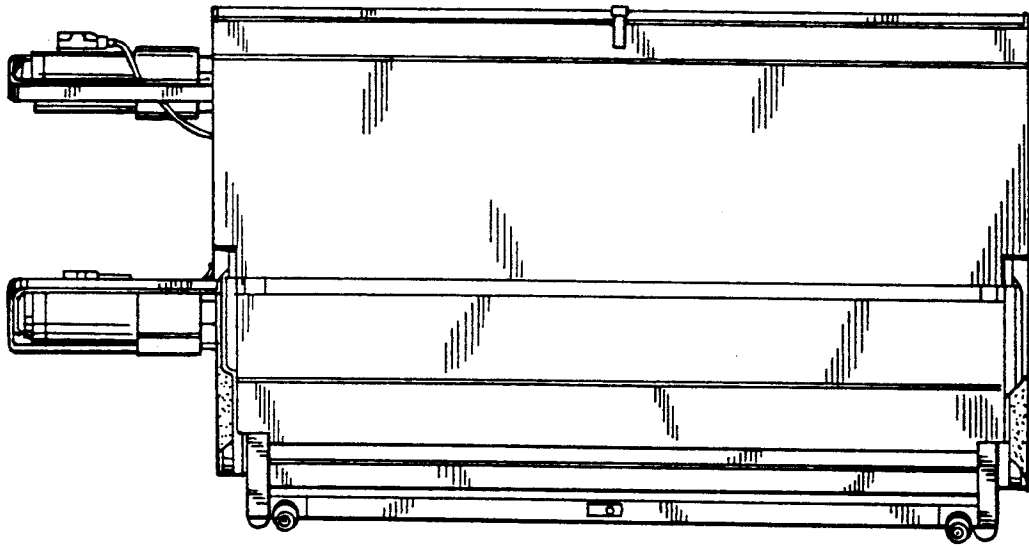


FIG. 4

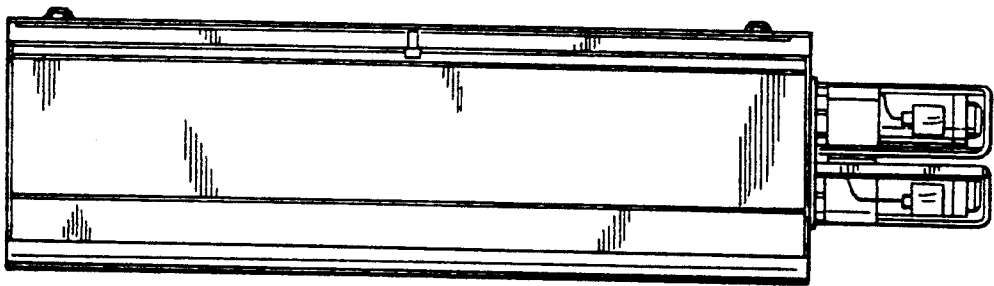


FIG. 5

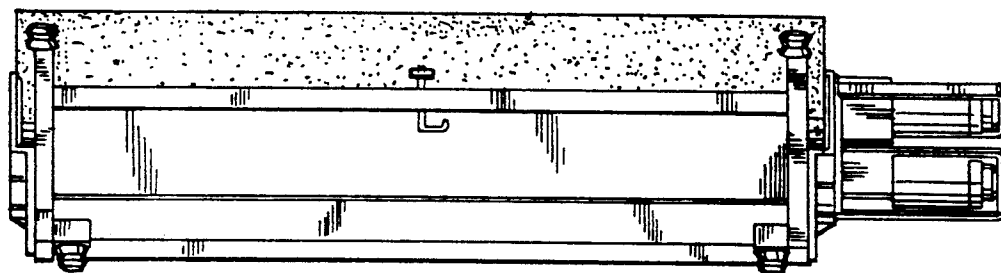


FIG. 6

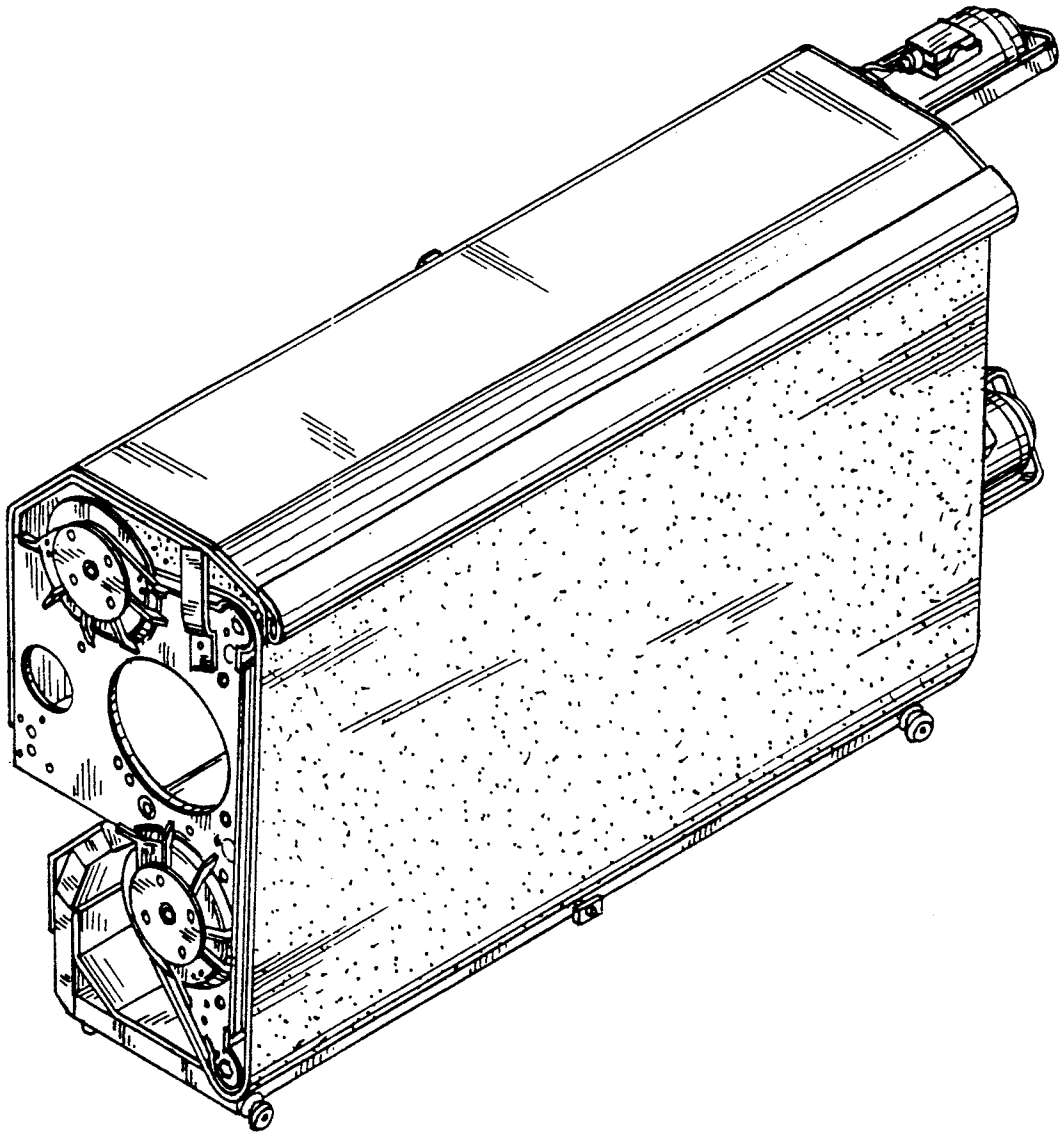


FIG.7