

(19) AUSTRALIAN PATENT OFFICE

(54) Title
Microblade array impact applicator

(51) ⁶ International Patent Classification(s)
A61M 037/00

(21) Application No: 2001296827 (22) Application Date: 2001.10.12

(87) WIPO No: W002/30281

(30) Priority Data

(31) Number	(32) Date	(33) Country
60240436	2000.10.13	US 7

(43) Publication Date : 2002.04.22

(43) Publication Journal Date : 2002.06.27

(71) Applicant(s)
Alza Corporation

(72) Inventor(s)
Trautman, Joseph C.; Cao, Michael T.; Keenan, Richard L.

(74) Agent/Attorney
Shelston IP, Level 21 60 Margaret Street, Sydney, NSW, 2000

(56) Related Art
WO 99/33504

(12) INTERNATIONAL APPLICATION PUBLISHED UNDER THE PATENT COOPERATION TREATY (PCT)

(19) World Intellectual Property Organization
International Bureau



(43) International Publication Date
18 April 2002 (18.04.2002)

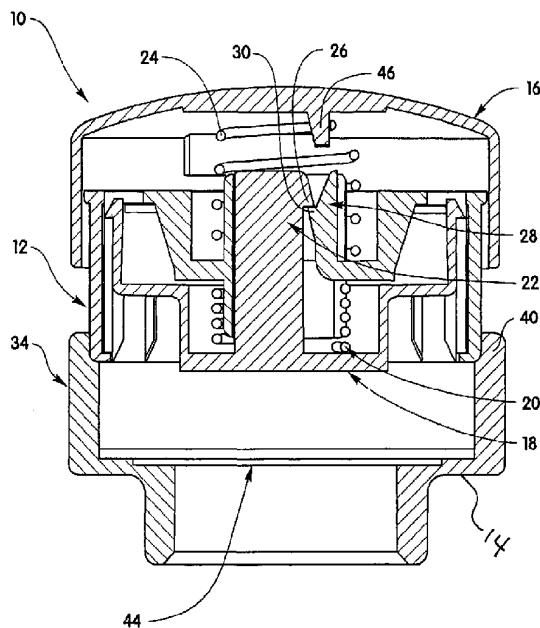
PCT

(10) International Publication Number
WO 02/30281 A1

- (51) International Patent Classification: **A61B 5/14**,
A61M 37/00
- (21) International Application Number: PCT/US01/31935
- (22) International Filing Date: 12 October 2001 (12.10.2001)
- (25) Filing Language: English
- (26) Publication Language: English
- (30) Priority Data:
60/240,436 13 October 2000 (13.10.2000) US
- (71) Applicant: **ALZA CORPORATION** [US/US]; 1900
Charleston Road, P.O. Box 7210, M10-3, Mountain View,
CA 94039-7210 (US).
- (72) Inventors: **TRAUTMAN, Joseph, C.**; 1574 Wright Av-
enue, Sunnyvale, CA 94087 (US); **KEENAN, Richard, L.**;
14711 Fruitvale Avenue, Saratoga, CA 95070 (US); **CAO,**
- (74) Agents: **BATES, Owen, J.** et al.; Alza Corporation, 1900
Charleston Road, P.O. Box 7210, M10-3, Mountain View,
CA 94039-7210 (US).
- (81) Designated States (*national*): AE, AG, AI, AM, AT, AU,
AZ, BA, BB, BG, BR, BY, BZ, CA, CH, CN, CO, CR, CU,
CZ, DE, DK, DM, DZ, EC, EE, ES, FI, GB, GD, GE, GH,
GM, HR, HU, ID, IL, IN, IS, JP, KE, KG, KP, KR, KZ, LC,
LK, LR, LS, LT, LU, LV, MA, MD, MG, MK, MN, MW,
MX, MZ, NO, NZ, PL, PT, RO, RU, SD, SE, SG, SI,
SK, SL, TJ, TM, TR, TT, TZ, UA, UG, UZ, VN, YU, ZA,
ZW.
- (84) Designated States (*regional*): ARIPO patent (GH, GM,
KE, LS, MW, MZ, SD, SL, SZ, TZ, UG, ZW), Eurasian
patent (AM, AZ, BY, KG, KZ, MD, RU, TJ, TM), European
patent (AT, BE, CH, CY, DE, DK, ES, FI, FR, GB, GR, IE,

[Continued on next page]

(54) Title: MICROBLADE ARRAY IMPACT APPLICATOR



(57) Abstract: An applicator device (10) is provided for applying a patch (44) having an array of microprotrusions (90) to the stratum corneum. The applicator device (10) includes a device body (12) and a piston moveable within the device body (12). A cap (16) is provided on the device body (12) for activating the device (10) to impact the stratum corneum with a microprotrusion array (44, 90). The device (10) is capable of being cocked by one handed operation of the user which allows the device (10) to be used by patients having neither the strength nor the manual dexterity to cock other types of applicator devices.

WO 02/30281 A1



IT, LI, MC, NI, PT, SF, TR), OAPI patent (BF, BJ, CF, CG, CI, CM, GA, GN, GQ, GW, ML, MR, NI, SN, TD, TG).

— *before the expiration of the time limit for amending the claims and to be republished in the event of receipt of amendments*

Published:

— *with international search report*

For two-letter codes and other abbreviations, refer to the "Guidance Notes on Codes and Abbreviations" appearing at the beginning of each regular issue of the PCT Gazette.

MICROBLADE ARRAY IMPACT APPLICATOR**TECHNICAL FIELD**

The invention relates to an apparatus and method for applying a penetrating member to the stratum comeum layer of the skin by impact, and more particularly, the invention relates to the use of an impact device to reproducibly penetrate the stratum comeum with a penetrating member such as a microprotrusion array for transdermal delivery or sampling of an agent.

Any discussion of the prior art throughout the specification should in no way be considered as an admission that such prior art is widely known or forms part of common general knowledge in the field.

BACKGROUND ART

Interest in the percutaneous or transdermal delivery of peptides and proteins to the human body continues to grow with the increasing number of medically useful peptides and proteins becoming available in large quantities and pure form. The transdermal delivery of peptides and proteins still faces significant problems. In many instances, the rate of delivery or flux of polypeptides through the skin is insufficient to produce a desired therapeutic effect due to their large size and molecular weight. In addition, polypeptides and proteins are easily degraded during and after penetration into the skin, prior to reaching target cells. Likewise, the passive transdermal flux of many low molecular weight compounds is too limited to be therapeutically effective.

One method of increasing the transdermal delivery of agents relies on pre-treating the skin with, or co-delivering with the beneficial agent, a skin permeation enhancer. A permeation enhancer substance, when applied to a body surface through which the agent is delivered, enhances the transdermal flux of the agent such as by increasing the permselectivity and/or permeability of the body surface, and/or reducing the degradation of the agent.

Another method of increasing the agent flux involves the application of an electric current across the body surface referred to as "electrotransport". "Electrotransport" refers generally to the passage of a beneficial agent, e.g., a drug or drug precursor, through a body surface, such as skin, mucous membranes, nails, and the like. The transport of the agent is induced or enhanced by the application of an electrical potential, which results in the

application of electric current, which delivers or enhances delivery of the agent. Electrotransport delivery generally increases agent delivery and reduces polypeptide degradation during transdermal delivery.

[0005] There also have been many attempts to mechanically penetrate or
5 disrupt the skin in order to enhance the transdermal flux. See for example,
U.S. Patent Nos. 5,879,326 issue to Godshall, et al., 3,814,097 issued to
Ganderton, et al., 5,279,544 issued to Gross, et al., 5,250,023 issued to Lee,
et al., 3,964,482 issued to Gerstel, et al., Reissue 25,637 issued to Kravitz, et
al., and PCT Publication Nos. WO 96/37155, WO 96/37256, WO 96/17648,
10 WO 97/03718, WO 98/11937, WO 98/00193, WO 97/48440, WO 97/48441,
WO 97/48442, WO 98/00193, WO 99/64580, WO 98/28037, WO 98/29298,
and WO 98/29365. These devices use piercing elements of various shapes
and sizes to pierce the outermost layer (i.e., the stratum corneum) of the skin.
The penetrating elements disclosed in these references generally extend
15 perpendicularly from a thin, flat member, such as a pad or sheet. The
penetrating elements in some of these devices are extremely small, some
having dimensions (i.e., a microblade length and width) of only about 25 - 400
 μm and a microblade thickness of only about 5 - 50 μm . Other penetrating
elements are hollow needles having diameters of about 10 μm or less and
20 lengths of about 50-100 μm . These tiny stratum corneum piercing/cutting
elements are meant to make correspondingly small microslits/microcuts in the
stratum corneum for enhanced transdermal agent delivery therethrough. In
many instances, the microslits/microcuts in the stratum corneum have a
length of less than 150 μm and a width which is substantially smaller than
25 their length.

[0006] Skin penetrating devices are used to penetrate the outermost layer
of the skin, i.e., stratum corneum, with a plurality of microprotrusions to form
pathways through which an agent such as a drug can be introduced, i.e.,
delivered, or an agent such as a body analyte can be withdrawn, i.e.,
30 sampled. The perforated skin provides improved flux for sustained agent
delivery or sampling through the skin.

[0007] When microprotrusion arrays are used to improve delivery or
sampling of agents through the skin, consistent, complete, and repeatable

penetration is desired. Manual application of a skin patch having microprotrusions protruding from its skin-contacting side often results in significant variation in puncture depth across the length and width of the patch. In addition, manual application results in large variations in puncture
5 depth between applications due to the manner in which the user applies the array. Accordingly, it would be desirable to be able to apply a microprotrusion array to the stratum corneum with an automatic device, which provides in a consistent and repeatable manner, stratum corneum piercing not only over
10 the length and width of the microprotrusion array but also from application of one microprotrusion array to the next.

[0008] Some known spring loaded applicator devices for delivery of lancets for body fluid (e.g., blood) sampling are described in WO 99/26539 and WO 97/42886. However, these devices are difficult to use because they
15 require two handed cocking of the applicator device prior to application. In particular, the known spring loaded lancet applicators require either two sections of the device to be pulled apart for cocking or require one part of the device to be twisted with respect to another part of the device for cocking. In both of these motions two handed cocking operation is required. Many of the
20 patients using these devices possess neither the strength nor the manual dexterity to cock these known applicator devices.

[0009] Accordingly, it would be desirable to provide a spring loaded applicator for a skin penetrating member which is cocked by one handed operation of the user and which requires a minimal hand strength for cocking.

25 **DISCLOSURE OF THE INVENTION**

[0010] The present invention relates to an applicator for applying a penetrating member to the stratum corneum with impact. The penetrating member may be a microprotrusion array which is used to improve transport of an agent across the skin. The applicator includes a cocking mechanism
30 which allows one handed cocking operation. The cocking mechanism requires minimal hand strength and dexterity since the cocking force can be applied by a user's arm.

[0011] In accordance with one aspect of the present invention, a device for impacting a penetrating member against the stratum corneum includes a device body for application of a penetrating member to the stratum corneum, a piston mounted within the device body for impacting the penetrating member against the stratum corneum, an impact spring between the piston and the device body for providing an impact force to the piston, and a cocking mechanism for cocking and locking the piston in a cocked position by compressing the device body and piston together using a compressing force which can be easily performed with one hand.

[0012] In accordance with an additional aspect of the present invention, a device for impacting a microblade array against the stratum corneum includes a device body, a piston mounted within the device body, the piston having a microblade array applying surface, an impact spring acting between the device body and the piston to impact the stratum corneum with the microblade array, a cap movably mounted on the device body, a hold down spring acting between the device body and the cap, a cocking mechanism for cocking and locking the piston in a cocked position with one hand by compressing the device body and piston together, and a piston release for releasing the piston from the cocked position to impact the stratum corneum with the microblade array when the hold down spring is compressed.

[0013] In accordance with a further aspect of the invention, a method of cocking a device for impacting a penetrating member against the stratum corneum includes the steps of moving a piston to a cocked position with respect to a device body by compressing the piston and device body together with only one hand, and locking the piston in the cocked position with the one hand.

[0014] In accordance with an additional aspect of the invention, a method of impacting a penetrating member against the stratum corneum includes providing an impacting device having a device body, a piston, and an impact spring; cocking the impacting device using only one hand by moving the piston to a cocked position with respect to the device body and locking the piston in the cocked position; mounting a penetrating member on the piston;

and releasing the piston to impact the penetrating member against the stratum corneum.

According to a first aspect of the present invention there is provided a device for impacting a penetrating member against the stratum corneum comprising:

a body having a first end and a second end;

5 said first end being adapted to receive the penetrating member;

a piston slidably disposed within said body for impacting the penetrating member against the stratum corneum;

an impact spring adapted to provide an impact force to the piston and bias said piston out of said first end of said body; wherein said impact spring is energized when
10 said piston is further disposed within said body;

a latching mechanism adapted to reasonably engage said piston with said body by the use of single hand after said piston has been sufficiently disposed within said body; and

a releasing mechanism for disengaging said latching mechanism whereby said
15 impact spring impacts said piston against the penetrating member forcing the penetrating member into said stratum corneum.

According to a second aspect of the present invention there is provided a device for impacting a microblade array against the stratum corneum, the device comprising:

a device body;

20 a piston mounted within the device body, the piston having a microblade array applying surface;

an impact spring acting between the device body and the piston to impact the stratum corneum with the microblade;

a cap movably mounted on the device body;

25 a hold down spring acting between the device body and the cap;

a latching mechanism for locking the piston in a cocked position with one hand by compressing the device body and piston together; and

a piston release for releasing the piston from the cocked position to impact the stratum corneum with the microblade array when the hold down spring is compressed.

30 According to a third aspect of the present invention there is provided a method of cocking a device for impacting a penetrating member against the stratum corneum, the method comprising:

moving a piston to a cocked position with respect to a device body by compressing the piston and device body; and

locking the piston in the cocked position with said compressing, whereby the device can be cocked and locked using only one hand.

5 According to a fourth aspect of the present invention there is provided a method of impacting a penetrating member against the stratum corneum, the method comprising: providing an impacting device having a device body, a piston, and an impact spring;

10 cocking the impacting device using only one hand by moving the piston and the device body together to a cocked position and locking the piston in the cocked position; providing a penetrating member; mounting said penetrating member on said piston; and releasing said piston to impact the penetrating member against the stratum corneum.

15 Unless the context clearly requires otherwise, throughout the description and the claims, the words 'comprise', 'comprising', and the like are to be construed in an inclusive sense as opposed to an exclusive or exhaustive sense; that is to say, in the sense of "including, but not limited to".

BRIEF DESCRIPTION OF THE DRAWINGS

20 The invention will now be described in greater detail with reference to the preferred embodiments illustrated in the accompanying drawings, in which like elements bear like reference numerals, and wherein:

FIG. 1 is side cross sectional view of an applicator device in an initial configuration prior to cocking;

25 FIG. 2 is a side cross sectional view of the applicator device of FIG. 1 in a cocked position with a patch retainer attached to the applicator;

FIG. 3 is a side cross sectional view of the applicator device of FIG. 1 with the patch retainer of FIG. 2 after the piston has been released to apply the patch;

FIG. 4 is an exploded perspective view of the applicator device of FIG. 1;

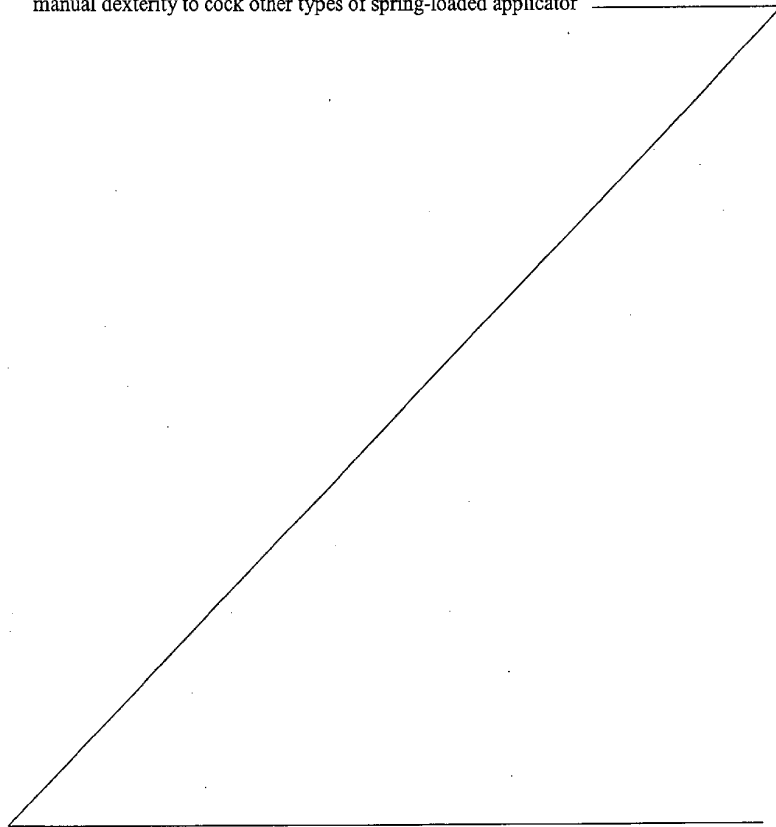
30 FIG. 5 is a perspective view of an alternative embodiment of an applicator device;

FIG. 6 is a side view, partially in section, of the applicator device of FIG. 5; and

FIG. 7 is a perspective view of a portion of one example of a microprotrusion array.

MODES FOR CARRYING OUT THE INVENTION

The applicator device of the present invention is used for repeatable impact
5 application of an array of microprotrusions to the stratum corneum in conjunction with
transdermal therapeutic agent (e.g., drug) delivery or transdermal body analyte (e.g.,
glucose) sampling. Although the applicator device 10 is described for use with a certain
type of microprotrusion array, it should be understood that the applicator device may
also be used with other types of stratum corneum micropenetrating members. The
10 applicator device can be used by patients having neither the hand strength nor the
manual dexterity to cock other types of spring-loaded applicator



devices. Further, the applicator device can be cocked and released with one-handed operation which provides certain advantages, for example, allowing a patient to apply a drug delivering microprotrusion array for local therapy on a site on the patient's own arm.

5 [0016] Turning now to the figures, FIG. 1 illustrates applicator device 10 including a device body 12 and a piston 14 movable within the device body. A cap 16 is provided on the device body 12 for activating the applicator to impact the stratum corneum with a microprotrusion array (not shown in FIG. 1). An impact spring 20 is positioned around a post 22 of the piston 14 and
10 biases the piston downward with respect to the device body 12. The piston 14 has a lower surface 18 which is substantially planar, slightly convex, or configured to a body surface (i.e., a specific skin site). The lower surface 18 of the piston 14 causes a microprotrusion array or a transdermal patch containing a microprotrusion array to impact and pierce the stratum corneum.

15 [0017] FIG. 1 shows the piston 14 in an uncocked position, while FIG. 2 shows the piston in the cocked position. When the applicator device 10 is cocked, the piston 14 is pressed up inside the device body 12 and locked in place by a locking mechanism. The locking mechanism includes a catch 26 on the post 22 and a flexible finger 28 on the device body 12 having a
20 corresponding latch 30.

[0018] As the piston 14 is moved toward the device body 12 compressing the impact spring 20, the catch 26 flexes the finger 28 and snaps over the corresponding latch 30 of the flexible finger 28. The cocking step is performed by a single compression motion which both cocks and locks the
25 piston 14 in the cocked position. This cocking step is easily performed with only one hand by compressing the applicator device 10 between a user's hand and another surface (e.g. a table top).

[0019] FIG. 2 illustrates the applicator device 10 with the piston 14 in a cocked configuration. As shown in FIG. 2, in the cocked position, the catch
30 26 and latch 30 on the piston 14 and device body 12 are releasably engaged preventing downward motion of the piston in the device body.

[0020] FIG. 2 also illustrates a patch retainer 34 mounted on the device body 12. The retainer 34 has an annular shape with a first end 40 which is

configured to engage the device body 12. A second end 42 of the retainer 34 provides a stratum corneum contacting surface. A patch 44 is mounted between the first and second ends 40, 42 of the retainer 34. The patch 44 is suspended in the retainer 34. Although the manner in which the patch 44 is mounted in the retainer 34 and the location of the mounted patch 44 within the retainer 34 may vary (for example, the patch 44 may be positioned adjacent the second end 42 of the retainer 34) it is preferred to mount patch 44 recessed some distance from both ends 40 and 42 (as shown in FIG. 1) in order to avoid inadvertent contact of the patch microprotrusions with other objects (e.g., the fingers of the user).

[0021] According to one example, the patch 44 is connected by frangible sections of patch base material to an annular ring of patch material which is adhered to the retainer ring 34. The patch 44 is separated from the retainer ring 34 by the downward force of the piston 14. Alternatively, the patch may be releasably attached to the piston 14 or positioned on the skin beneath the piston.

[0022] The applicator device 10 can be used with a patch 44 which generally includes a microprotrusion array, an agent reservoir, and a backing. However, the applicator device 10 may also be used with a microprotrusion array without an agent reservoir. In this case, the microprotrusion array is used as a pretreatment which is followed by the application of an agent with a separate transdermal agent delivery or sampling device. Alternatively, the microprotrusion array may incorporate the agent as a coating on the microprotrusions, e.g. for delivering a vaccine intradermally. The application device 10 may also be used for impacting other micropiercing elements against the stratum corneum, for example those disclosed in Godshall et al, U.S. Patent 5,879,326 and Zuck WO 99/29364, the disclosures of which are incorporated by reference herein.

[0023] In addition to being able to cock the device 10 with only one hand, device 10 is also designed to be operated (i.e., to cause release of the spring-loaded piston 14 and thus causing the patch 44 to impact the skin) using only one hand. The activation of the applicator device 10 by releasing the locking mechanism is performed by downward force applied to the applicator cap 16

while the second end 42 of the applicator device is held against the skin. The cap 16 is biased upwards by a hold down spring 24 which is positioned between the device body 12 and the cap. The cap 16 includes a pin 46 extending downward from the cap. When the cap 16 is pressed downward against the bias of the hold down spring 24, the pin 46 contacts a ramp 48 on the flexible finger 28 moving the flexible finger outward and disengaging the latch 30 of the flexible finger 28 from the catch 26. This releases the piston 14 and the piston moves downward impacting the stratum corneum with the patch 44.

10 **[0024]** FIG. 3 illustrates the applicator device 10 after the device has been released and a patch has been applied to the stratum corneum. The hold down spring 24 is selected such that a predetermined hold down force must be achieved before the device is released. The hold down force causes the stratum corneum to be stretched by the second end 42 of the retainer 34 so that the skin is under optimal tension at the time the patch 44 impacts the skin. The hold down force applied by the hold down spring 24 is preferably selected to cause the second end 42 to apply a tension to the skin in the range of about 0.01 to 10 megapascals (MPa), more preferably about 0.05 to 2 MPa.

20 **[0025]** A balance between the hold down spring 24 and the impact spring 20 allows the cocking of the piston 14 by pressing on the cap 16 without causing the finger 46 to release the locking mechanism. The impact spring 20 is selected to achieve a predetermined impact which is appropriate for a particular patch to provide the desired penetration. The selection of the impact and hold down springs is described further in U.S. Provisional Patent Application Serial No. 60/240,307 filed on even date herewith, which is incorporated herein by reference in its entirety.

25 **[0026]** The retainer 34 is attached to the device body 12 after cocking of the piston 14. The retainer 34 is attached by a snap in connection requiring less force to snap in than the force required to release the piston. The retainer 34 may also be attached to the device body by a bayonett fitting or a slide-on fitting which allows the retainer 34 to slide into the device body 12 in a direction normal to the axis of the applicator.

[0027] FIG. 4 illustrates the cap 16, device body 12, and piston 14 in an exploded perspective view. As shown in FIG. 4, the piston 14 includes piston retainer tabs 52 which engage a lower rim 54 (FIG. 3) of the device body 12 and prevent the piston from being expelled from the device body. In addition, 5 the cap 16 includes retainer tabs (not shown) which similarly engage an upper rim 58 (FIG. 3) of the device body 12 and prevent the cap from coming off of the body.

[0028] FIG. 4 also illustrates an optional rotational locking arrangement which allows the cap 16 to be rotated to a locked position at which activation 10 of the applicator is not possible because the pin 46 is not aligned with the flexible finger 28. An indication of the locked or unlocked position of the cap 16 is provided through a window 60 in the cap. When the cap 16 is at positions other than the unlocked position, the pin 46 is not aligned with the ramp 48 on the flexible finger 28 and thus, the applicator cannot be released. 15 While this optional locking feature prevents inadvertent activation of the applicator device 10, the relative rotational motion of the body 12 and the cap 16 generally requires the use of both hands, which in some cases is less desirable.

[0029] FIGS. 5 and 6 illustrate an alternative embodiment of an applicator 20 80 having a different shape and somewhat different cocking arrangement which also achieves the desired result of simple one handed cocking operation. According to this embodiment, the user grasps an outer cylinder 81 which acts as a handle for the device. A piston 82 is slidably engaged within the cylinder 81. An impact spring 83, shown in compression in FIG. 6 25 biases the piston 82 away from the top or skin distal end of cylinder 81. A releasable catch mechanism 84 (not shown in detail in FIG. 6) is provided whereby depression of button 85 causes latch 86 to retract thereby enabling compressed spring 83 to move piston 82 downwardly (i.e., in a direction towards the skin). Slidably engaging the skin proximal end of cylinder 81 is 30 a middle housing 87 having an indicator notch 96. Threaded to housing 87 is lower housing 88 which has a generally annular shape. A retainer 93, whose function is described in detail in U.S. Provisional Patent Application Serial No. 60/240,379 filed on even date herewith and incorporated herein by reference

is screwed onto the skin proximal end of cylinder 81. Within retainer 93 is an impact head 94 which is attached to piston 82. Impact head 94 is adapted to hold, on its skin proximal surface, a patch having a plurality of microprotrusions (the patch is not shown in FIG. 6). A hold down spring 95, shown in compression in FIG. 6, is provided between cylinder 81 and middle housing 87. Hold down spring 95 compresses when the user grabs cylinder 81, places edge 89 against the skin site to be pierced, and presses the device 80 against the skin site. As spring 95 is compressed, notch 96 becomes aligned with the lower edge of band 97. In this alignment, the hold down spring 95 is in a predetermined compression which provides the necessary hold down force and skin stretching at edge 89. Once the notch 96 is aligned with the lower edge of band 97, the operator simply presses button 85, which releases latch 86 which in turn releases piston 82 and head 94, causing head 94 to impact the microprotrusion member against the patient's skin.

[0030] The applicator devices 10 and 80, according to the present invention have been described with respect to an upright orientation in which the patch 44 is applied from a piston side of the device which is illustrated at the bottom/skin proximal end of the devices in the figures. It should be understood that the applicator devices may be used in other orientations (i.e., sideways and upside down) as long as the device is properly oriented against the skin site to be pierced.

[0031] FIG. 7 illustrates one embodiment of a stratum corneum penetrating member for use with the present invention. FIG. 7 shows a plurality of microprotrusions in the form of microblades 90. The microblades 90 extend at a substantially 90° angle from a metal sheet 92 having openings 94. The sheet 92 may be incorporated in an agent delivery patch or an agent sampling patch which includes an agent reservoir and an adhesive for adhering the patch to the stratum corneum. Examples of agent delivery and sampling patches which incorporate a microprotrusion array are found in WO 97/48440, WO 97/48441, WO 97/48442. The microprotrusion array of FIG. 7 without a reservoir may also be applied alone as a skin pretreatment.

[0032] The term "microprotrusion" as used herein refers to very tiny stratum corneum piercing elements typically having a length of less than 500

μm, and preferably less than 250 μm, which pierce through the stratum corneum into the underlying epidermis layer, or epidermis and dermis layers. However, the microprotrusions should not penetrate so deep into the dermis layer as to cause bleeding. In order to penetrate the stratum corneum, the
5 microprotrusions preferably have a length of at least 10 μm, more preferably at least 50 μm. In general, microprotrusions penetrate the skin to a depth of no more than about 500 μm and preferably less than about 400 μm. The microprotrusions may be formed in different shapes, such as needles, hollow needles, blades, pins, punches, and combinations thereof.

10 **[0033]** The term "microprotrusion array" as used herein refers to a plurality of microprotrusions arranged in an array for piercing the stratum corneum. The microprotrusion array may be formed by cutting a plurality of blades from a thin metal sheet and folding each of the blades out of the plane of the sheet to form the configuration shown in FIG. 7. The microprotrusion array may
15 also be formed in other known manners, such as by connecting multiple strips having microprotrusions along an edge of each of the strips. The microprotrusion array may include hollow needles which inject a liquid formulation.

[0034] Examples of microprotrusion arrays are described in U.S. Patent
20 Nos. 5,879,326 issued to Godshall, et al., 3,814,097 issued to Ganderton, et al., 5,279,544 issued to Gross, et al., 5,250,023 issued to Lee, et al., 3,964,482 issued to Gerstel, et al., Reissue 25,637 issued to Kravitz, et al., and PCT Publication Nos. WO 96/37155, WO 96/37256, WO 96/17648, WO 97/03718, WO 98/11937, WO 98/00193, WO 97/48440, WO 97/48441,
25 WO 97/48442, WO 98/00193, WO 99/64580, WO 98/28037, WO 98/29298, and WO 98/29365, all of which are incorporated herein by reference in their entirety.

[0035] The device of the present invention can be used in connection with agent delivery, agent sampling, or both. In particular, the device of the
30 present invention is used in connection with transdermal drug delivery, transdermal analyte (e.g., glucose) sampling, or both. Transdermal delivery devices for use with the present invention include, but are not limited to

passive devices, osmotic devices, pressure-driven devices, and electrotransport devices. Transdermal sampling devices for use with the present invention include, but are not limited to, passive devices, negative pressure driven devices, osmotic devices, and reverse electrotransport devices. The transdermal devices of the present invention may be used in combination with other methods of increasing agent flux, such as skin permeation enhancers.

[0036] The device of the present invention may be used with a microprotrusion array included in a transdermal delivery or sampling patch having adhesive for attaching the patch to the skin. Alternatively, the microprotrusion array and delivery or sampling patch may be two separate elements with the microprotrusion array used for pretreatment prior to application of the delivery or sampling patch.

[0037] While the invention has been described in detail with reference to the preferred embodiments thereof, it will be apparent to one skilled in the art that various changes and modifications can be made and equivalents employed, without departing from the present invention.

THE CLAIMS DEFINING THE INVENTION ARE AS FOLLOWS:-

1. A device for impacting a penetrating member against the stratum corneum comprising:
 - a body having a first end and a second end;
 - 5 said first end being adapted to receive the penetrating member;
 - a piston slidably disposed within said body for impacting the penetrating member against the stratum corneum;
 - an impact spring adapted to provide an impact force to the piston and bias said piston out of said first end of said body; wherein said impact spring is energized when
 - 10 said piston is further disposed within said body;
 - a latching mechanism adapted to releasably engage said piston with said body by the use of single hand after said piston has been sufficiently disposed within said body; and
 - a releasing mechanism for disengaging said latching mechanism whereby said
 - 15 impact spring impacts said piston against the penetrating member forcing the penetrating member into said stratum corneum.
2. The device of Claim 1, wherein the latching mechanism includes interengaging latch members on the body and piston.
3. The device of Claim 2 further including a flexible finger on said body and a stop
- 20 on said piston wherein said flexible finger and said stop comprise said interengaging latch members.
4. The device of Claim 1, wherein said releasing mechanism is adapted to release said piston after a force is exerted upon said releasing mechanism.
5. The device of Claim 4, wherein said piston releasing mechanism is adapted to
- 25 allow one handed operation of said mechanism.
6. The device of Claim 4, further comprising a cap movably mounted on said body for activating the releasing mechanism when said cap is moved onto said body.

7. The device of Claim 6 further comprising a hold down spring disposed between the body and the cap for resisting the activation of the release mechanism until said hold down spring has been sufficiently energized such that said hold down spring exerts a predetermined hold down force.
- 5 8. The device of Claim 6 further comprising a lock mechanism for preventing movement of said cap relative to said body whereby activation of the release mechanism is prevented.
9. The device of Claim 8 further comprising an indicator for indicating when said cap is in said locked position.
- 10 10. The device of Claim 1, wherein said latching mechanism automatically locks said piston in a cocked position with respect to said body when said piston has been sufficiently disposed within said body.
11. The device of Claim 1 wherein said piston includes an application surface having a shape and size which provides for an effective application of the specific patch to be
15 impacted.
12. The device of Claim 11 wherein said application surface has a shape selected from the group consisting of a convex shape, a substantially planar shape and a shape configured to mate with a predetermined body surface site.
13. A device for impacting a microblade array against the stratum corneum, the
20 device comprising:
a device body;
a piston mounted within the device body, the piston having a microblade array applying surface;
an impact spring acting between the device body and the piston to impact the
25 stratum corneum with the microblade;
a cap movably mounted on the device body;
a hold down spring acting between the device body and the cap;

a latching mechanism for locking the piston in a cocked position with one hand by compressing the device body and piston together; and

a piston release for releasing the piston from the cocked position to impact the stratum corneum with the microblade array when the hold down spring is compressed.

5 14. The device of Claim 13, wherein the piston release comprises a release finger.

15. The device of Claim 14, wherein the latching mechanism comprises a flexible finger and a stop.

16. The device of Claim 13, wherein the hold down spring resists the activation of the piston release until a predetermined hold down force is reached.

10 17. A method of cocking a device for impacting a penetrating member against the stratum corneum, the method comprising:

moving a piston to a cocked position with respect to a device body by compressing the piston and device body; and

locking the piston in the cocked position with said compressing, whereby the
15 device can be cocked and locked using only one hand.

18. The method of Claim 17, wherein the piston is cocked by moving the piston along a device axis and the piston is deployed by depressing an activating cap along the device axis.

19. The method of Claim 17, wherein the piston is locked in the cocked position
20 automatically.

20. The method of Claim 17, wherein the piston is locked in the cocked position manually.

21. A method of impacting a penetrating member against the stratum corneum, the method comprising:

25 providing an impacting device having a device body, a piston, and an impact spring;

cocking the impacting device using only one hand by moving the piston and the device body together to a cocked position and locking the piston in the cocked position; providing a penetrating member; mounting said penetrating member on said piston; and
5 releasing said piston to impact the penetrating member against the stratum corneum.

22. A device for impacting a penetrating member against the stratum corneum, substantially as herein described with reference to any one or more of the embodiments of the invention illustrated in the accompanying drawings and/or examples.

10 23. A device for impacting a microblade array against the stratum corneum, substantially as herein described with reference to any one or more of the embodiments of the invention illustrated in the accompanying drawings and/or examples.

24. A method of cocking a device for impacting a penetrating member against the stratum corneum, substantially as herein described with reference to any one or more of
15 the embodiments of the invention illustrated in the accompanying drawings and/or examples.

25. A method of impacting a penetrating member against the stratum corneum, substantially as herein described with reference to any one or more of the embodiments of the invention illustrated in the accompanying drawings and/or examples.

20 DATED this 31st day of OCTOBER 2005
Shelston IP
Attorneys for: ALZA CORPORATION

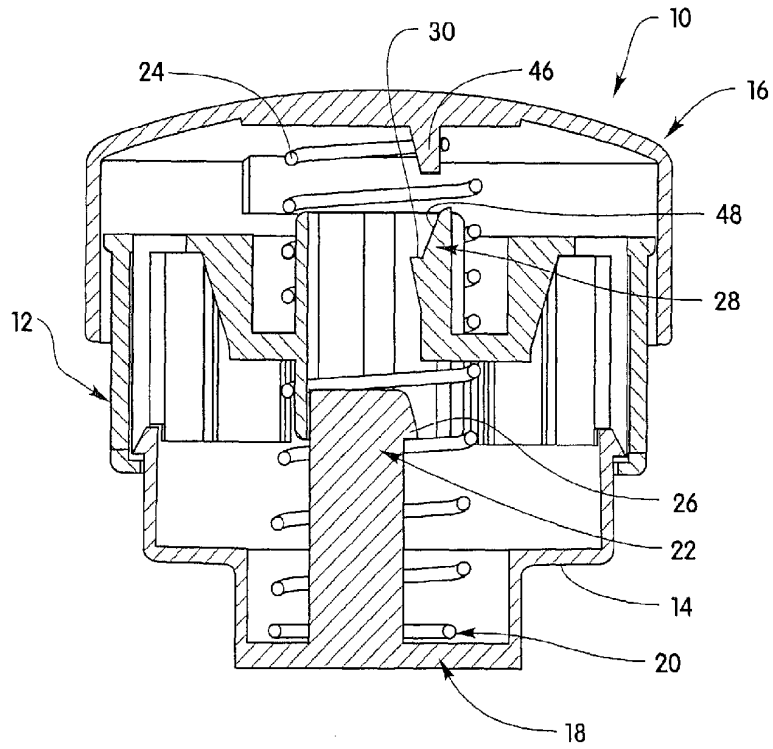


FIG. 1

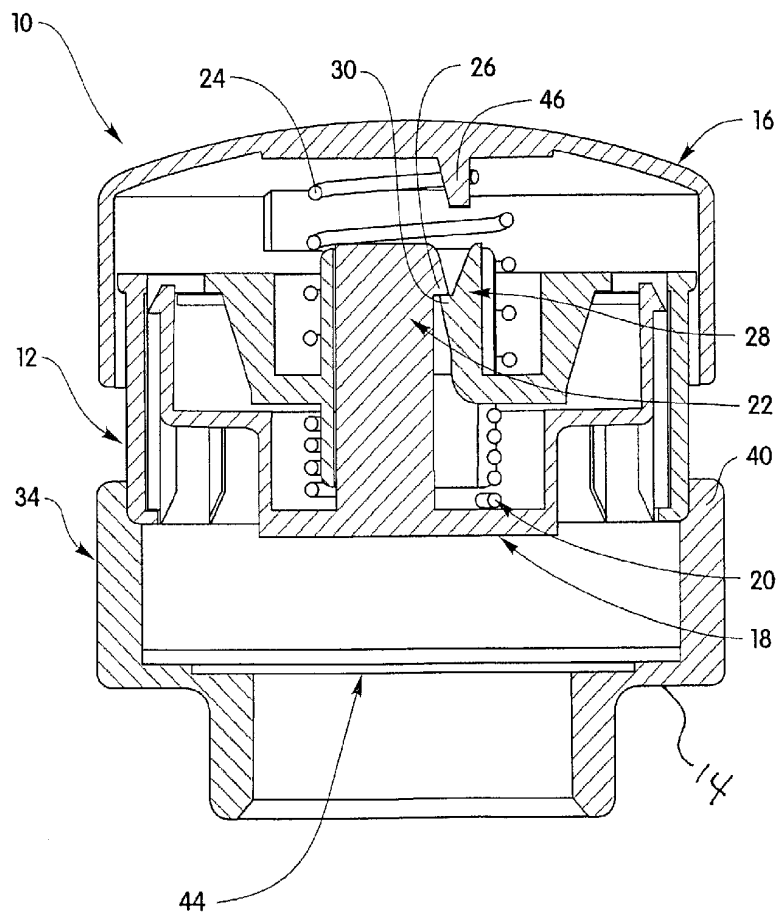


FIG. 2

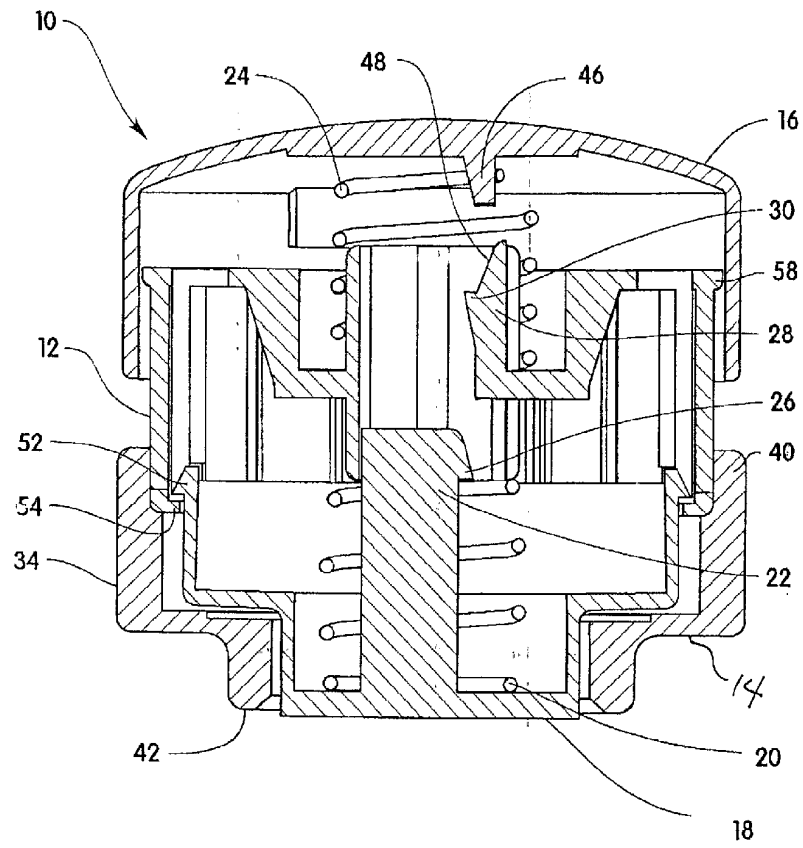


FIG. 3

4 / 7

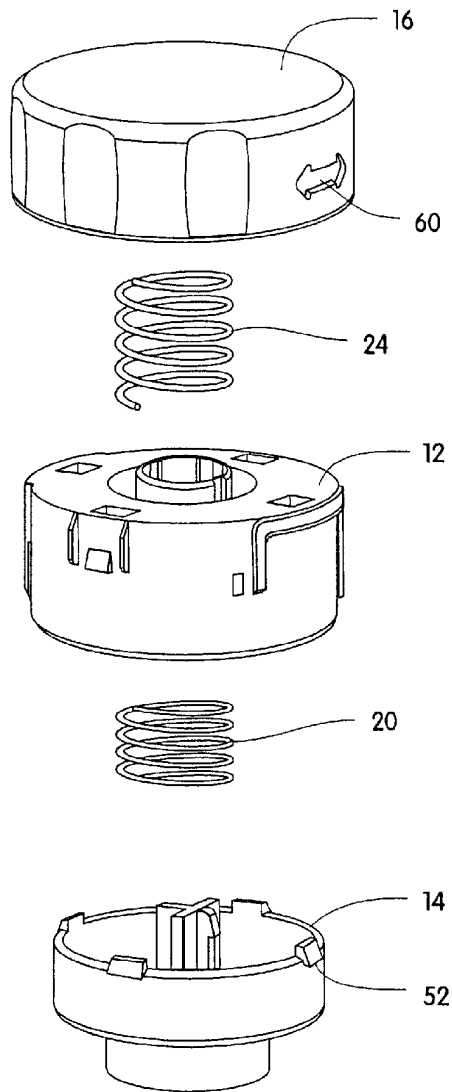


FIG. 4

5 / 7

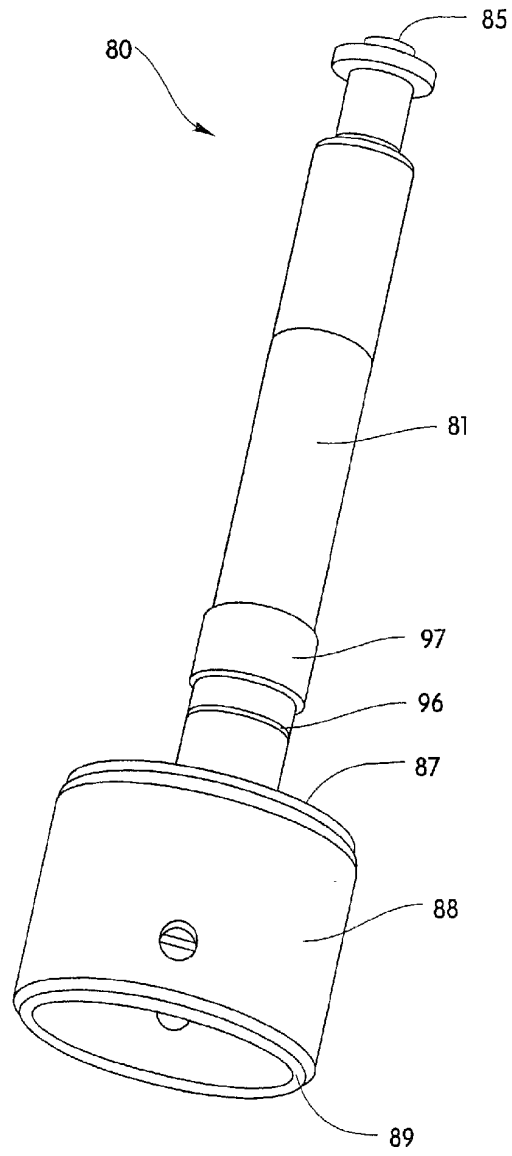


FIG. 5

6 / 7

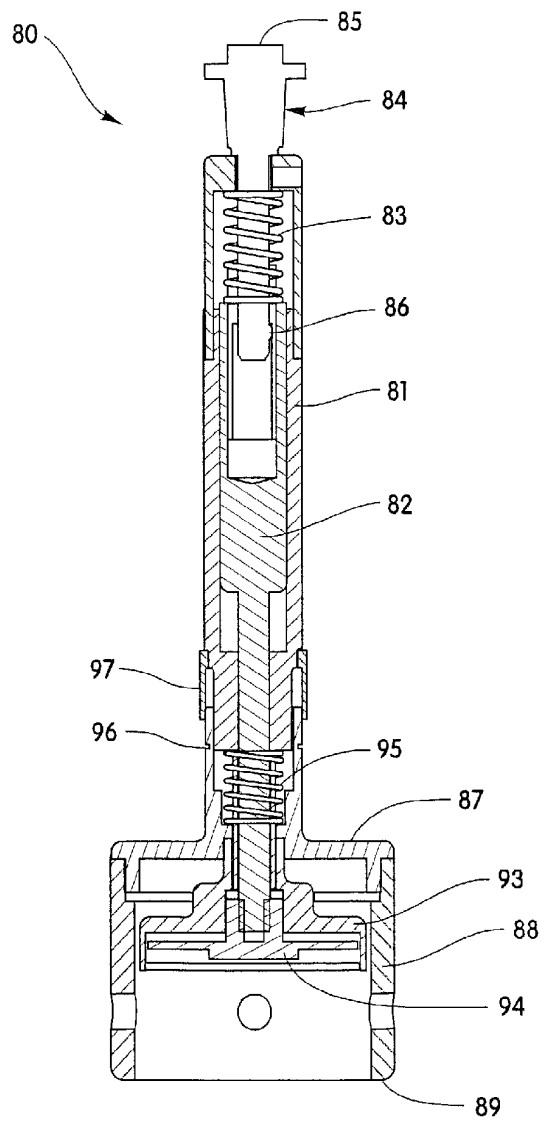


FIG. 6

1/1

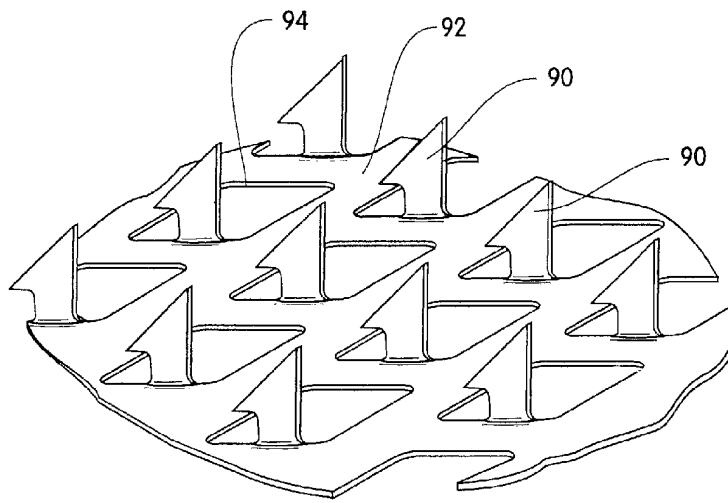


FIG. 7