



US00D540792S

(12) **United States Design Patent**  
**Wang**

(10) **Patent No.:** **US D540,792 S**

(45) **Date of Patent:** **\*\* Apr. 17, 2007**

(54) **CASE FOR EXTERNAL DATA STORAGE MEDIA**

(75) Inventor: **Chia-Jen Wang**, Taipei Hsien (TW)

(73) Assignee: **Datator Technology Co., Ltd.**, Taipei Hsien (TW)

(\*\*) Term: **14 Years**

(21) Appl. No.: **29/254,495**

(22) Filed: **Feb. 23, 2006**

(30) **Foreign Application Priority Data**

Aug. 25, 2005 (TW) ..... 94305127

(51) **LOC (8) Cl.** ..... **14-02**

(52) **U.S. Cl.** ..... **D14/356**

(58) **Field of Classification Search** ..... D14/242,  
D14/496, 125, 240, 135-6, 167, 300-2, 314,  
D14/341, 356-8, 362-70, 383, 385, 348,  
D14/353, 156; D13/103; 220/4.02; 361/679,  
361/683-6; 379/413.04

See application file for complete search history.

(56) **References Cited**

**U.S. PATENT DOCUMENTS**

D322,777 S \* 12/1991 Nishio ..... D14/314  
5,627,450 A \* 5/1997 Ryan et al. .... 361/686  
D381,330 S \* 7/1997 Kaufman et al. .... D14/496

D402,979 S \* 12/1998 Ogasawara ..... D14/136  
6,129,237 A \* 10/2000 Miyahara ..... 220/812  
6,430,038 B1 \* 8/2002 Helot et al. .... 361/681  
D486,480 S \* 2/2004 Tanaka ..... D14/242  
D494,165 S \* 8/2004 Yokota ..... D14/341  
D502,465 S \* 3/2005 Laity et al. .... D14/242  
D505,428 S \* 5/2005 Yagihashi ..... D14/496  
D510,729 S \* 10/2005 Chen et al. .... D14/125  
D518,471 S \* 4/2006 Deguchi ..... D14/167  
D530,709 S \* 10/2006 Bang et al. .... D14/240

\* cited by examiner

*Primary Examiner*—Robin Webster

*Assistant Examiner*—Karen E. Patterson

(74) *Attorney, Agent, or Firm*—Ladas & Parry LLP

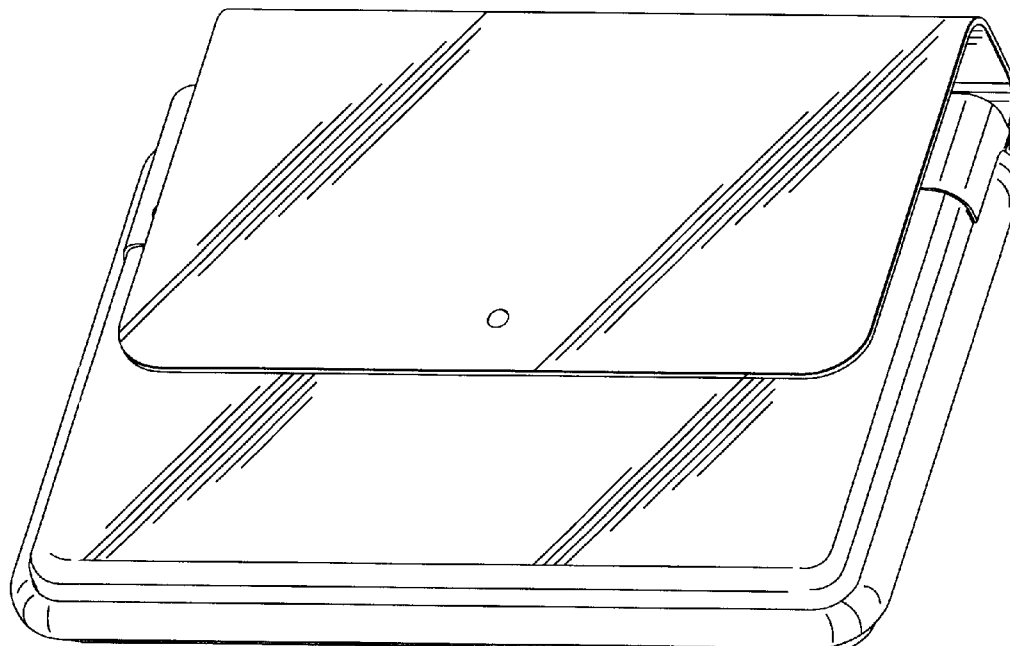
(57) **CLAIM**

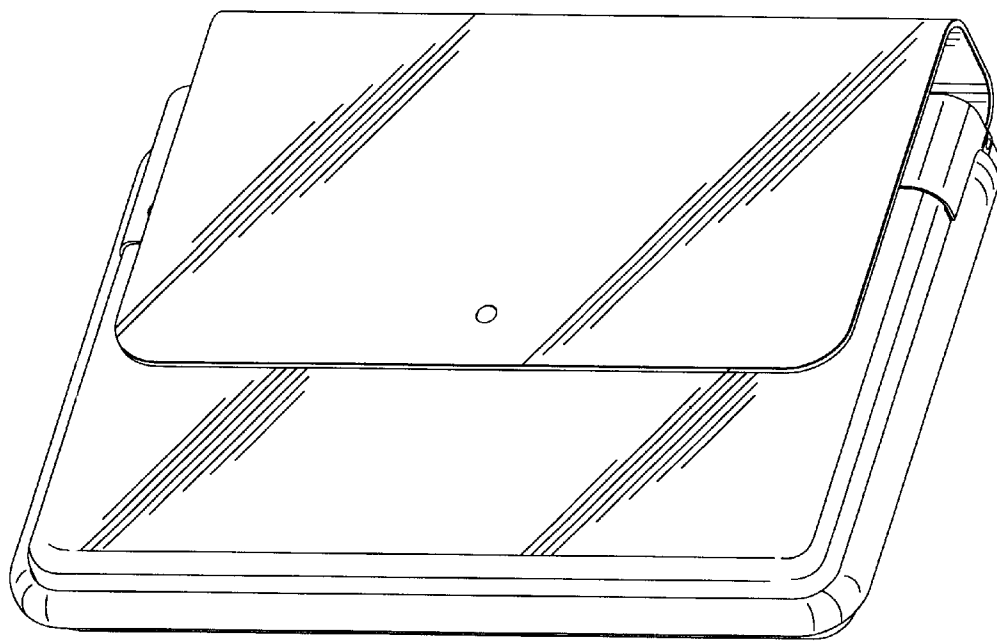
The ornamental design for case for external data storage media, as shown and described.

**DESCRIPTION**

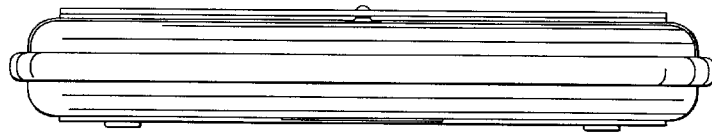
FIG. 1 is a perspective view of case for external data storage media showing my new design;  
FIG. 2 is a front elevational view thereof;  
FIG. 3 is a rear elevational view thereof;  
FIG. 4 is a left side elevational view thereof;  
FIG. 5 is a right side elevational view thereof;  
FIG. 6 is a top plan view thereof; and,  
FIG. 7 is a bottom plan view thereof.

**1 Claim, 3 Drawing Sheets**

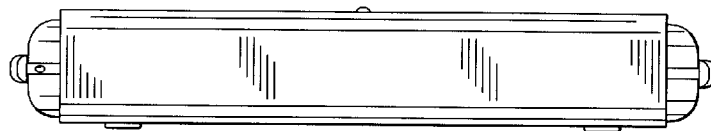




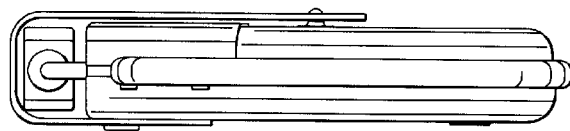
F I G. 1



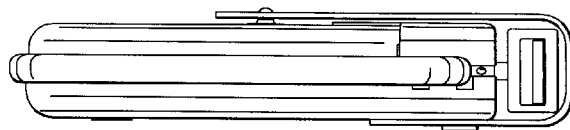
F I G. 2



F I G. 3



F I G. 4



F I G. 5

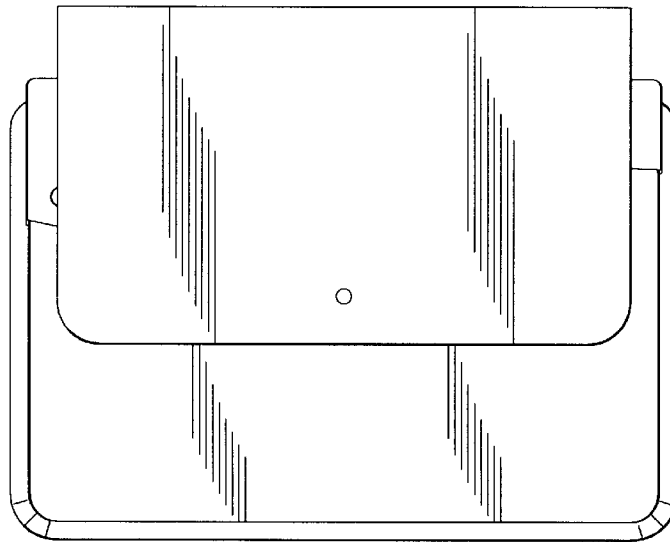


FIG. 6

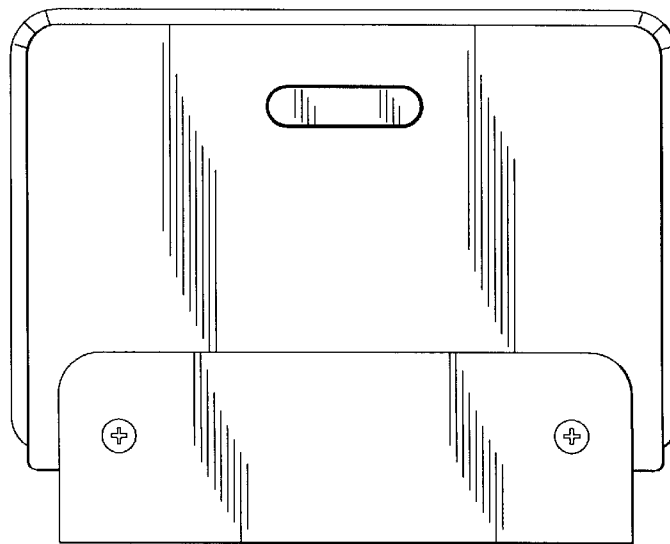


FIG. 7