

(19) World Intellectual Property Organization
International Bureau



(43) International Publication Date
29 August 2002 (29.08.2002)

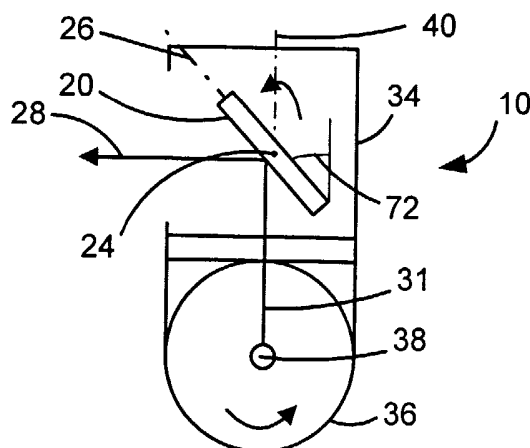
PCT

(10) International Publication Number
WO 02/067573 A3

- (51) International Patent Classification⁷: H04N 5/225, 3/08
- (21) International Application Number: PCT/US02/04755
- (22) International Filing Date: 14 February 2002 (14.02.2002)
- (25) Filing Language: English
- (26) Publication Language: English
- (30) Priority Data:
09/785,150 16 February 2001 (16.02.2001) US
- (71) Applicant: RAYTHEON COMPANY [US/US]; 2000 East El Segundo Boulevard, P.O. Box 902, El Segundo, CA 90245 (US).
- (72) Inventor: ANSLEY, David, A.; 41 Santa Ana Avenue, Long Beach, CA 90803 (US).
- (74) Agents: RAUFER, Colin, A. et al.; Raytheon Company, 2000 East El Segundo Boulevard, P.O. Box 902, El Segundo, CA 90245 (US).
- (81) Designated States (national): AU, CA, CN, ES, IL, JP, KR, MX, NO, RU, SE, SG, TR.
- (84) Designated States (regional): European patent (AT, BE, CH, CY, DE, DK, ES, FI, FR, GB, GR, IE, IT, LU, MC, NL, PT, SE, TR).
- Published:
— with international search report
- (88) Date of publication of the international search report:
27 February 2003

For two-letter codes and other abbreviations, refer to the "Guidance Notes on Codes and Abbreviations" appearing at the beginning of each regular issue of the PCT Gazette.

(54) Title: GIMBALED MIRROR MOUNT FOR SCANNING SYSTEM AND METHOD



(57) Abstract: A scanning system (10) and a method permit scanning a desired field-of-view within a maximized field-of-regard at a constant speed without reversing the scan direction about a primary axis (38). The system includes mirror (20) which rotates about the primary axis (38). The mirror (20) is supported for rotation about a flip axis (40) which is perpendicular to the primary axis (38). Rotation of the mirror (20) about the primary axis (38) is divided into a scan period during which the field-of-view is scanned by the mirror (20), and a flip period during which the mirror (20) rotates about the flip axis (40). The mirror (20) is mounted in a gimbal for independent rotation about a secondary axis (24) which is parallel to the primary axis (38). Rotation of the mirror (20) about the secondary axis (24) provides an adjustment of the mirror orientation such that at the end of the scan period the mirror (20) faces the end of the field-of-view, and at the end of the flip period the mirror (20) faces the beginning of the field-of-view.

WO 02/067573 A3

INTERNATIONAL SEARCH REPORT

International Application No
PCT/US 02/04755

A. CLASSIFICATION OF SUBJECT MATTER
IPC 7 H04N5/225 H04N3/08

According to International Patent Classification (IPC) or to both national classification and IPC

B. FIELDS SEARCHED

Minimum documentation searched (classification system followed by classification symbols)
IPC 7 H04N

Documentation searched other than minimum documentation to the extent that such documents are included in the fields searched

Electronic data base consulted during the international search (name of data base and, where practical, search terms used)

EPO-Internal, PAJ

C. DOCUMENTS CONSIDERED TO BE RELEVANT

Category *	Citation of document, with indication, where appropriate, of the relevant passages	Relevant to claim No.
X	US 5 867 317 A (LE CARDINAL JEAN-YVES ET AL) 2 February 1999 (1999-02-02) column 1, line 4-65; figure 1	1-10
A	US 4 386 848 A (CLENENIN RALPH M ET AL) 7 June 1983 (1983-06-07) column 2, line 48-52; figure 2	1-10

Further documents are listed in the continuation of box C.

Patent family members are listed in annex.

* Special categories of cited documents :

- *A* document defining the general state of the art which is not considered to be of particular relevance
- *E* earlier document but published on or after the international filing date
- *L* document which may throw doubts on priority claim(s) or which is cited to establish the publication date of another citation or other special reason (as specified)
- *O* document referring to an oral disclosure, use, exhibition or other means
- *P* document published prior to the international filing date but later than the priority date claimed

- *T* later document published after the international filing date or priority date and not in conflict with the application but cited to understand the principle or theory underlying the invention
- *X* document of particular relevance; the claimed invention cannot be considered novel or cannot be considered to involve an inventive step when the document is taken alone
- *Y* document of particular relevance; the claimed invention cannot be considered to involve an inventive step when the document is combined with one or more other such documents, such combination being obvious to a person skilled in the art.
- * & * document member of the same patent family

Date of the actual completion of the international search

Date of mailing of the international search report

11 September 2002

18/09/2002

Name and mailing address of the ISA
European Patent Office, P.B. 5818 Patentlaan 2
NL - 2280 HV Rijswijk
Tel. (+31-70) 340-2040, Tx. 31 651 epo nl,
Fax: (+31-70) 340-3016

Authorized officer

Wahba, A

INTERNATIONAL SEARCH REPORT

Information on patent family members

In International Application No PCT/US 02/04755
--

Patent document cited in search report	A	Publication date	Patent family member(s)	Publication date
US 5867317	A	02-02-1999	FR 2738925 A1	21-03-1997
			GB 2305522 A ,B	09-04-1997
			NL 1004073 C2	20-03-1997
			NL 1004073 A1	20-03-1997
			NO 963934 A	20-03-1997
US 4386848	A	07-06-1983	BE 889937 A1	01-12-1981
			DE 3175768 D1	05-02-1987
			DK 161282 A	07-04-1982
			EP 0057235 A1	11-08-1982
			IL 63544 A	31-07-1986
			IT 1137866 B	10-09-1986
			NO 821188 A ,B,	07-04-1982
			WO 8200515 A1	18-02-1982