



US00D432677S

# United States Patent [19]

[11] Patent Number: **Des. 432,677**

Habeck et al.

[45] Date of Patent: **\*\* Oct. 24, 2000**

[54] **J-CHANNEL GLIDER FRAME FOR SINGLE GLIDER WINDOW**

[56] **References Cited**

[75] Inventors: **Jerome Carl Habeck**, Holt; **Dennis C. Westphal**, Parma, both of Mich.; **David S. Levine**, King of Prussia; **Stanley Gursky**, Yardley, both of Pa.

### U.S. PATENT DOCUMENTS

D. 407,506 3/1999 Hersh et al. .... D25/124  
4,028,849 6/1977 Anderson ..... 49/181

[73] Assignee: **CertainTeed Corporation**, Valley Forge, Pa.

*Primary Examiner*—Doris Clark  
*Attorney, Agent, or Firm*—Duane Morris & Heckscher, LLP

[\*\*] Term: **14 Years**

[57] **CLAIM**

The ornamental design for a J-channel glider frame for single glider window, as shown and described.

[21] Appl. No.: **29/118,721**

### DESCRIPTION

[22] Filed: **Feb. 14, 2000**

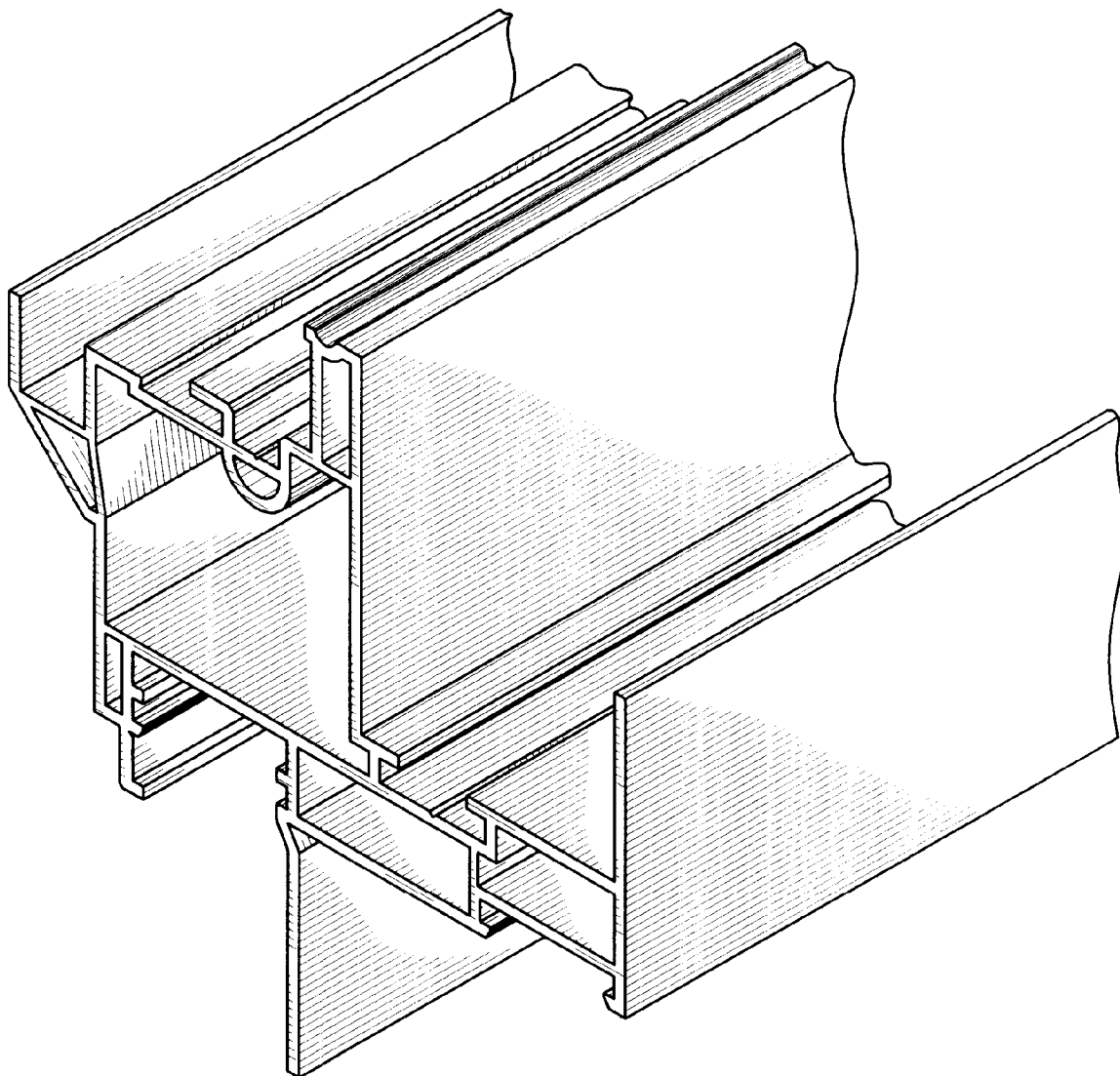
The FIGURE is a front perspective view of a J channel glider frame for single glider window showing our new design, the rear perspective view being a mirror image thereof, and is shown fragmented indicating indefinite length.

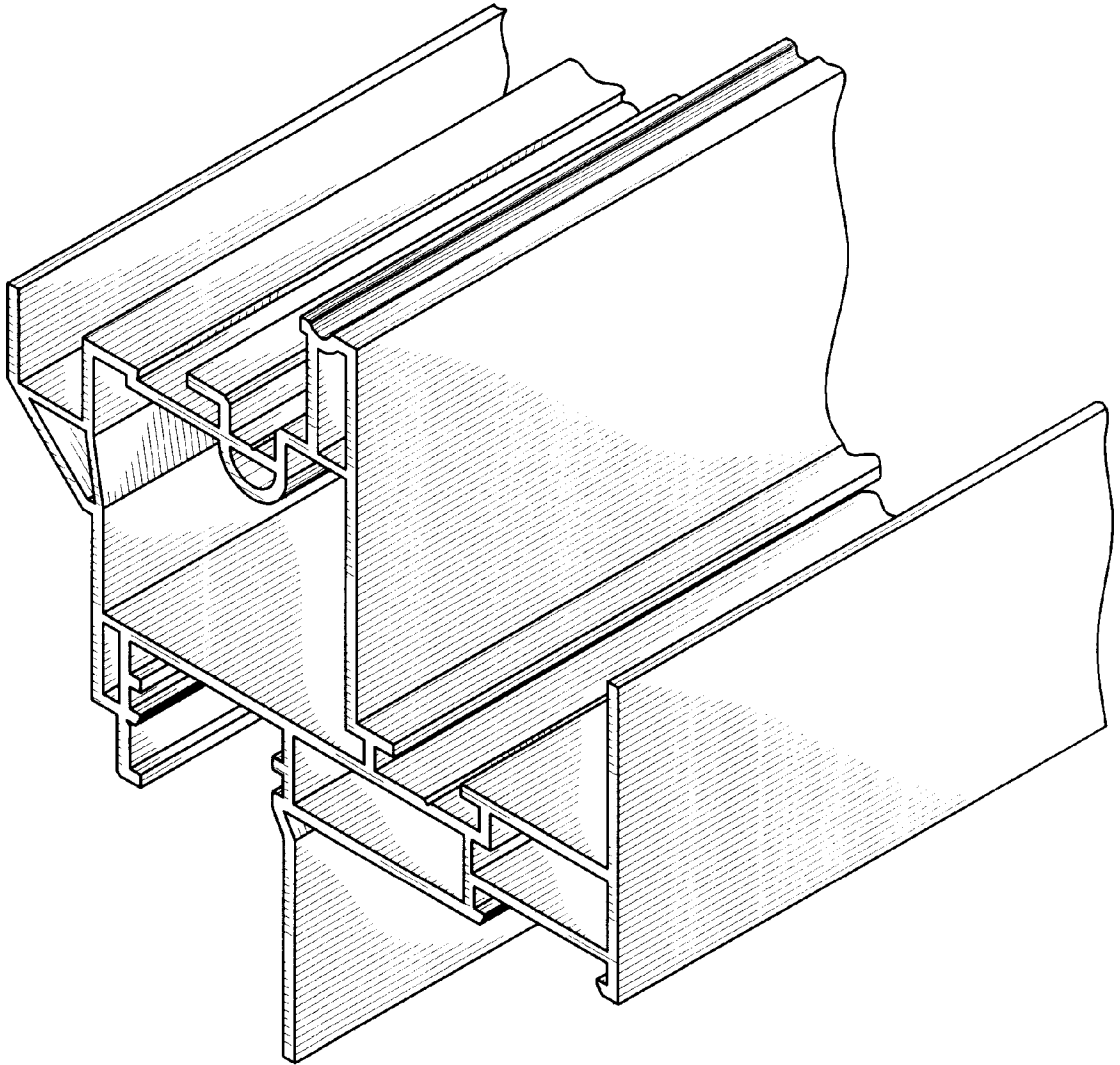
[51] **LOC (7) Cl.** ..... **25-01**

[52] **U.S. Cl.** ..... **D25/124**

[58] **Field of Search** ..... D25/60, 52, 124,  
D25/125; 49/504, 446, 454, 453, 455, 181,  
489, 485

**1 Claim, 1 Drawing Sheet**





THE FIGURE