



US00D883949S

(12) **United States Design Patent**  
**Hu**

(10) **Patent No.:** **US D883,949 S**

(45) **Date of Patent:** **\*\* May 12, 2020**

- (54) **HEADPHONE**
- (71) Applicant: **SHENZHEN QIANHAI PATUOXUN NETWORK AND TECHNOLOGY CO., LTD**, Shenzhen (CN)
- (72) Inventor: **Zaihui Hu**, Shenzhen (CN)
- (73) Assignee: **SHENZHEN QIANHAI PATUOXUN NETWORK AND TECHNOLOGY CO., LTD**, Shenzhen (CN)
- (\*\*) Term: **15 Years**

|           |   |   |         |           |       |           |
|-----------|---|---|---------|-----------|-------|-----------|
| 4,037,064 | A | * | 7/1977  | Yasuda    | ..... | H04R 1/08 |
|           |   |   |         |           |       | 381/26    |
| D246,259  | S | * | 11/1977 | Nishimura | ..... | D14/205   |
| D246,519  | S | * | 11/1977 | Kato      | ..... | D14/205   |
| D254,183  | S | * | 2/1980  | Doodson   | ..... | D14/205   |
| D262,019  | S | * | 11/1981 | Upshaw    | ..... | D14/205   |
| D272,904  | S | * | 3/1984  | Kawano    | ..... | D14/205   |
| D292,205  | S | * | 10/1987 | Kikutani  | ..... | 381/378   |
| D301,145  | S | * | 5/1989  | Besasie   | ..... | D14/205   |
| D328,461  | S | * | 8/1992  | Daido     | ..... | D14/205   |
| D353,817  | S | * | 12/1994 | Wada      | ..... | D14/205   |
| D431,550  | S | * | 10/2000 | Yoneda    | ..... | D14/205   |
| D453,015  | S | * | 1/2002  | Yuyama    | ..... | D14/192   |
| D484,485  | S | * | 12/2003 | Matsuoka  | ..... | D14/205   |

(Continued)

(21) Appl. No.: **29/712,959**

**FOREIGN PATENT DOCUMENTS**

- (22) Filed: **Nov. 13, 2019**
- (51) **LOC (12) Cl.** ..... **14-01**
- (52) **U.S. Cl.**  
USPC ..... **D14/205**
- (58) **Field of Classification Search**  
USPC ..... D14/205, 223; D29/112; 2/209;  
181/129, 130, 135; 379/430, 431;  
381/380, 381, 374; 455/90.3, 575.1,  
455/569.1  
CPC .... H04R 1/1066; H04R 1/1016; H04R 25/00;  
H04R 5/033; H04R 5/0335; H04R  
1/1091; H04R 1/1083  
See application file for complete search history.

|    |           |   |         |
|----|-----------|---|---------|
| CN | 304908448 | * | 11/2018 |
| CN | 305446746 | * | 11/2019 |

(Continued)

*Primary Examiner* — Paula Allen Greene

(57) **CLAIM**

The ornamental design for headphone, as shown and described.

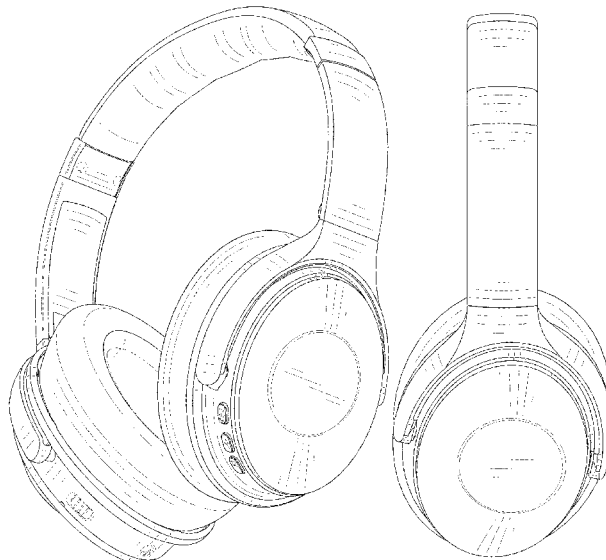
**DESCRIPTION**

FIG. 1 is a perspective view of headphone showing my new design;  
 FIG. 2 is another perspective view thereof;  
 FIG. 3 is a front elevational view thereof;  
 FIG. 4 is a rear elevational view thereof;  
 FIG. 5 is a left side elevational view thereof;  
 FIG. 6 is a right side elevational view thereof;  
 FIG. 7 is a top plan view thereof; and,  
 FIG. 8 is a bottom plan view thereof.  
 In the drawing the claimed is defined by the shaded surfaces;  
 the broken lines depict unclaimed environment that forms no  
 part of the claimed design.

(56) **References Cited**  
**U.S. PATENT DOCUMENTS**

|           |   |   |        |            |       |             |
|-----------|---|---|--------|------------|-------|-------------|
| 3,122,613 | A | * | 2/1964 | Gongoll    | ..... | H04R 1/1008 |
|           |   |   |        |            |       | 381/371     |
| 3,272,926 | A | * | 9/1966 | Falkenberg | ..... | H04R 1/1008 |
|           |   |   |        |            |       | 381/372     |
| D229,833  | S | * | 1/1974 | Becker     | ..... | D14/205     |
| 3,805,298 | A | * | 4/1974 | Aho        | ..... | A61F 11/14  |
|           |   |   |        |            |       | 2/209       |
| 3,815,155 | A | * | 6/1974 | Davison    | ..... | A42B 3/166  |
|           |   |   |        |            |       | 2/209       |

**1 Claim, 8 Drawing Sheets**



(56)

References Cited

U.S. PATENT DOCUMENTS

6,654,966 B2 \* 12/2003 Rolla ..... H04R 1/1066  
 2/209  
 7,072,483 B2 \* 7/2006 Lenhard-Backhaus .....  
 H04R 1/1066  
 381/370  
 D530,307 S \* 10/2006 Rath ..... D14/206  
 D531,165 S \* 10/2006 Rath ..... D14/206  
 D534,155 S \* 12/2006 Obata ..... D14/205  
 7,172,052 B2 \* 2/2007 Lenhard-Backhaus .....  
 H04R 1/1066  
 181/129  
 D563,382 S \* 3/2008 Wikel ..... D14/205  
 D573,581 S \* 7/2008 Gondo ..... D14/205  
 7,412,070 B2 \* 8/2008 Kleinschmidt ..... H04R 1/1083  
 381/370  
 D581,394 S \* 11/2008 Lee ..... D14/205  
 D582,890 S \* 12/2008 Koza ..... D14/205  
 D589,492 S \* 3/2009 Mistry ..... D14/205  
 D592,640 S \* 5/2009 Tkachuk ..... D14/205  
 D603,370 S \* 11/2009 Suzuki ..... D14/205  
 D603,371 S \* 11/2009 Boateng ..... D14/205  
 D625,705 S \* 10/2010 Ohori ..... D14/205  
 D628,189 S \* 11/2010 Rath ..... D14/206  
 D632,668 S \* 2/2011 Brunner ..... D14/205  
 D637,176 S \* 5/2011 Brunner ..... D14/205  
 D637,579 S \* 5/2011 Hamaura ..... D14/205  
 D639,776 S \* 6/2011 Arimoto ..... D14/205  
 D642,554 S \* 8/2011 Schaal ..... D14/205  
 D643,405 S \* 8/2011 Rath ..... D14/206  
 D652,406 S \* 1/2012 Lee ..... D14/205  
 D657,345 S \* 4/2012 Brunner ..... H04R 1/1008  
 D14/205  
 D657,776 S \* 4/2012 Lee ..... D14/205  
 D658,158 S \* 4/2012 Suzuki ..... D14/205  
 D662,080 S \* 6/2012 Carr ..... D14/205  
 D666,168 S \* 8/2012 Rath ..... D14/206  
 D673,520 S \* 1/2013 Tan ..... D14/205  
 D675,595 S \* 2/2013 Cho ..... D14/205  
 D683,329 S \* 5/2013 Hagelin ..... D14/205  
 D683,717 S \* 6/2013 Kelly ..... D14/205  
 D691,579 S \* 10/2013 Lee ..... D14/205  
 D691,984 S \* 10/2013 Wang ..... D14/205  
 D696,226 S \* 12/2013 Brunner ..... H04R 1/1008  
 D14/205  
 D699,702 S \* 2/2014 Chen ..... D14/205  
 D704,163 S \* 5/2014 Brunner ..... H04R 1/1008  
 D14/205

D707,200 S \* 6/2014 Yang ..... H04R 1/1066  
 D14/205  
 D713,374 S \* 9/2014 Farrage ..... D14/205  
 D719,136 S \* 12/2014 Schaal ..... D14/205  
 D722,998 S \* 2/2015 Sancho ..... D14/205  
 D729,196 S \* 5/2015 Liu ..... D14/205  
 D733,090 S \* 6/2015 Petersen ..... D14/205  
 D739,842 S \* 9/2015 Birger ..... D14/205  
 D769,221 S \* 10/2016 Pedersen ..... D14/206  
 D800,691 S \* 10/2017 Ando ..... D14/205  
 D814,440 S 4/2018 Hardi  
 D823,278 S 7/2018 Ito  
 D826,210 S \* 8/2018 Chong ..... D14/205  
 D834,260 S \* 11/2018 Garcia Mansilla ..... D29/112  
 D836,084 S \* 12/2018 Xie ..... D14/205  
 D840,370 S \* 2/2019 Kelly ..... D14/205  
 D852,163 S \* 6/2019 Nagamine ..... D14/205  
 D852,775 S \* 7/2019 Ando ..... D14/205  
 D859,354 S \* 9/2019 Xia ..... D14/205  
 D860,161 S \* 9/2019 Xia ..... D14/205  
 D860,163 S \* 9/2019 Xia ..... D14/205  
 D868,731 S \* 12/2019 Jung ..... D14/205  
 D868,733 S \* 12/2019 Luo ..... D14/205  
 D869,437 S \* 12/2019 Hu ..... D14/205  
 D876,388 S \* 2/2020 Carr ..... D14/205  
 D877,114 S \* 3/2020 Lindenberger ..... D14/205  
 2004/0213428 A1 \* 10/2004 Lenhard-Backhaus .....  
 H04R 1/1066  
 381/370  
 2008/0226114 A1 \* 9/2008 Thompson ..... H04R 1/1016  
 381/380  
 2010/0310093 A1 \* 12/2010 Semcken ..... H04R 1/1058  
 381/104  
 2014/0219466 A1 \* 8/2014 Saideh ..... H04R 1/1033  
 381/74  
 2015/0373467 A1 \* 12/2015 Gelter ..... G06F 16/683  
 381/56  
 2017/0230746 A1 \* 8/2017 Silvestri ..... H04R 1/1083

FOREIGN PATENT DOCUMENTS

CN 305543954 \* 1/2020  
 EM 004118727-0002 \* 7/2017  
 EM 006368080-0001 \* 4/2019  
 EM 006753869-0011 \* 8/2019  
 EM 007224365-0003 \* 11/2019  
 JP D1567441 \* 8/2016  
 JP 1648130 \* 11/2019  
 WO D204090-001 \* 6/2019

\* cited by examiner

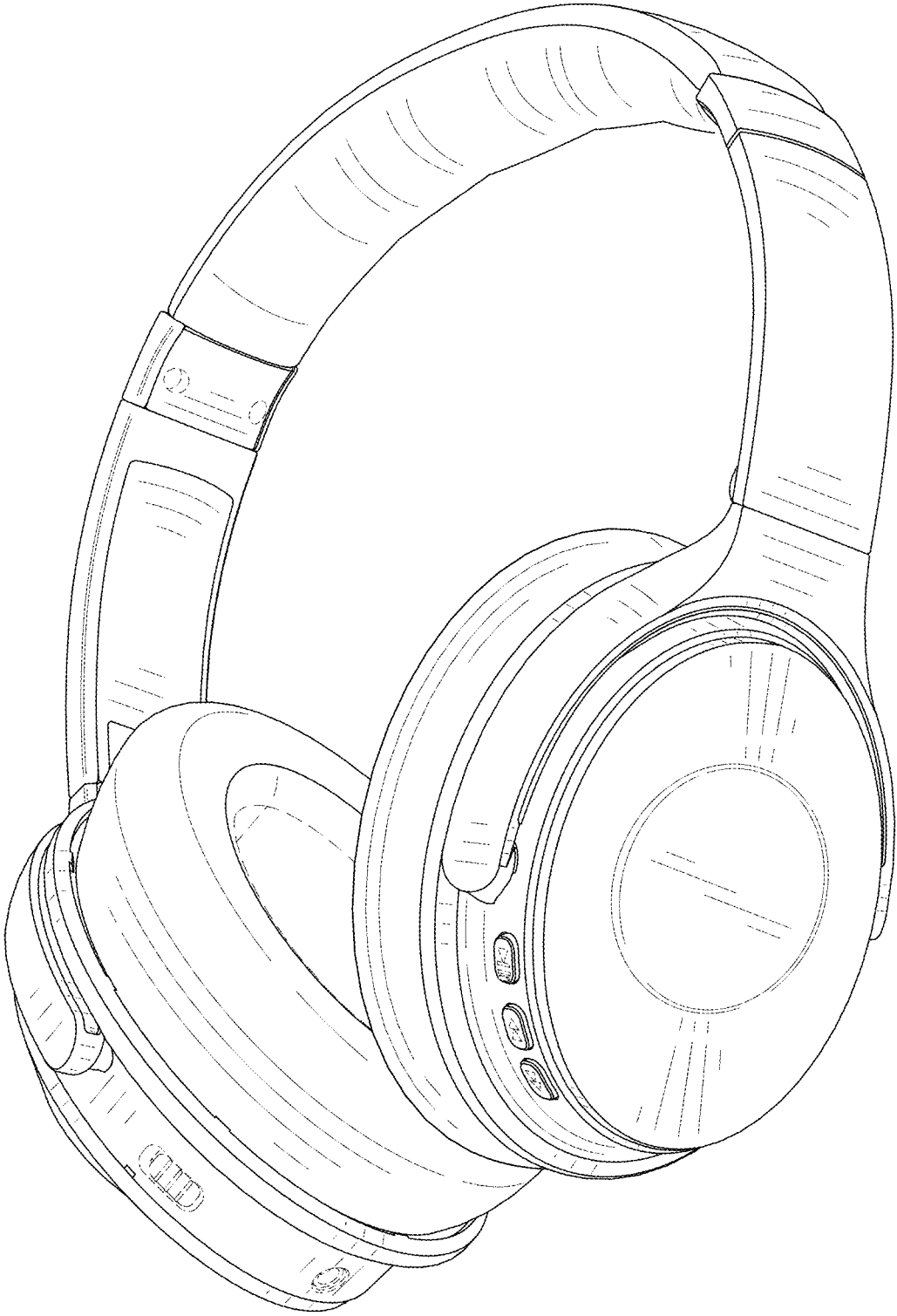


FIG. 1



FIG. 2



FIG. 3



FIG. 4

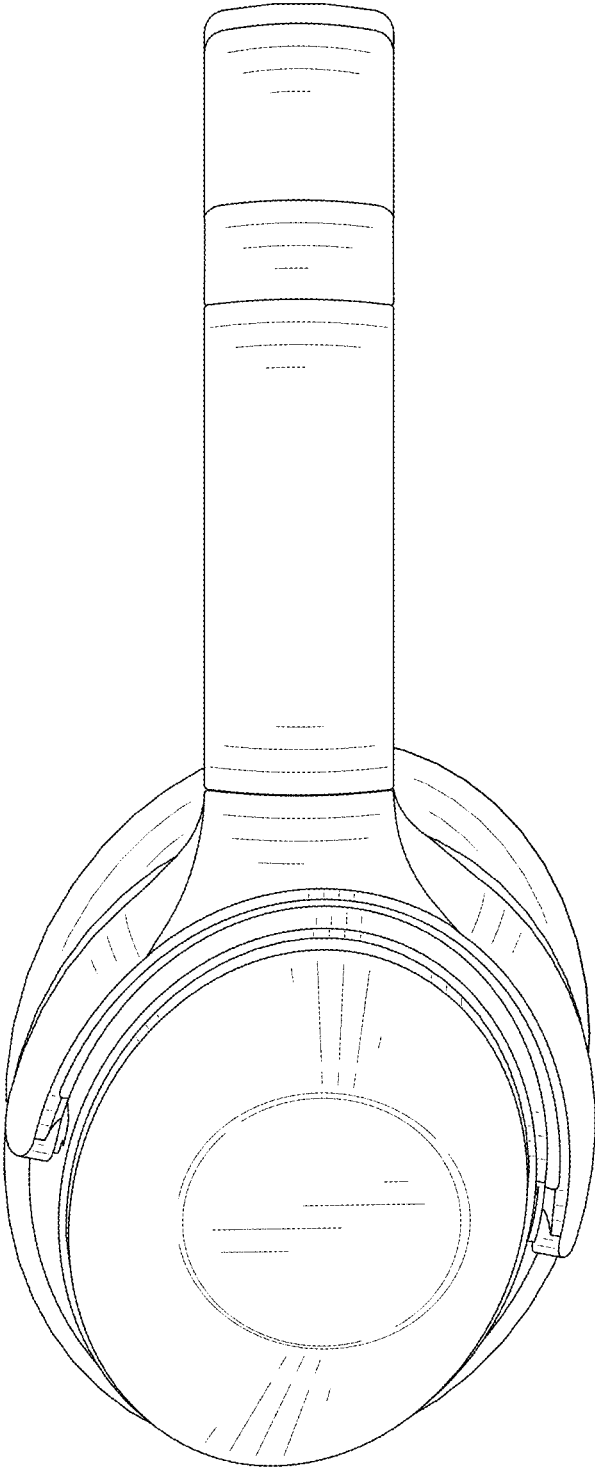


FIG. 5

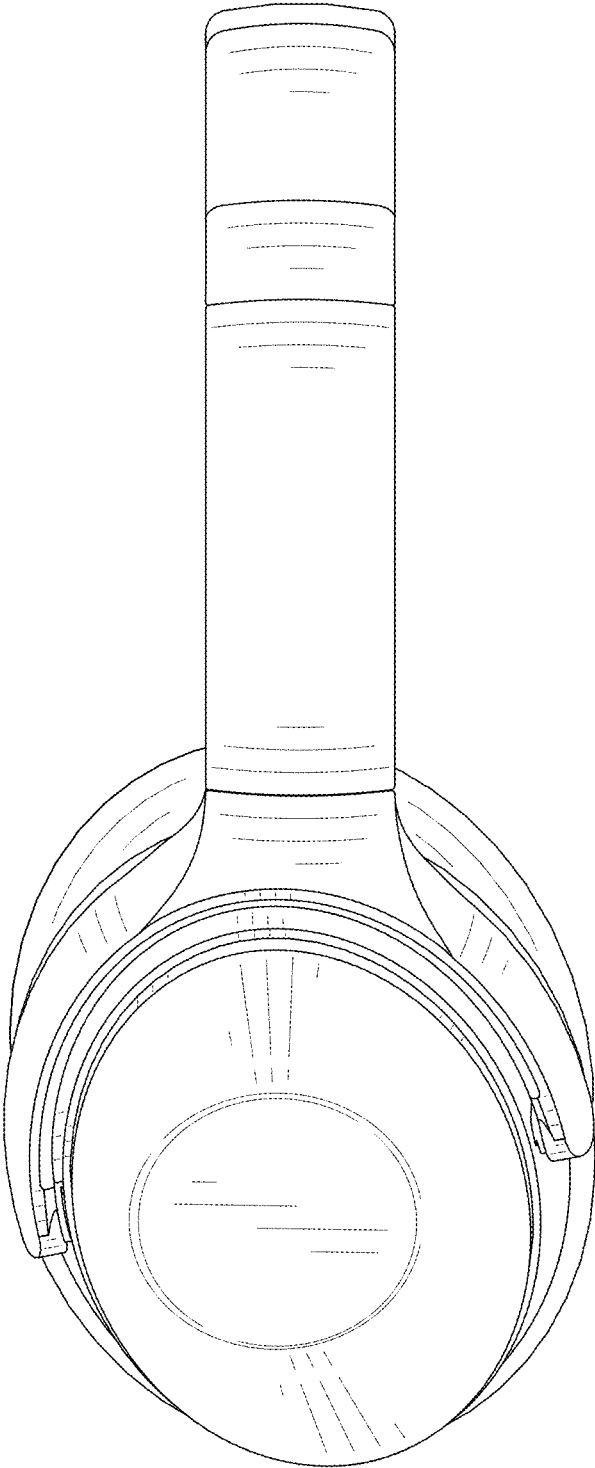


FIG. 6



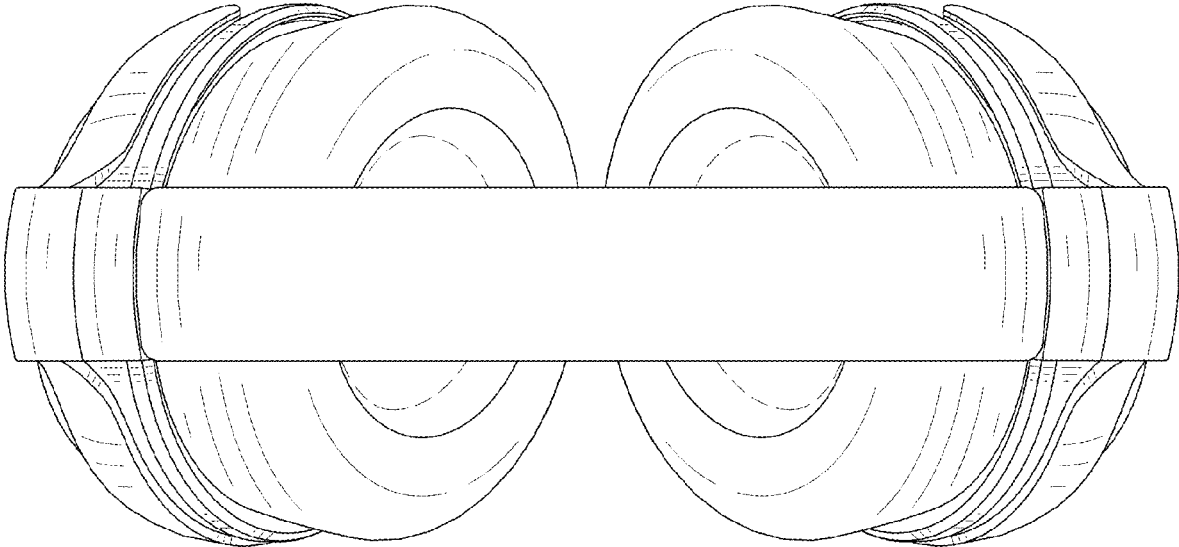


FIG. 7

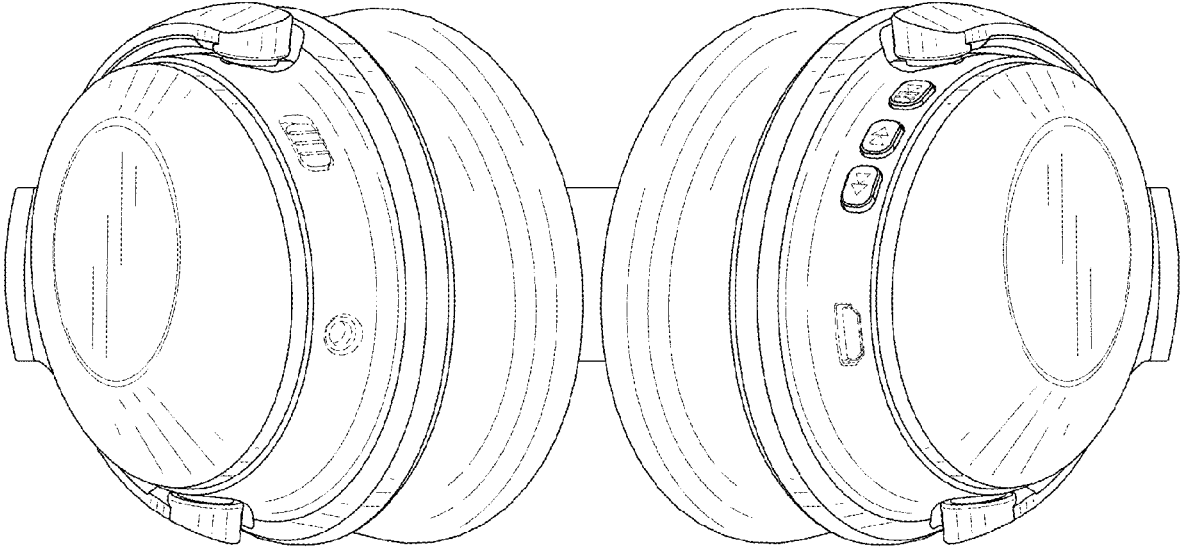


FIG. 8