



US00D814385S

(12) **United States Design Patent**  
**Zhao**

(10) **Patent No.:** **US D814,385 S**

(45) **Date of Patent:** **\*\* Apr. 3, 2018**

(54) **QUADCOPTER**

(71) Applicant: **Jianjia Zhao**, Zhangzhou (CN)

(72) Inventor: **Jianjia Zhao**, Zhangzhou (CN)

(\*\*) Term: **15 Years**

(21) Appl. No.: **29/608,872**

(22) Filed: **Jun. 27, 2017**

(51) **LOC (11) Cl.** ..... **12-07**

(52) **U.S. Cl.**  
USPC ..... **D12/328**; D12/16.1

(58) **Field of Classification Search**  
USPC ..... D12/16.1, 319, 325, 326, 327, 328,  
D12/329-345; D21/436, 441, 442, 443,  
D21/444, 445-453

CPC ..... B64C 39/024; B64C 2201/141; B64C  
2201/00; B64C 2201/108

See application file for complete search history.

(56) **References Cited**

**U.S. PATENT DOCUMENTS**

D741,751 S *	10/2015	Klaptocz	.....	D12/16.1
D756,842 S *	5/2016	Ashjaee	.....	D12/16.1
D767,043 S *	9/2016	Morrison	.....	D12/16.1
D768,540 S *	10/2016	Ji	.....	D12/16.1
D783,727 S *	4/2017	Xiao	.....	D21/441
D785,717 S *	5/2017	Xiao	.....	D21/441

D793,482 S *	8/2017	Wang	.....	D12/16.1
D797,859 S *	9/2017	Caubel	.....	D21/441
D798,962 S *	10/2017	Xiao	.....	D21/441
D798,963 S *	10/2017	Xiao	.....	D21/441
D800,016 S *	10/2017	Huang	.....	D12/16.1
D808,301 S *	1/2018	Goldy	.....	D12/16.1
2014/0117149 A1*	5/2014	Zhou	.....	A63H 27/12 244/17.23
2017/0043869 A1*	2/2017	Howard	.....	B64C 39/024
2017/0144753 A1*	5/2017	Yu	.....	B64C 39/024
2017/0285661 A1*	10/2017	Harada	.....	G05D 1/101
2018/0002023 A1*	1/2018	Tian	.....	B64D 13/006

\* cited by examiner

*Primary Examiner* — Robert M. Spear

*Assistant Examiner* — Marissa J Cash

(57) **CLAIM**

The ornamental design for a quadcopter, as shown.

**DESCRIPTION**

FIG. 1 is a front elevational view of a quadcopter showing my new design;

FIG. 2 is a rear elevational view thereof;

FIG. 3 is a left side elevational view thereof;

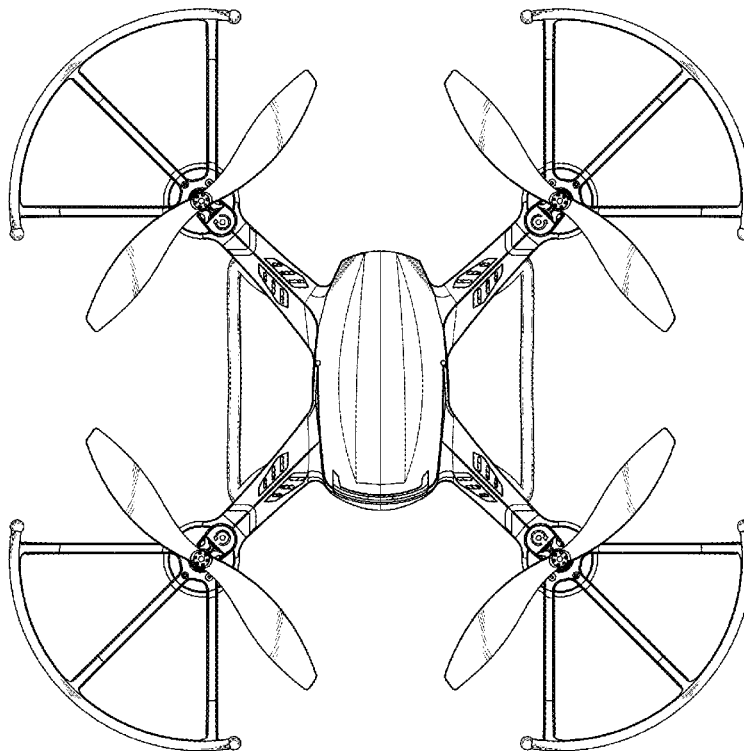
FIG. 4 is a right side elevational view thereof;

FIG. 5 is a top plan view thereof;

FIG. 6 is a bottom plan view thereof; and,

FIG. 7 is a front perspective view thereof.

**1 Claim, 7 Drawing Sheets**



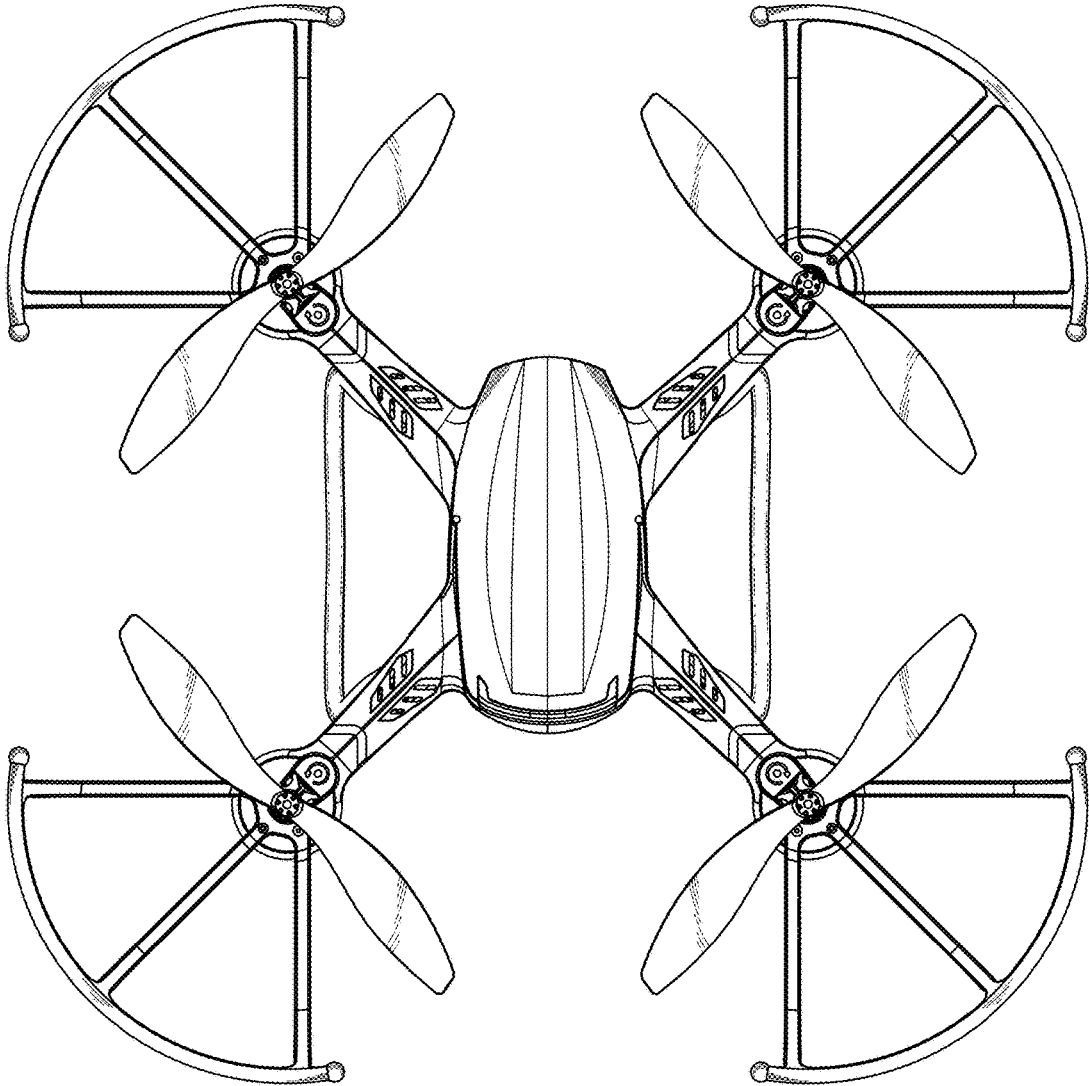


FIG.1

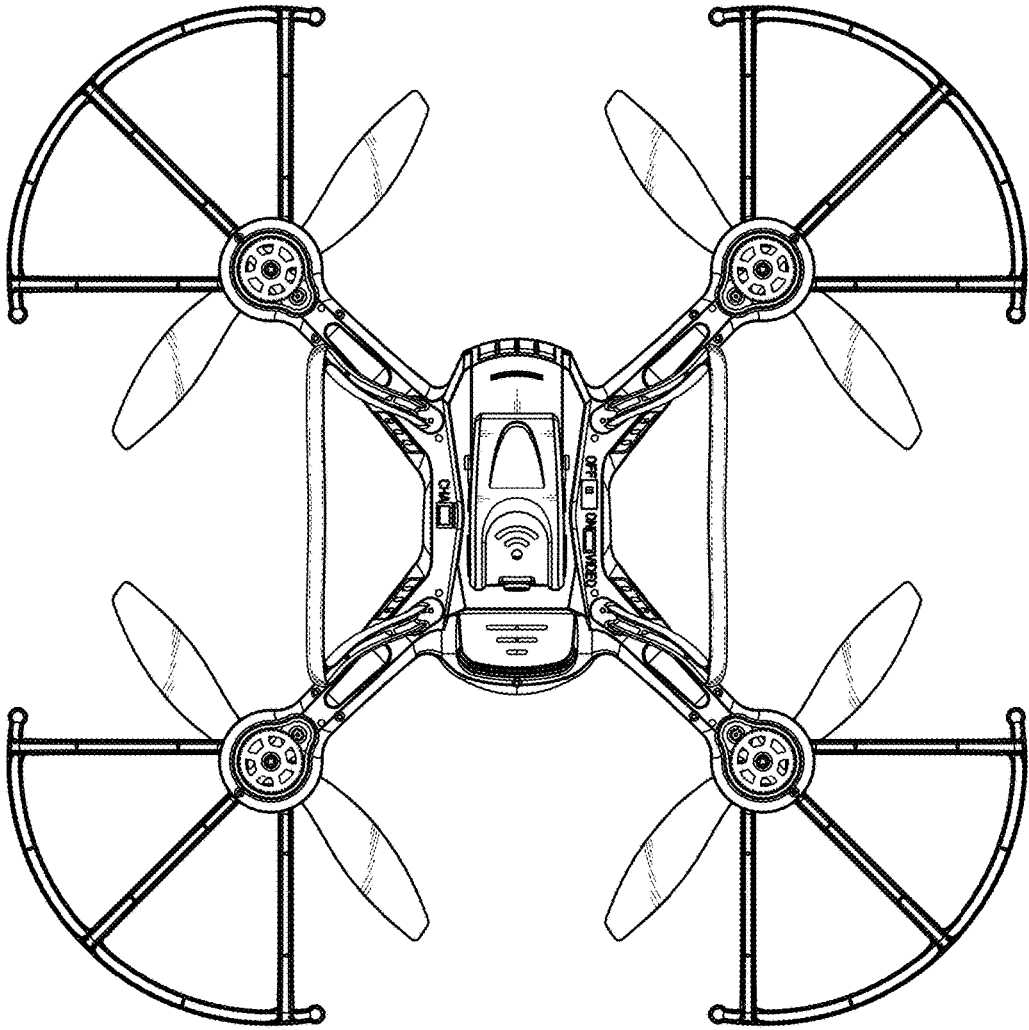


FIG.2

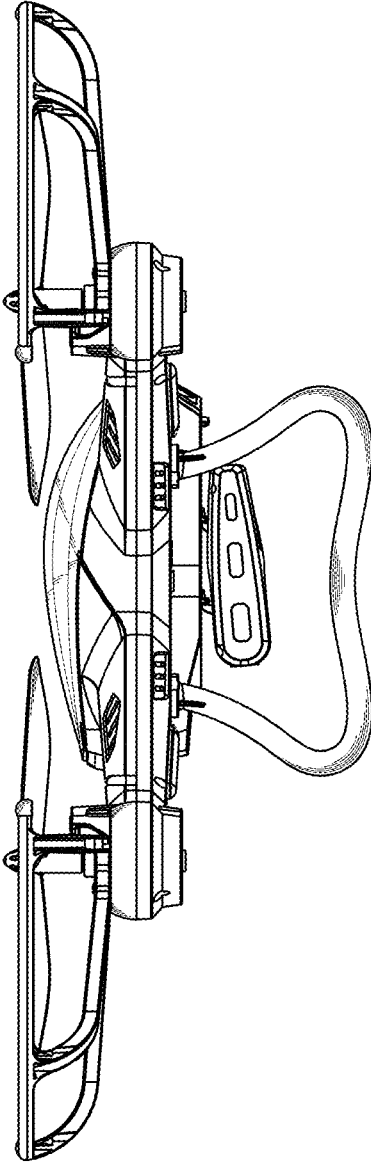


FIG.3

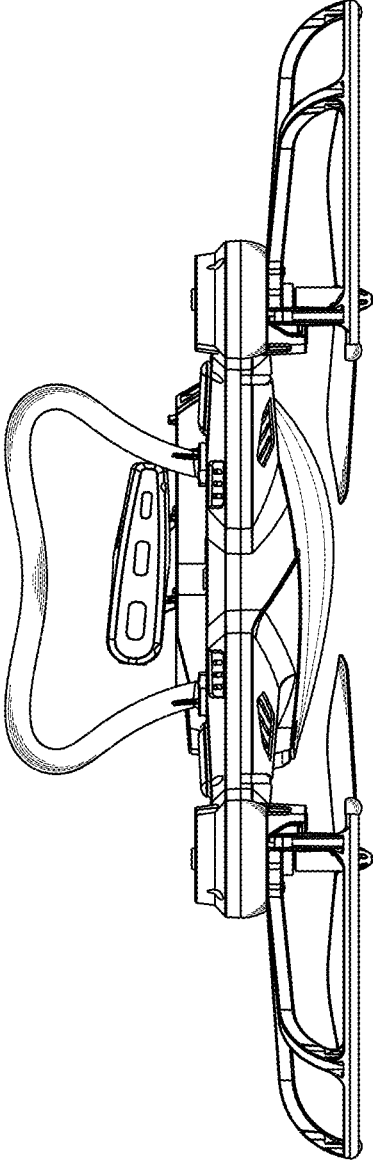


FIG.4

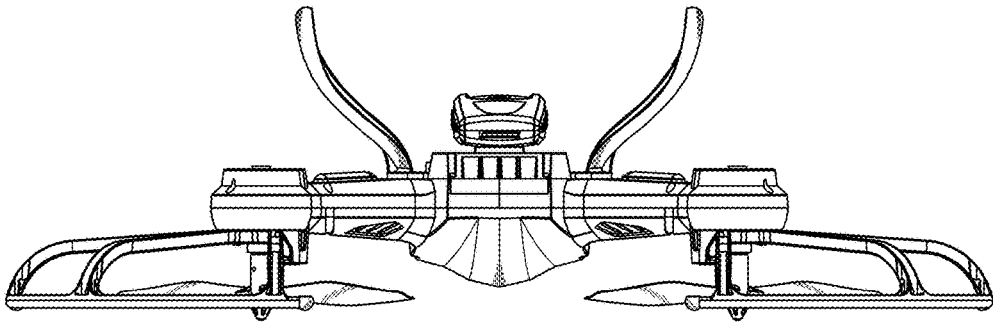


FIG.5

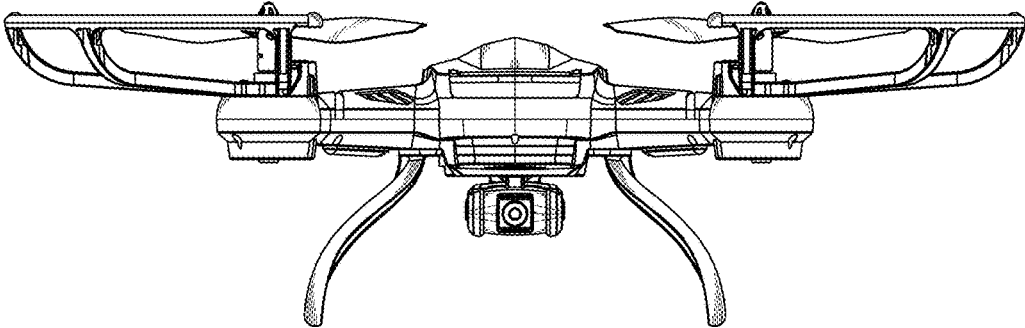


FIG.6

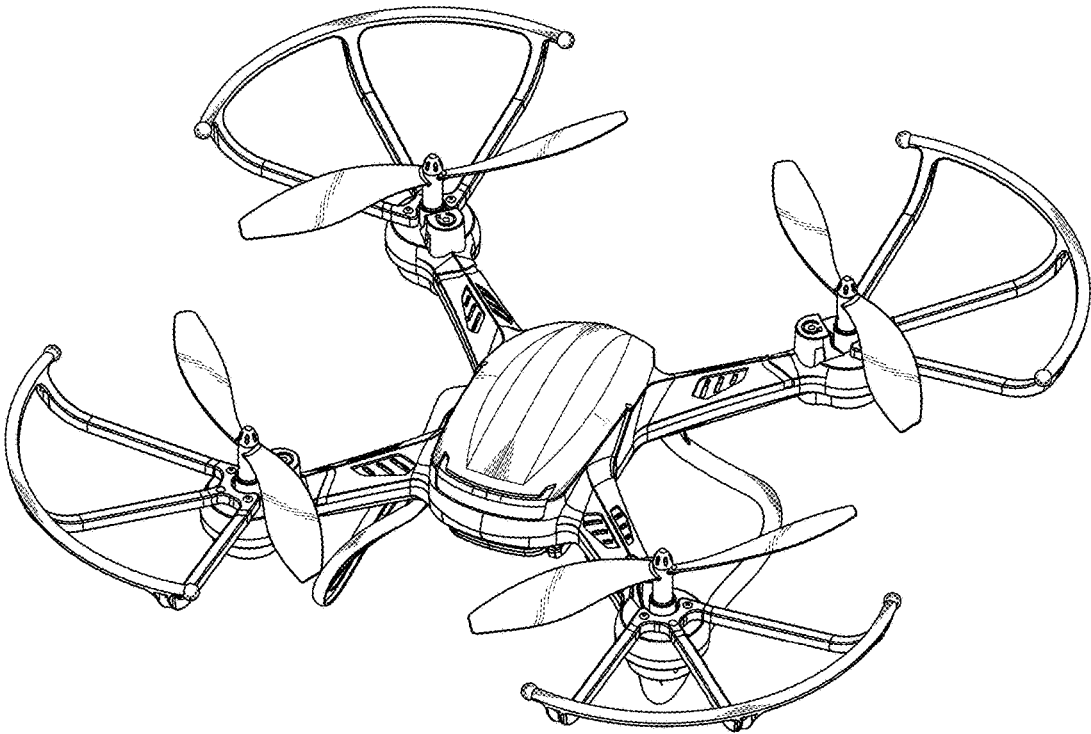


FIG.7