



US00D565263S

(12) **United States Design Patent**
Wishney

(10) **Patent No.:** **US D565,263 S**

(45) **Date of Patent:** **** Mar. 25, 2008**

(54) **TOOL FOR A CLEANING APPLIANCE**

(75) Inventor: **Adam Andrew Wishney**, Wiltshire (GB)

(73) Assignee: **Dyson Limited**, Wiltshire (GB)

(**) Term: **14 Years**

(21) Appl. No.: **29/273,049**

(22) Filed: **Feb. 26, 2007**

(30) **Foreign Application Priority Data**

Aug. 24, 2006 (GB) 3025767

(51) **LOC (8) Cl.** **15-05**

(52) **U.S. Cl.** **D32/32**

(58) **Field of Classification Search** 15/321-322,
15/325, 329, 340.3, 89, 340.4, 90, 344, 361,
15/350-351, 362, 412, 246.2, 250; D32/21-23,
D32/31-34, 38-39

See application file for complete search history.

(56) **References Cited**

U.S. PATENT DOCUMENTS

- D141,802 S * 7/1945 Wittke D32/33
- D178,141 S * 6/1956 Martinez D32/33
- D247,980 S * 5/1978 Wistrand D28/18
- D304,525 S * 11/1989 Kitts et al. D4/115

- D312,730 S * 12/1990 Roman D4/115
- D369,448 S * 4/1996 de Blois et al. D32/33
- D375,588 S * 11/1996 Bzoch D30/158
- D483,536 S * 12/2003 Martin D32/31
- D520,201 S * 5/2006 Dyson et al. D32/33
- D520,202 S * 5/2006 Dyson et al. D32/33
- D524,497 S * 7/2006 Bruneau D32/31
- 2007/0240275 A1 * 10/2007 Willenbring 15/324

* cited by examiner

Primary Examiner—Sandra Snapp

(74) *Attorney, Agent, or Firm*—Morrison & Foerster LLP

(57) **CLAIM**

I claim the ornamental design for a tool for a cleaning appliance, as shown and described.

DESCRIPTION

FIG. 1 is a perspective view of a tool for a cleaning appliance showing our new design;

FIG. 2 is a top view thereof;

FIG. 3 is a bottom view thereof;

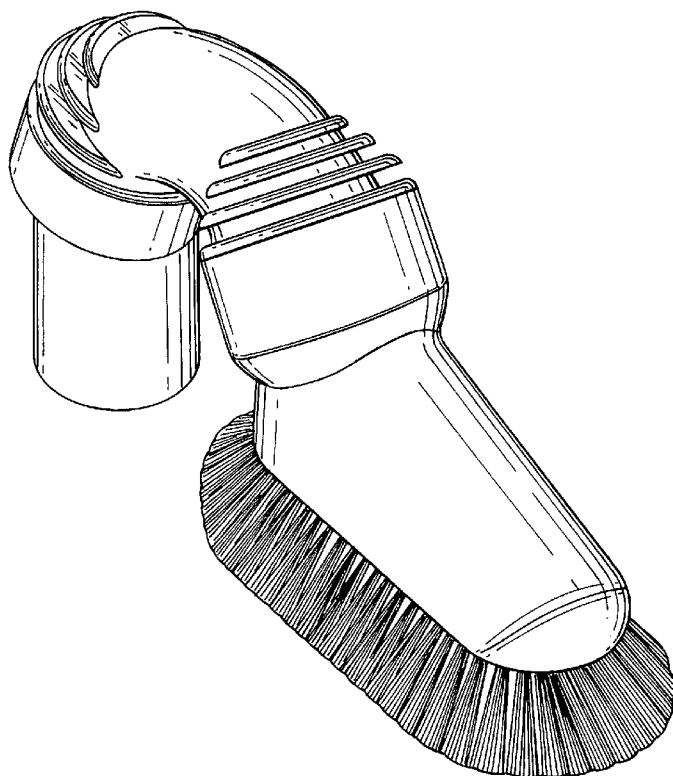
FIG. 4 is a side view thereof;

FIG. 5 is a side view of the opposite side of FIG. 4;

FIG. 6 is a front view thereof; and,

FIG. 7 is a rear view thereof.

1 Claim, 6 Drawing Sheets



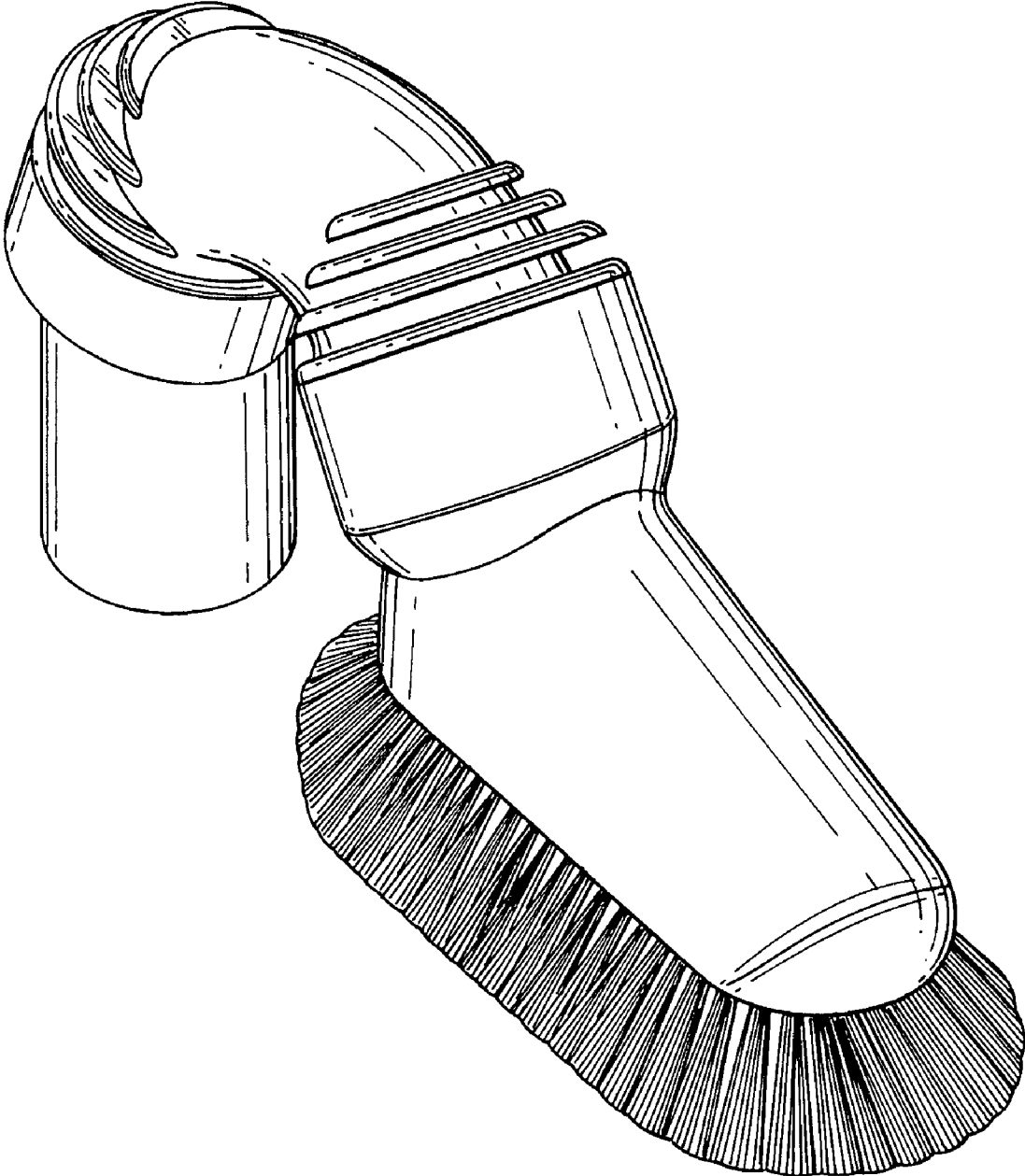


Fig. 1

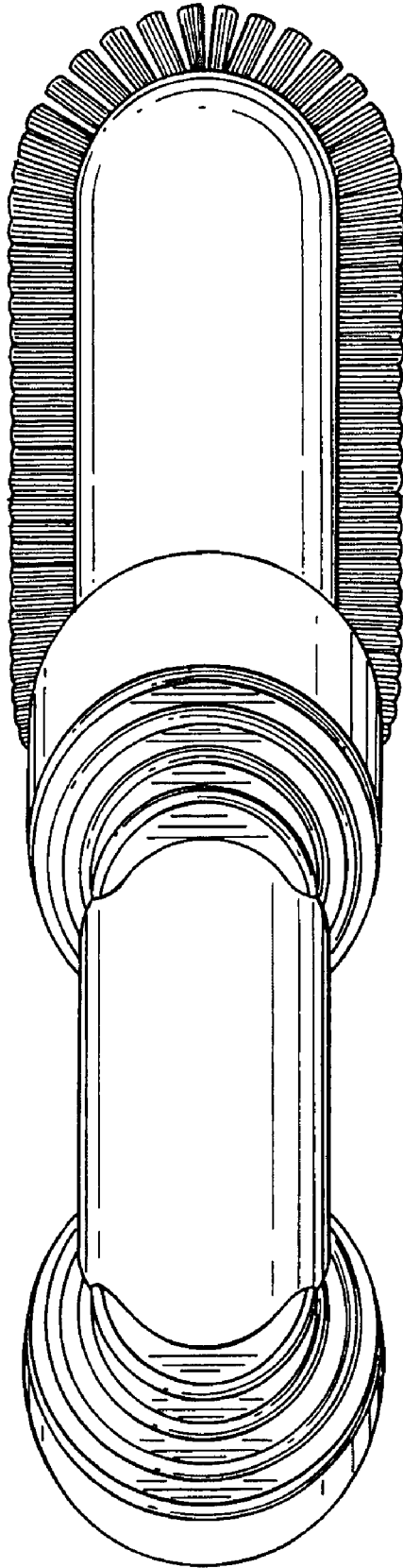


Fig. 2

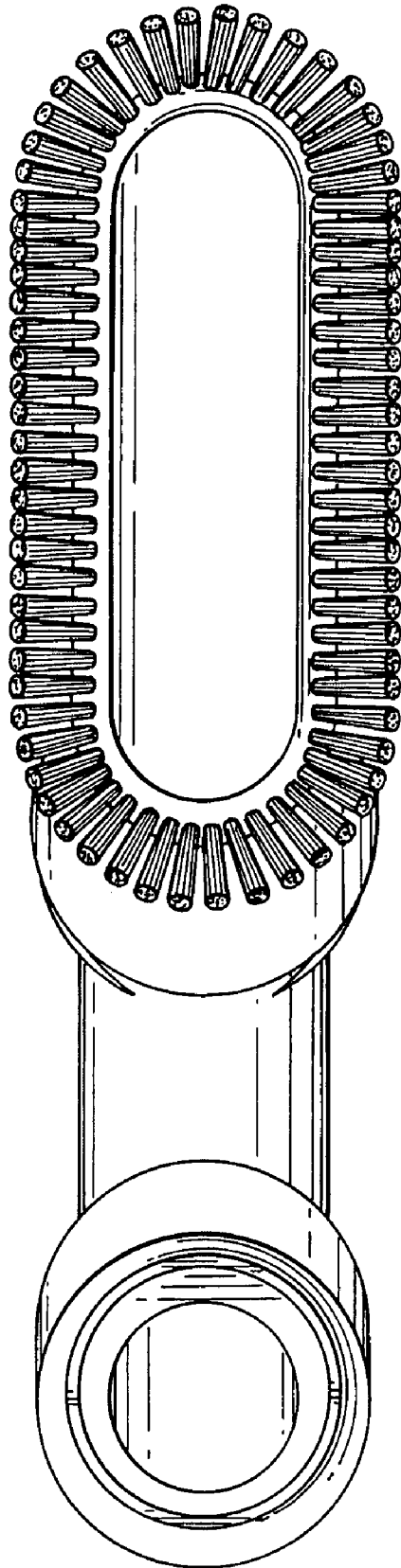


Fig. 3

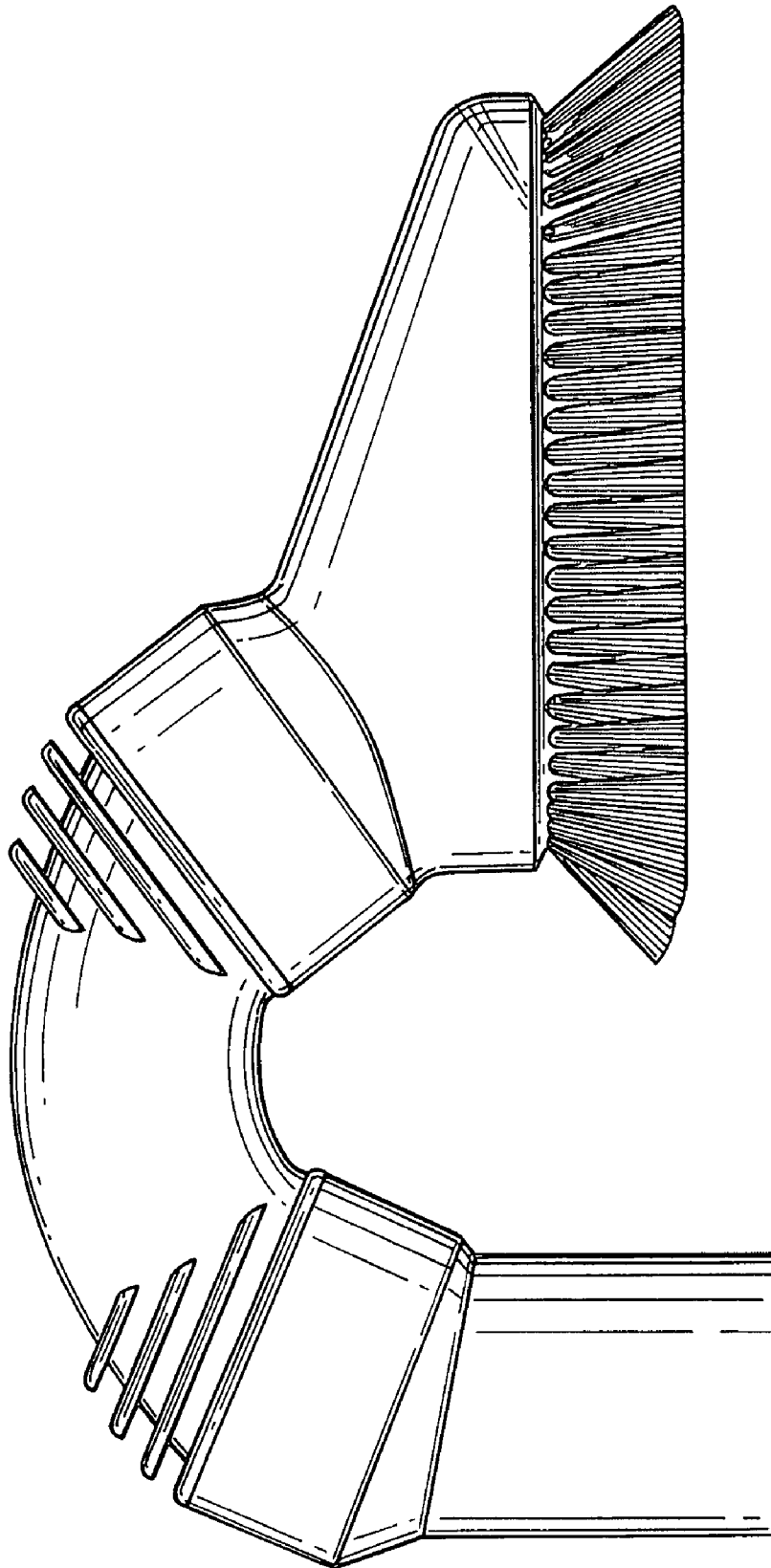


Fig. 4

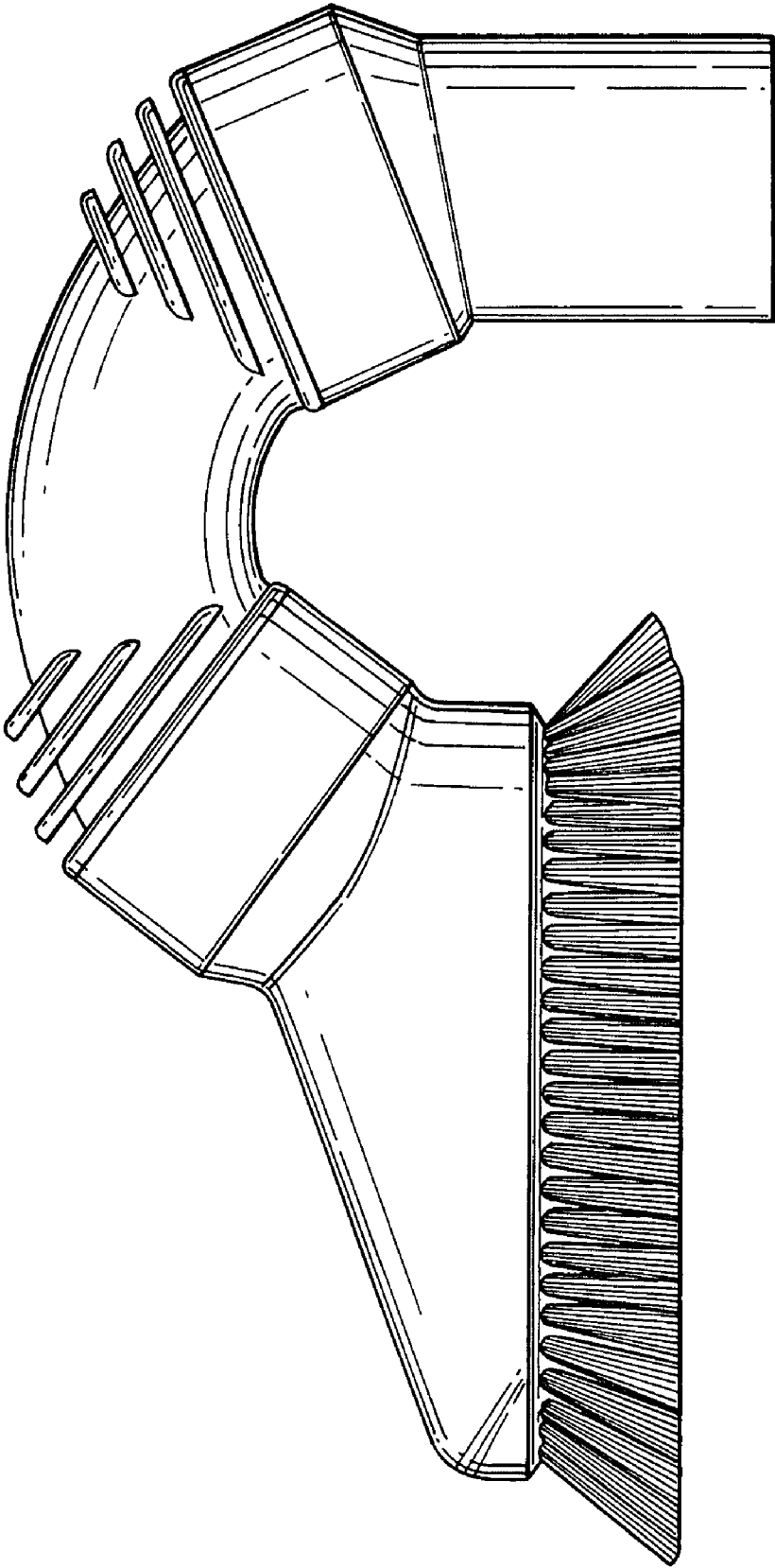


Fig. 5

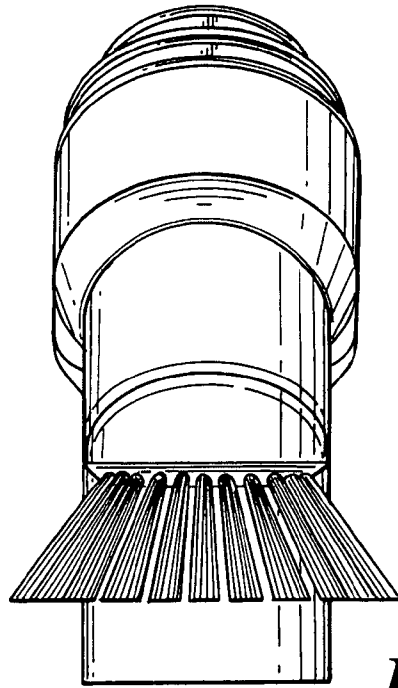


Fig. 6

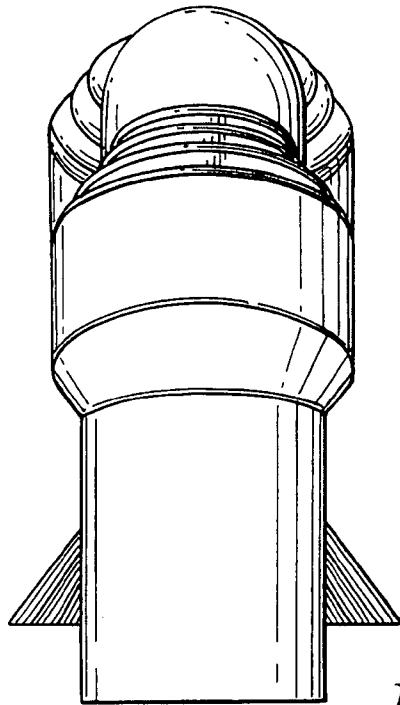


Fig. 7