

(19) World Intellectual Property Organization
International Bureau



(43) International Publication Date
23 December 2009 (23.12.2009)

(10) International Publication Number
WO 2009/154941 A3

- (51) International Patent Classification:
B29C 41/08 (2006.01) B65D 25/34 (2006.01)
B65D 19/22 (2006.01)
- (21) International Application Number:
PCT/US2009/044940
- (22) International Filing Date:
22 May 2009 (22.05.2009)
- (25) Filing Language: English
- (26) Publication Language: English
- (30) Priority Data:
61/074,306 20 June 2008 (20.06.2008) US
12/467,851 18 May 2009 (18.05.2009) US
- (71) Applicant (for all designated States except US): **ORIA COLLAPSIBLES, LLC** [US/US]; 70 South Squirrel Road, Unit A., Auburn Hills, MI 48326 (US).
- (72) Inventor; and
(71) Applicant : **LINARES, Miguel, A.** [US/US]; 2769 Mackintosh Lane, Bloomfield Hills, MI 48302 (US).
- (74) Agents: **MCEVOY, Douglas, J.** et al.; Gifford, Krass, Sprinkle, Anderson, & Citkowski, P.C., 2701 Troy Center Drive, Suite 330, PO Box 7021, Troy, MI 48007-7021 (US).
- (81) Designated States (unless otherwise indicated, for every kind of national protection available): AE, AG, AL, AM,

AO, AT, AU, AZ, BA, BB, BG, BH, BR, BW, BY, BZ, CA, CH, CN, CO, CR, CU, CZ, DE, DK, DM, DO, DZ, EC, EE, EG, ES, FI, GB, GD, GE, GH, GM, GT, HN, HR, HU, ID, IL, IN, IS, JP, KE, KG, KM, KN, KP, KR, KZ, LA, LC, LK, LR, LS, LT, LU, LY, MA, MD, ME, MG, MK, MN, MW, MX, MY, MZ, NA, NG, NI, NO, NZ, OM, PG, PH, PL, PT, RO, RS, RU, SC, SD, SE, SG, SK, SL, SM, ST, SV, SY, TJ, TM, TN, TR, TT, TZ, UA, UG, US, UZ, VC, VN, ZA, ZM, ZW.

(84) Designated States (unless otherwise indicated, for every kind of regional protection available): ARIPO (BW, GH, GM, KE, LS, MW, MZ, NA, SD, SL, SZ, TZ, UG, ZM, ZW), Eurasian (AM, AZ, BY, KG, KZ, MD, RU, TJ, TM), European (AT, BE, BG, CH, CY, CZ, DE, DK, EE, ES, FI, FR, GB, GR, HR, HU, IE, IS, IT, LT, LU, LV, MC, MK, MT, NL, NO, PL, PT, RO, SE, SI, SK, TR), OAPI (BF, BJ, CF, CG, CI, CM, GA, GN, GQ, GW, ML, MR, NE, SN, TD, TG).

- Published:
- with international search report (Art. 21(3))
- before the expiration of the time limit for amending the claims and to be republished in the event of receipt of amendments (Rule 48.2(h))
- (88) Date of publication of the international search report:
4 March 2010

(54) Title: **SPRAY APPLYING PROCESS AND PRODUCTION ASSEMBLY FOR MANUFACTURING A PALLET**

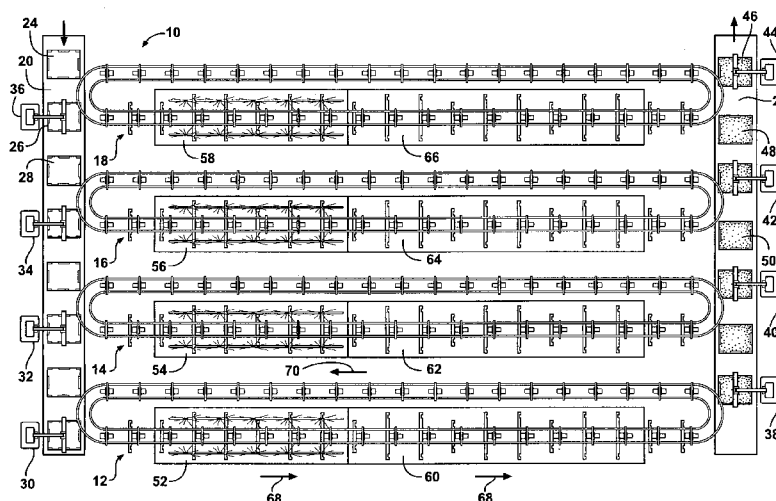


FIG. 1

(57) Abstract: A production assembly and associated process for mass producing such as a thermoplastic pallet and which utilizes a multiple insert supporting and continuously moving carousels inter-faceable with an input line upon which is transported a plurality of rigid and planar shaped inserts, as well as an output line a spaced relationship from the input line for removing, from the carousel, the resin coated articles. The invention further teaches a series of subset variants for spray applying a two part resin and hardener upon the insert according to a selected thickness, following which the inserts are cured and dried prior to transferring to the output line and in order to create a finished product.

WO 2009/154941 A3

A. CLASSIFICATION OF SUBJECT MATTER*B29C 41/08(2006.01)i, B65D 19/22(2006.01)i, B65D 25/34(2006.01)i*

According to International Patent Classification (IPC) or to both national classification and IPC

B. FIELDS SEARCHED

Minimum documentation searched (classification system followed by classification symbols)

B29C 41/08; A47G 27/00; B29C 67/20; B29C 70/10; B29C 70/30; B29C 70/52; B29L 31:58

Documentation searched other than minimum documentation to the extent that such documents are included in the fields searched

Korean utility models and applications for utility models since 1975.

Japanese utility models and applications for utility models since 1975.

Electronic data base consulted during the international search (name of data base and, where practicable, search terms used)

eKOMPASS(KIPO internal)

C. DOCUMENTS CONSIDERED TO BE RELEVANT

Category*	Citation of document, with indication, where appropriate, of the relevant passages	Relevant to claim No.
A	JP 2000-085021 A (TOYOTA MOTOR CORP) 28 March 2000 See abstract, paragraphs 12-14, figures 1-2	1-20
A	KR 10-0577441 B1 (YOON, KWAN WON.; KIM, GI JUN) 08 May 2006 See claims 1, 5, figures 2, 6	1-20
A	US 2008-0053596 A1 (LAURENCE W. DAVIES. et al.) 06 March 2008 See abstract, claim 1, figures 3-4	1-20

 Further documents are listed in the continuation of Box C. See patent family annex.

* Special categories of cited documents:

"A" document defining the general state of the art which is not considered to be of particular relevance

"E" earlier application or patent but published on or after the international filing date

"L" document which may throw doubts on priority claim(s) or which is cited to establish the publication date of citation or other special reason (as specified)

"O" document referring to an oral disclosure, use, exhibition or other means

"P" document published prior to the international filing date but later than the priority date claimed

"T" later document published after the international filing date or priority date and not in conflict with the application but cited to understand the principle or theory underlying the invention

"X" document of particular relevance; the claimed invention cannot be considered novel or cannot be considered to involve an inventive step when the document is taken alone

"Y" document of particular relevance; the claimed invention cannot be considered to involve an inventive step when the document is combined with one or more other such documents, such combination being obvious to a person skilled in the art

"&" document member of the same patent family

Date of the actual completion of the international search

14 JANUARY 2010 (14.01.2010)

Date of mailing of the international search report

15 JANUARY 2010 (15.01.2010)

Name and mailing address of the ISA/KR

Korean Intellectual Property Office
Government Complex-Daejeon, 139 Seonsa-ro, Seo-gu, Daejeon 302-701, Republic of Korea

Facsimile No. 82-42-472-7140

Authorized officer

CHO, Heung Kue

Telephone No. 82-42-481-5405



INTERNATIONAL SEARCH REPORT

Information on patent family members

International application No.

PCT/US2009/044940

Patent document cited in search report	Publication date	Patent family member(s)	Publication date
JP 2000-085021 A	28.03.2000	None	
KR 10-0577441 B1	08.05.2006	None	
US 2008-0053596 A1	06.03.2008	AU 2002-366559 A1	23.06.2003
		CA 2469650-A1	19.06.2003
		US 2002-121720 A1	05.09.2002
		US 2002-123287 A1	05.09.2002
		US 2005-167030 A1	04.08.2005
		US 2008-053596 A1	06.03.2008
		US 6872273 B2	29.03.2005
		US 6881288 B2	19.04.2005
		US 7276132 B2	02.10.2007
		WO 2003-049928 A1	19.06.2003