



(12) **United States Design Patent**  
**Haakman**

(10) **Patent No.:** **US D798,507 S**  
(45) **Date of Patent:** **\*\* Sep. 26, 2017**

(54) **CAGE**  
(71) Applicant: **Marinus Haakman**, Berkel en  
Roclenrys (NL)  
(72) Inventor: **Marinus Haakman**, Berkel en  
Roclenrys (NL)  
(\*\*) Term: **15 Years**  
(21) Appl. No.: **29/527,634**  
(22) Filed: **May 20, 2015**  
(51) **LOC (10) Cl.** ..... **30-02**  
(52) **U.S. Cl.**  
USPC ..... **D30/119**  
(58) **Field of Classification Search**  
USPC ..... D30/108, 109, 113, 114, 116, 118, 119,  
D30/120; D25/48.1, 48.3; D8/333, 343,  
D8/382, 383; 119/28.5, 416, 428, 452,  
119/453, 472, 473, 481, 482, 496, 498,  
119/499, 501, 502, 702, 703, 706, 751;  
160/179, 180; 49/169; 24/305, 331,  
24/579.11  
CPC .. A01K 1/0353; A01K 1/0017; A01K 1/0245;  
A01K 1/0035; A47C 21/02  
See application file for complete search history.

2002/0100429 A1\* 8/2002 Wade ..... A01K 31/06  
119/452  
2006/0225663 A1\* 10/2006 Chiang ..... A01K 63/003  
119/452  
2007/0251463 A1\* 11/2007 Lu ..... A01K 1/03  
119/452

(Continued)

**OTHER PUBLICATIONS**

“Rial Dragons: Rial Cage Line”. Found online Jun. 13, 2016 at  
debaardagaamkweker.nl. Page dated Feb. 5, 2015. Retrieved from  
[http://web.archive.org/web/20150205234127/http://  
debaardagaamkweker.nl/rial-cage-line.\\*](http://web.archive.org/web/20150205234127/http://debaardagaamkweker.nl/rial-cage-line.*)

(Continued)

*Primary Examiner* — Susan Bennett Hattan  
*Assistant Examiner* — Kendra L Hamilton

(57) **CLAIM**

The ornamental design for a cage, as shown and described.

**DESCRIPTION**

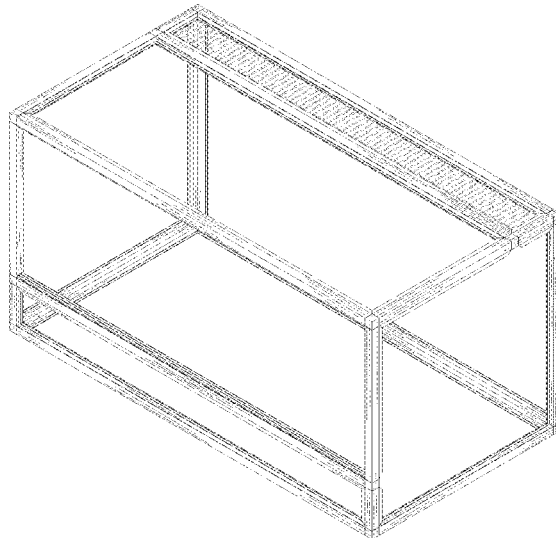
FIG. 1 is a top front right side perspective view of a cage,  
showing my new design;  
FIG. 2 is a perspective view showing the front, bottom, and  
left sides thereof;  
FIG. 3 is a perspective view showing the back, bottom, and  
left sides thereof;  
FIG. 4 is a top plan view thereof;  
FIG. 5 is a bottom plan view thereof;  
FIG. 6 is an elevational right-side view thereof;  
FIG. 7 is an elevational left-side view thereof;  
FIG. 8 is an elevational front-side view thereof;  
FIG. 9 is an elevational rear-side view thereof; and,  
FIG. 10 is a cross-sectional view thereof taken along line  
**10-10** of FIG. 8.  
The broken lines in the drawings represent unclaimed envi-  
ronmental subject matter and form no part of the claim.

(56) **References Cited**

**U.S. PATENT DOCUMENTS**

D293,945 S \* 1/1988 Grant ..... D30/114  
D353,030 S \* 11/1994 Fernandez ..... D30/110  
5,762,026 A \* 6/1998 Watters ..... A01K 63/003  
119/246  
D427,730 S \* 7/2000 Powers ..... D30/114  
D640,837 S \* 6/2011 Henley ..... D30/108  
D652,999 S \* 1/2012 Jakubowski ..... D30/114  
D699,008 S \* 2/2014 Wang ..... D30/108  
D705,498 S \* 5/2014 Snow ..... D30/114  
2001/0054394 A1\* 12/2001 Marchioro ..... A01K 1/0245  
119/452

**1 Claim, 10 Drawing Sheets**



(56)

**References Cited**

U.S. PATENT DOCUMENTS

2016/0073608 A1\* 3/2016 Huang ..... A01K 1/034  
119/501

OTHER PUBLICATIONS

“Instacage Screen Reptile Cage Habitat”. Found online Jul. 5, 2016 at ebay.com. Page dated Mar. 24, 2015. Retrieved from <http://www.ebay.com/itm/INSTACAGE-Screen-Reptile-Cage-Habitat-Medium-3-COLORS-/331104032065>.\*

“Exo Terra Reptile Terrarium”. Found online Jul. 5, 2016 at petsmart.com. Page dated Sep. 25, 2014. Retrieved from <http://www.petsmart.com/reptile/habitats-decor/exo-terra-reptile-terrarium-zid36-5147552/cat-36-catid-500009;pgid=48ts6nkVo0ISRp6sKZ3FziaE000009gg0ykr;sid=yn6jzBYFJkmmzEFanljgyCYPjwL03vUOlthJynSz>.\*

“Arboreal Reptile and Snake Cage”. Found online Jul. 5, 2016 at tetra-fish.com. Page dated Jun. 25, 2013. Retrieved from <http://web.archive.org/web/20130625165928/http://www.tetra-fish.com/Fauna/Products/reptile-terrarium-cages-enclosures/arboreal-reptile-snake-cage-30x18.aspx>.\*

\* cited by examiner

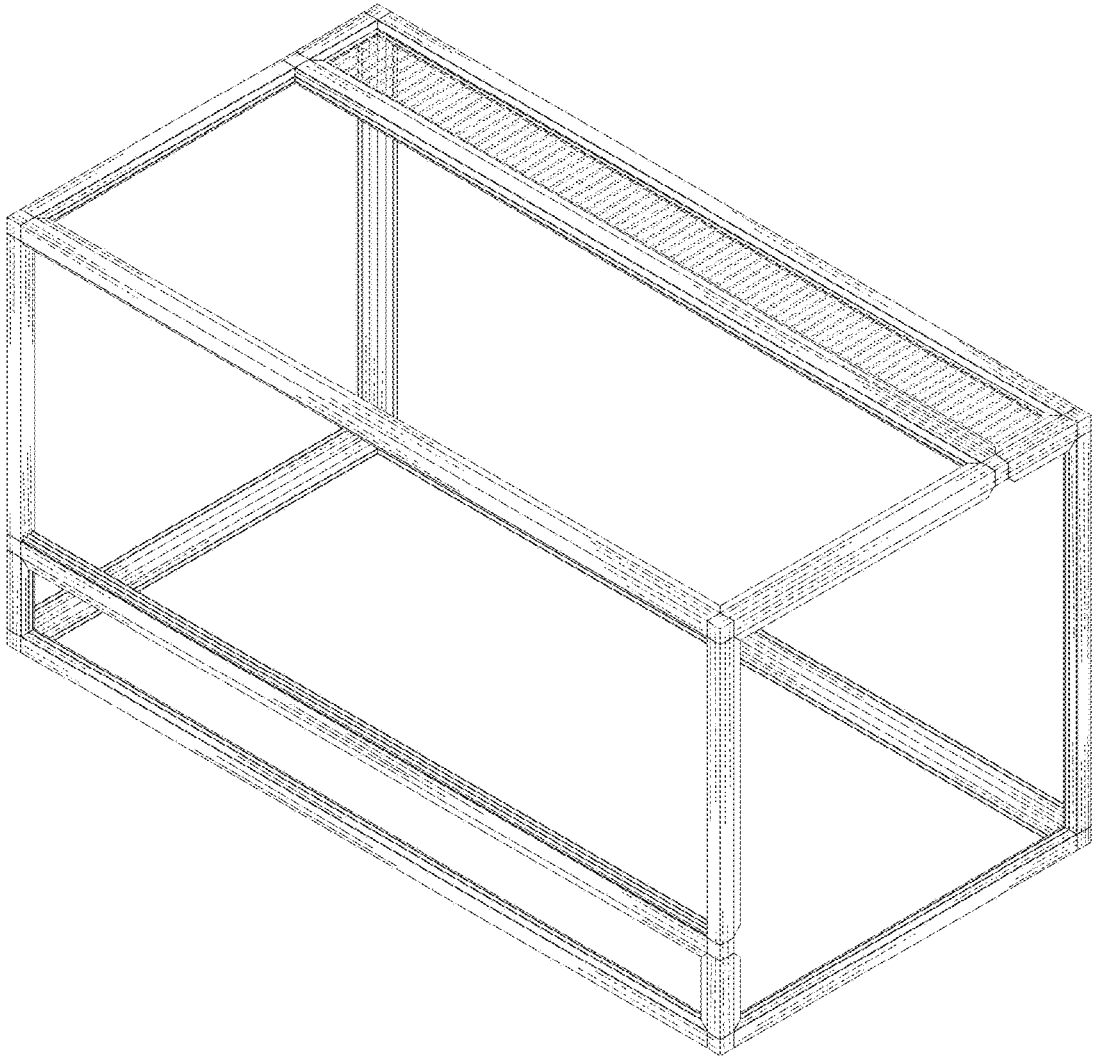


FIG. 1

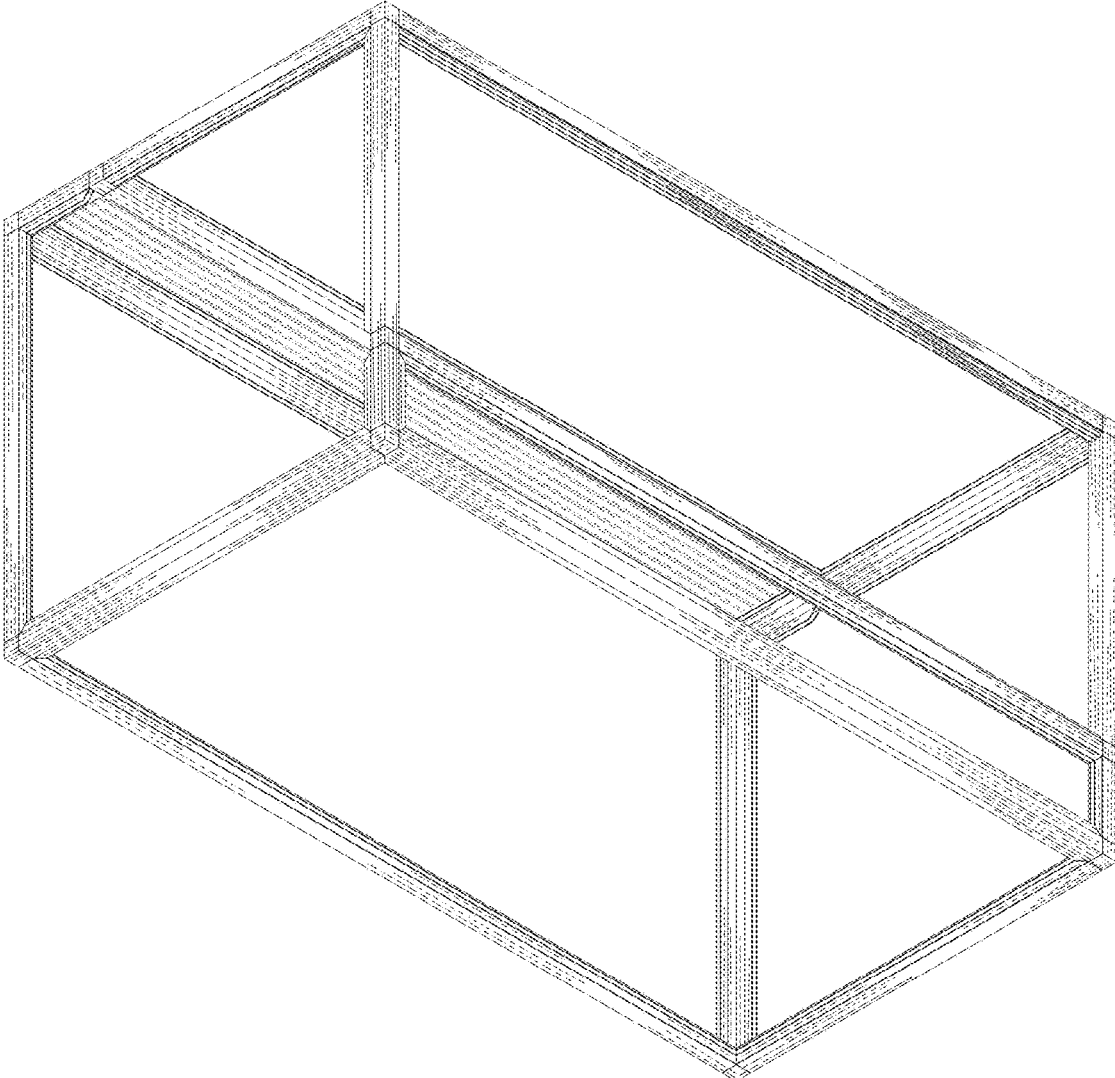


FIG. 2

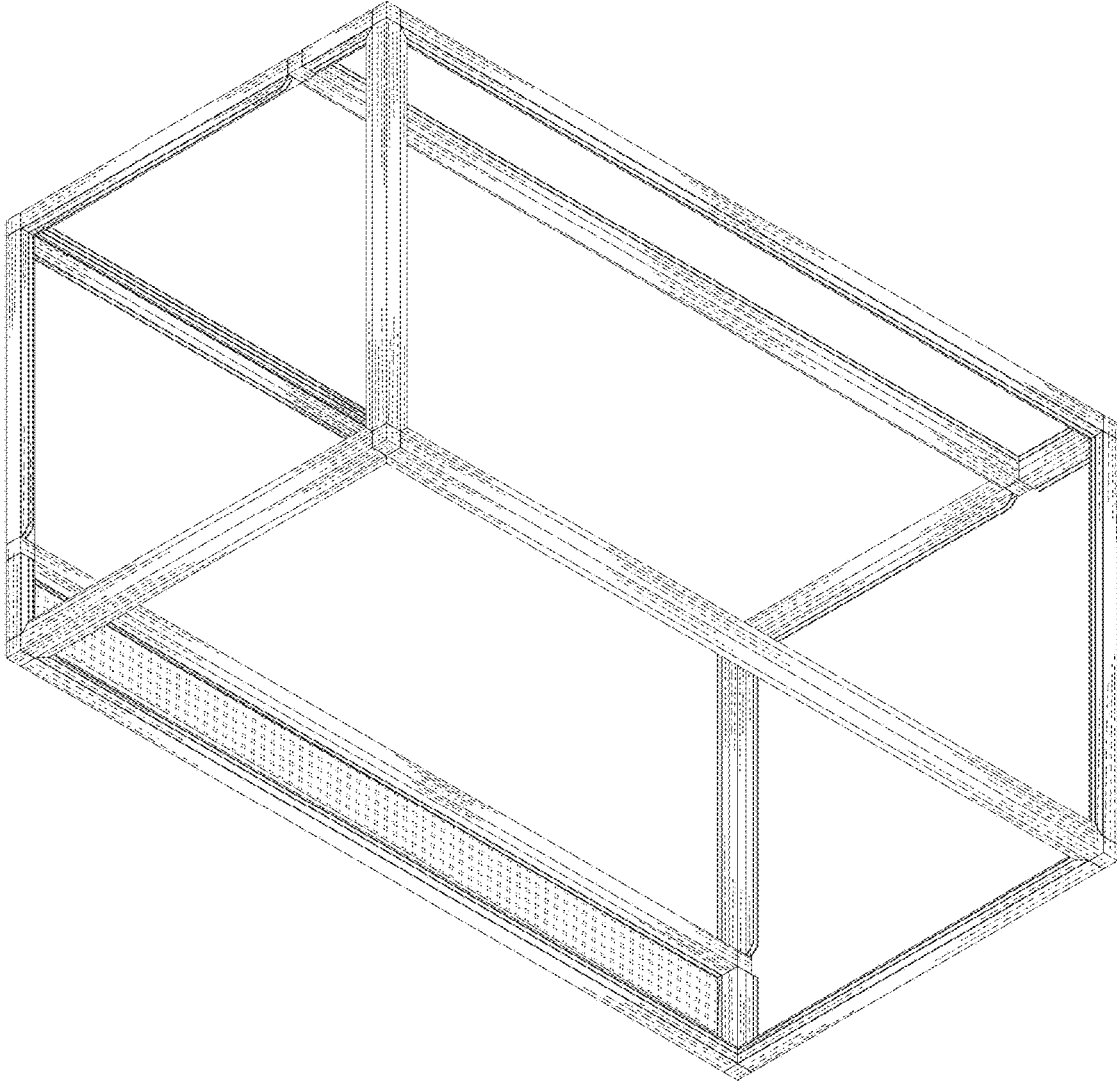


FIG. 3

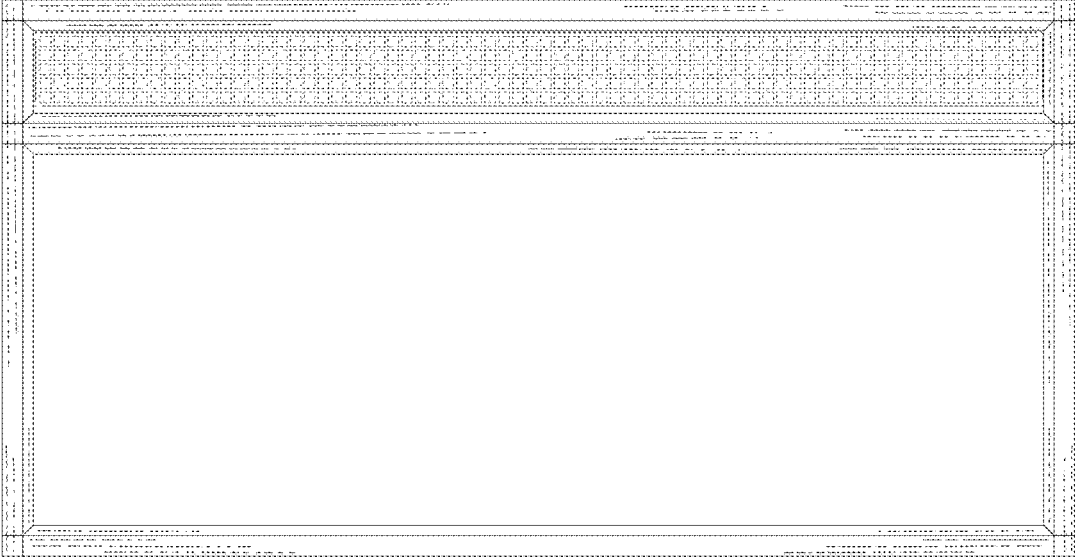


FIG. 4



FIG. 5

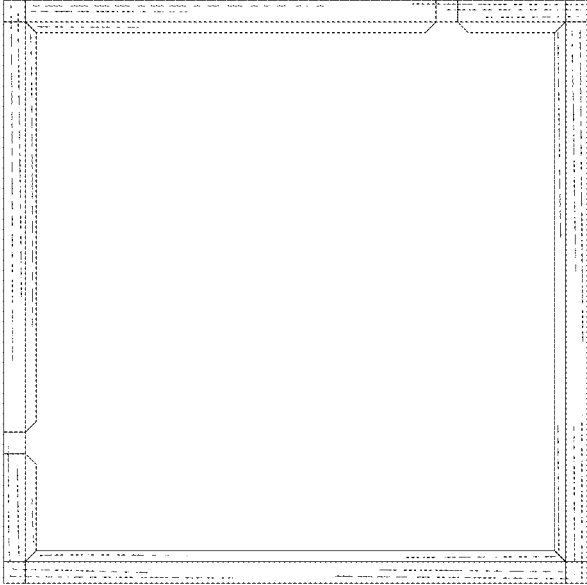


FIG. 6



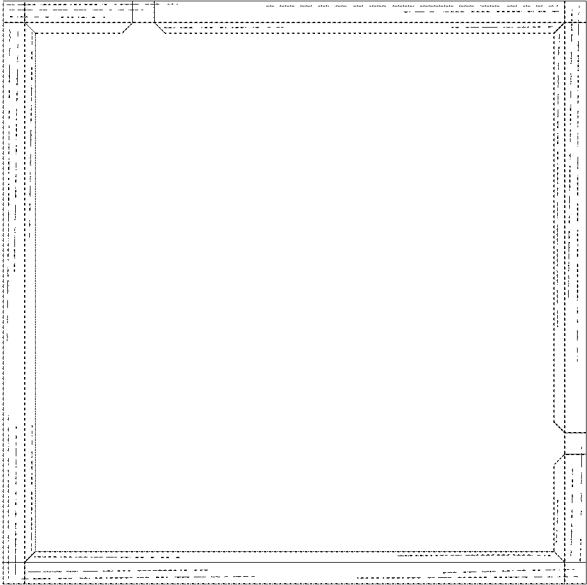


FIG. 7

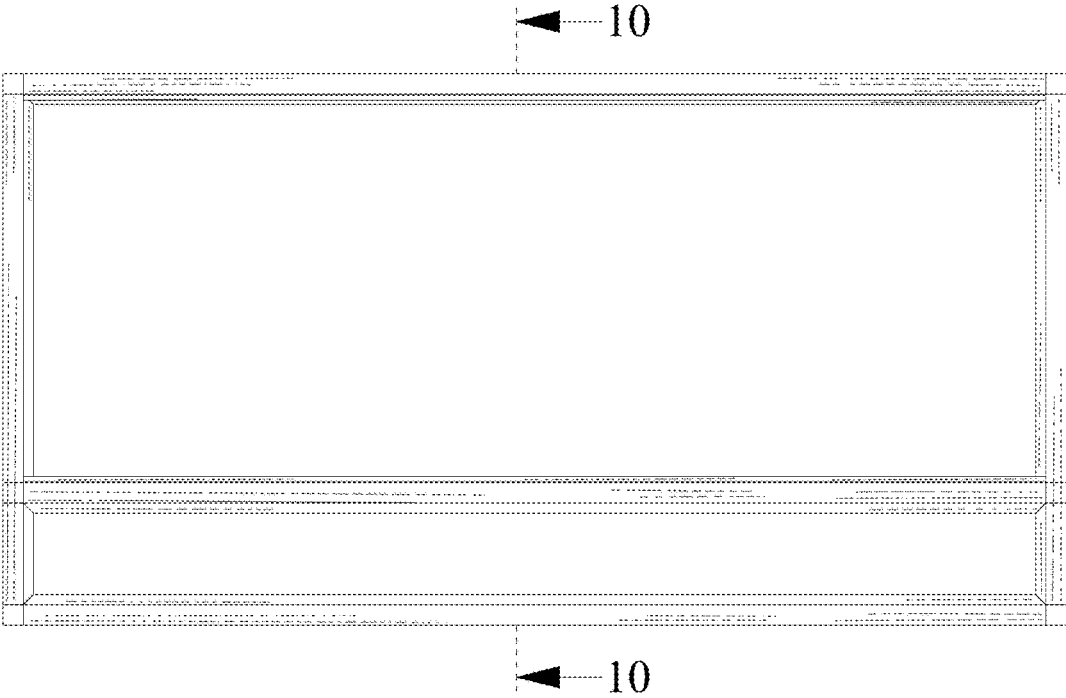


FIG. 8



FIG. 9

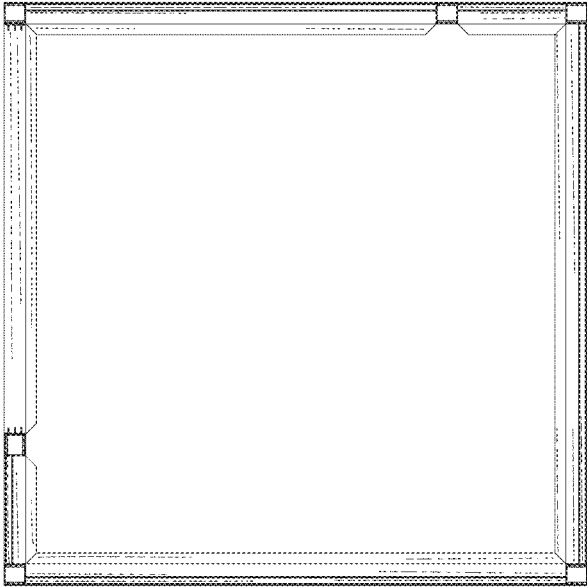


FIG. 10