



(12) **United States Design Patent**  
**Belamich**

(10) **Patent No.:** **US D761,669 S**  
(45) **Date of Patent:** **\*\* Jul. 19, 2016**

(54) **WATCH**

(71) Applicant: **Bell & Ross B.V.**, Zoetermeer (NL)

(72) Inventor: **Bruno Belamich**, Paris (FR)

(73) Assignee: **BELL & ROSS B.V.**, Zoetermeer (NL)

(\*\*) Term: **15 Years**

(21) Appl. No.: **29/548,730**

(22) Filed: **Dec. 16, 2015**

**Related U.S. Application Data**

(62) Division of application No. 29/497,423, filed on Jul. 24, 2014.

**Foreign Application Priority Data**

Feb. 12, 2014 (EM) ..... 001 402 861-0001

Feb. 12, 2014 (EM) ..... 001 402 861-0002

Feb. 12, 2014 (EM) ..... 001 402 861-0003

(51) **LOC (10) Cl.** ..... **10-02**

(52) **U.S. Cl.**  
USPC ..... **D10/39; D10/126**

(58) **Field of Classification Search**

USPC ..... D10/30-39, 1-29, 122-132  
CPC ..... G04B 15/00; G04B 15/06; G04B 19/00;  
G04B 19/06; G04B 19/065; G04B 19/08;  
G04B 19/10; G04B 19/24; G04B 19/283;  
G04B 37/00; G04B 37/0008; G04B 37/0058;  
G04B 37/1486; G04B 45/00; G04B 45/0069;  
G04F 7/00; G04F 7/06; G04F 7/08; G04F  
7/0866

See application file for complete search history.

(56) **References Cited**

U.S. PATENT DOCUMENTS

2,232,300 A	2/1941	Arbey	
3,395,531 A	8/1968	Caprara	
3,427,800 A *	2/1969	Blum	G04B 19/283 368/223
4,218,873 A	8/1980	Lang	
4,390,288 A	6/1983	Arnoux	
4,620,798 A	11/1986	Scarizzi	
D287,470 S *	12/1986	Houlihan	D10/30
6,587,400 B1	7/2003	Line	
D537,371 S	2/2007	Belamich	
D565,972 S *	4/2008	Rochat	D10/39
D568,181 S *	5/2008	Rabassa	D10/39
D577,611 S	9/2008	Lalo	
D578,412 S	10/2008	Belamich	
D583,259 S *	12/2008	Arpa	D10/39
D585,769 S *	2/2009	Belamich	D10/39
D585,770 S *	2/2009	Belamich	D10/39
D588,025 S	3/2009	Belamich	
D594,352 S	6/2009	Belamich	
D598,304 S	8/2009	Belamich	
D606,424 S *	12/2009	Inoue	D10/39
7,628,530 B2	12/2009	Andren et al.	
D630,530 S *	1/2011	Nunes	D10/38

(Continued)

*Primary Examiner* — Martie K Holtje

(74) *Attorney, Agent, or Firm* — Volpe and Koenig, P.C.

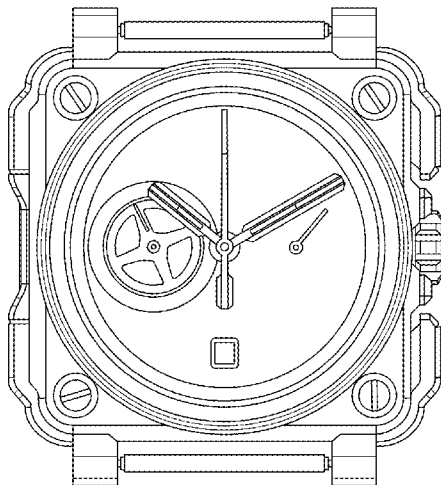
(57) **CLAIM**

The ornamental design for a watch, as shown and described.

**DESCRIPTION**

FIG. 1 is top plan view of the watch according to my design; FIG. 2 is a right side elevational view thereof; FIG. 3 is a left side elevational view thereof; FIG. 4 is a rear elevational view thereof; FIG. 5 is a front elevational view thereof; FIG. 6 is a top, right front perspective view thereof; and, FIG. 7 is a bottom plan view thereof. The structural features depicted by broken lines in FIG. 7 have been shown for the purpose of illustrating portions of the watch that form no part of the claimed design.

**1 Claim, 4 Drawing Sheets**



# US D761,669 S

Page 2

---

(56)

## References Cited

### U.S. PATENT DOCUMENTS

D630,531 S *	1/2011	Nunes	.....	D10/38	D668,970 S	10/2012	Nunes	
D632,593 S	2/2011	Nunes			D705,088 S *	5/2014	Emch	..... D10/39
D635,867 S	4/2011	Nunes			D717,669 S *	11/2014	Tak	..... D10/38
					D726,556 S *	4/2015	Lasserre	..... D10/39

\* cited by examiner

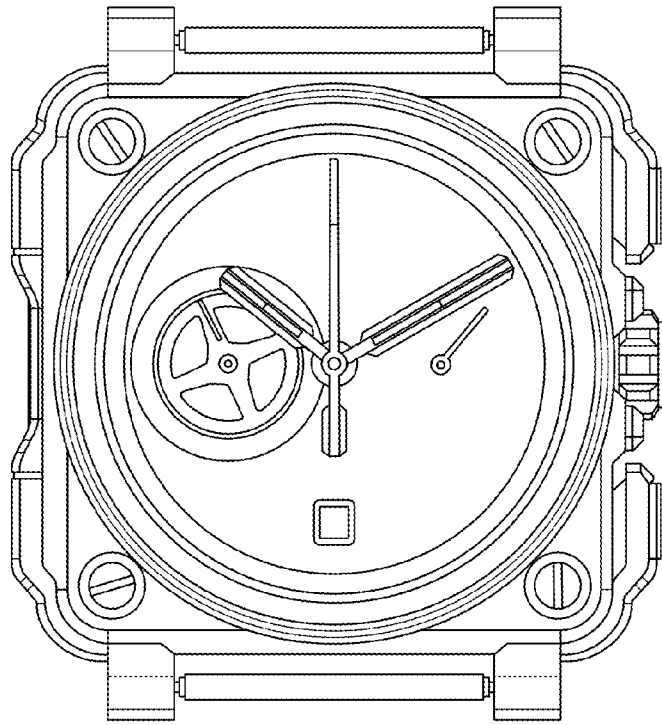


FIG. 1

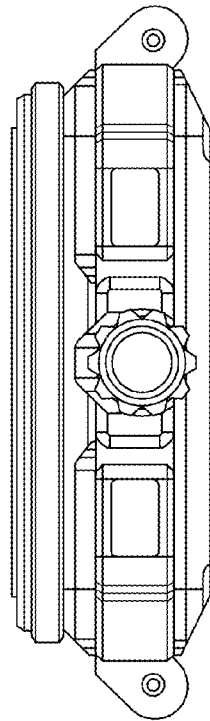
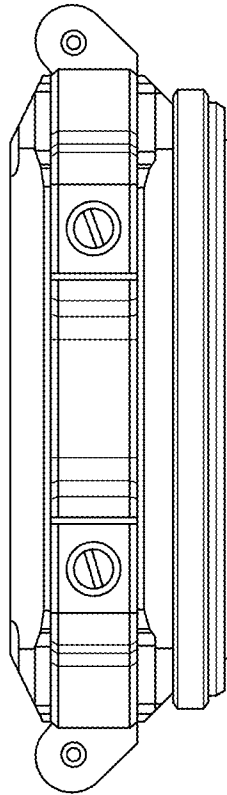
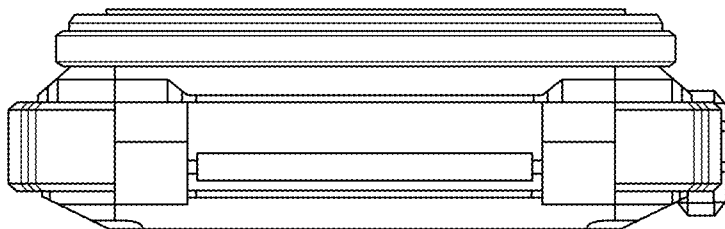


FIG. 2



**FIG. 3**



**FIG. 4**

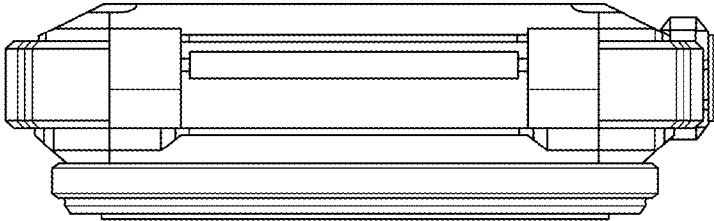


FIG. 5

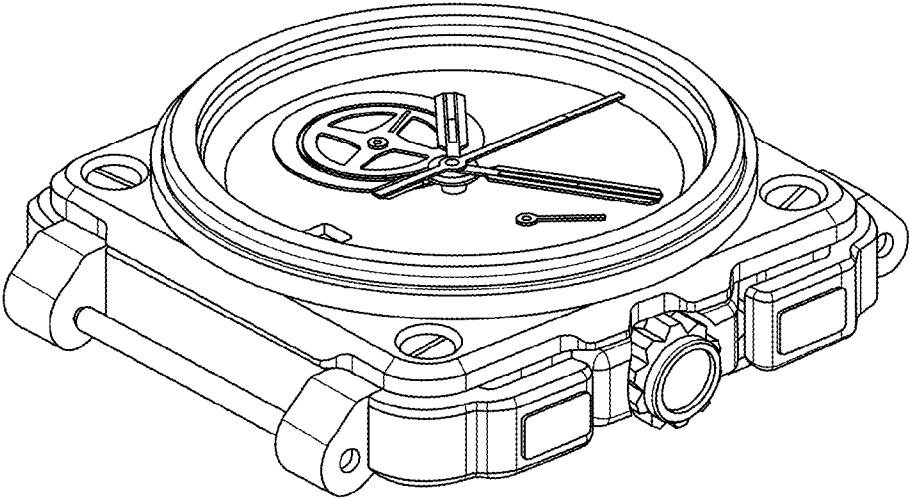


FIG. 6

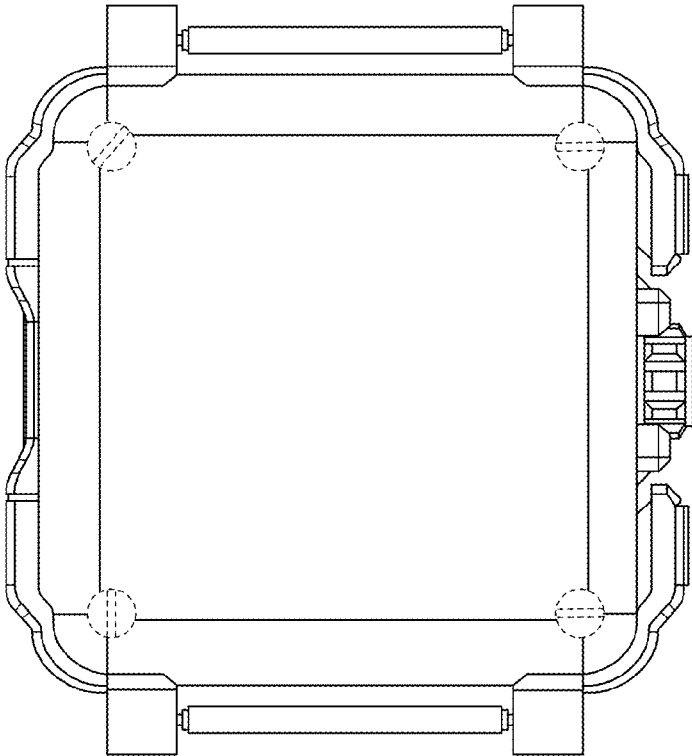


FIG. 7