

(19) World Intellectual Property Organization
International Bureau



(43) International Publication Date
23 December 2009 (23.12.2009)

PCT

(10) International Publication Number
WO 2009/153358 A3

(51) International Patent Classification:
H04R 25/00 (2006.01)

(21) International Application Number:
PCT/EP2009/062965

(22) International Filing Date:
6 October 2009 (06.10.2009)

(25) Filing Language: English

(26) Publication Language: English

(71) Applicant (for all designated States except US):
PHONAK AG [CH/CH]; Laubisrütistrasse 28, CH-8712
Stäfa (CH).

(72) Inventors; and

(75) Inventors/Applicants (for US only): **PORTMANN, Paul**
[CH/CH]; Wollerauerstrasse 49, CH-8834 Schindellegi
(CH). **DITTLI, Erich** [CH/CH]; Bahnhofstrasse 15e,
CH-8864 Reichenburg (CH). **GABATHULER, Bruno**
[CH/CH]; Huebbrunnenstrasse 2, CH-8627 Grtiningen
(CH). **KARAMUK, Erdal** [CH/CH]; Lütisämetstrasse
93, CH-8706 Meilen (CH).

(74) Agent: **IRNIGER, Erst**; Troesch Scheidegger Werner
AG, Schwäntenmos 14, CH-8126 Zumikon (CH).

(81) Designated States (unless otherwise indicated, for every
kind of national protection available): AE, AG, AL, AM,
AO, AT, AU, AZ, BA, BB, BG, BH, BR, BW, BY, BZ,
CA, CH, CL, CN, CO, CR, CU, CZ, DE, DK, DM, DO,
DZ, EC, EE, EG, ES, FI, GB, GD, GE, GH, GM, GT,
HN, HR, HU, ID, IL, IN, IS, JP, KE, KG, KM, KN, KP,
KR, KZ, LA, LC, LK, LR, LS, LT, LU, LY, MA, MD,
ME, MG, MK, MN, MW, MX, MY, MZ, NA, NG, NI,
NO, NZ, OM, PE, PG, PH, PL, PT, RO, RS, RU, SC, SD,
SE, SG, SK, SL, SM, ST, SV, SY, TJ, TM, TN, TR, TT,
TZ, UA, UG, US, UZ, VC, VN, ZA, ZM, ZW.

(84) Designated States (unless otherwise indicated, for every
kind of regional protection available): ARIPO (BW, GH,
GM, KE, LS, MW, MZ, NA, SD, SL, SZ, TZ, UG, ZM,
ZW), Eurasian (AM, AZ, BY, KG, KZ, MD, RU, TJ,
TM), European (AT, BE, BG, CH, CY, CZ, DE, DK, EE,
ES, FI, FR, GB, GR, HR, HU, IE, IS, IT, LT, LU, LV,
MC, MK, MT, NL, NO, PL, PT, RO, SE, SI, SK, SM,
TR), OAPI (BF, BJ, CF, CG, CI, CM, GA, GN, GQ, GW,
ML, MR, NE, SN, TD, TG).

Declarations under Rule 4.17:

[Continued on next page]

(54) Title: INTEGRAL CONNECTOR FOR PROGRAMMING A HEARING DEVICE

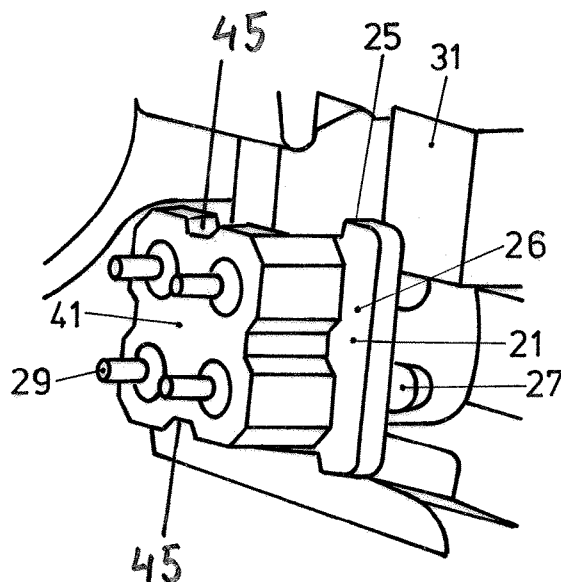


FIG. 3a

(57) Abstract: For the connection of a programming device to a hearing device an insertable plate (21) into the casing or frame of the hearing device is provided, comprising on one side contacts (29) to the hearing device electronics and on the other side contact pins (27), provided for the connection of a contact adapter/cable system of the programming device.



WO 2009/153358 A3



— *of inventorship (Rule 4.17(iv))*

— *upon request of the applicant, before the expiration of the time limit referred to in Article 21(2)(a)*

Published:

— *with international search report (Art. 21(3))*

(88) Date of publication of the international search report:

1 July 2010

— *before the expiration of the time limit for amending the claims and to be republished in the event of receipt of amendments (Rule 48.2(h))*

INTERNATIONAL SEARCH REPORT

International application No
PCT/EP2009/062965

A. CLASSIFICATION OF SUBJECT MATTER INV. H04R25/00 ADD.				
According to International Patent Classification (IPC) or to both national classification and IPC				
B. FIELDS SEARCHED				
Minimum documentation searched (classification system followed by classification symbols) H04R				
Documentation searched other than minimum documentation to the extent that such documents are included in the fields searched				
Electronic data base consulted during the international search (name of data base and, where practical, search terms used) EPO-Internal				
C. DOCUMENTS CONSIDERED TO BE RELEVANT				
Category*	Citation of document, with indication, where appropriate, of the relevant passages	Relevant to claim No.		
X	US 5 404 407 A (WEISS HANS-JOACHIM [DE]) 4 April 1995 (1995-04-04) Hearing aid with a programming socket. The programming socket can be used to hold a switch element when not in use, in order to save space. ; column 2, line 16 - column 4, line 14; figures 1-4	1-7		
X	US 2009/042426 A1 (KRAMER WOLFGANG [DE]) 12 February 2009 (2009-02-12) page 1, paragraph 8 - page 2, paragraph 44; figures 1-5	1-7		
E	WO 2010/034353 A1 (OTICON AS [DK]; HANSEN JACOB HOLDT [DK]; LARSEN JAN T L [DK]; KLEMMENS) 1 April 2010 (2010-04-01) page 7, line 1 - page 15, line 33; figures 1, 5, 7, 9, 11, 14-15, 20-23	1-3,7,8		
-/--				
<input checked="" type="checkbox"/> Further documents are listed in the continuation of Box C.				
<input checked="" type="checkbox"/> See patent family annex.				
* Special categories of cited documents :				
<table style="width:100%; border: none;"> <tr> <td style="width: 50%; vertical-align: top;"> "A" document defining the general state of the art which is not considered to be of particular relevance "E" earlier document but published on or after the international filing date "L" document which may throw doubts on priority claim(s) or which is cited to establish the publication date of another citation or other special reason (as specified) "O" document referring to an oral disclosure, use, exhibition or other means "P" document published prior to the international filing date but later than the priority date claimed </td> <td style="width: 50%; vertical-align: top;"> "T" later document published after the international filing date or priority date and not in conflict with the application but cited to understand the principle or theory underlying the invention "X" document of particular relevance; the claimed invention cannot be considered novel or cannot be considered to involve an inventive step when the document is taken alone "Y" document of particular relevance; the claimed invention cannot be considered to involve an inventive step when the document is combined with one or more other such documents, such combination being obvious to a person skilled in the art. "&" document member of the same patent family </td> </tr> </table>			"A" document defining the general state of the art which is not considered to be of particular relevance "E" earlier document but published on or after the international filing date "L" document which may throw doubts on priority claim(s) or which is cited to establish the publication date of another citation or other special reason (as specified) "O" document referring to an oral disclosure, use, exhibition or other means "P" document published prior to the international filing date but later than the priority date claimed	"T" later document published after the international filing date or priority date and not in conflict with the application but cited to understand the principle or theory underlying the invention "X" document of particular relevance; the claimed invention cannot be considered novel or cannot be considered to involve an inventive step when the document is taken alone "Y" document of particular relevance; the claimed invention cannot be considered to involve an inventive step when the document is combined with one or more other such documents, such combination being obvious to a person skilled in the art. "&" document member of the same patent family
"A" document defining the general state of the art which is not considered to be of particular relevance "E" earlier document but published on or after the international filing date "L" document which may throw doubts on priority claim(s) or which is cited to establish the publication date of another citation or other special reason (as specified) "O" document referring to an oral disclosure, use, exhibition or other means "P" document published prior to the international filing date but later than the priority date claimed	"T" later document published after the international filing date or priority date and not in conflict with the application but cited to understand the principle or theory underlying the invention "X" document of particular relevance; the claimed invention cannot be considered novel or cannot be considered to involve an inventive step when the document is taken alone "Y" document of particular relevance; the claimed invention cannot be considered to involve an inventive step when the document is combined with one or more other such documents, such combination being obvious to a person skilled in the art. "&" document member of the same patent family			
Date of the actual completion of the international search <p align="center" style="font-size: large;">30 April 2010</p>	Date of mailing of the international search report <p align="center" style="font-size: large;">12/05/2010</p>			
Name and mailing address of the ISA/ European Patent Office, P.B. 5818 Patentlaan 2 NL - 2280 HV Rijswijk Tel. (+31-70) 340-2040, Fax: (+31-70) 340-3016	Authorized officer <p align="center" style="font-size: large;">Duffner, Orla</p>			

INTERNATIONAL SEARCH REPORT

International application No
PCT/EP2009/062965

C(Continuation). DOCUMENTS CONSIDERED TO BE RELEVANT		
Category*	Citation of document, with indication, where appropriate, of the relevant passages	Relevant to claim No.
A	<p>DE 10 2008 022926 A1 (SIEMENS MEDICAL INSTR PTE LTD [SG]) 4 June 2009 (2009-06-04) Hearing aid with an integral CS44 programming socket.; page 2, paragraph 1 - page 4, paragraph 30; figures 1-3 -----</p>	1-7
A	<p>WO 98/12897 A1 (SIEMENS HEARING INSTR INC [US]) 26 March 1998 (1998-03-26) page 2 - page 7, line 31; figures 1-8 -----</p>	8

INTERNATIONAL SEARCH REPORT

Information on patent family members

International application No

PCT/EP2009/062965

Patent document cited in search report	Publication date	Patent family member(s)	Publication date
US 5404407	A	04-04-1995	NONE
US 2009042426	A1	12-02-2009	DE 102007037025 A1 EP 2023666 A2
			26-02-2009 11-02-2009
WO 2010034353	A1	01-04-2010	NONE
DE 102008022926	A1	04-06-2009	NONE
WO 9812897	A1	26-03-1998	BR 9712051 A CA 2265947 A1 CN 1230330 A DE 69708661 D1 DE 69708661 T2 DK 927502 T3 EP 0927502 A1 ES 2168667 T3 JP 2001500708 T
			24-08-1999 26-03-1998 29-09-1999 10-01-2002 05-09-2002 02-04-2002 07-07-1999 16-06-2002 16-01-2001