

(19) World Intellectual Property Organization
International Bureau



(43) International Publication Date
12 March 2009 (12.03.2009)

PCT

(10) International Publication Number
WO 2009/031069 A3

(51) International Patent Classification:
A61F 13/15 (2006.01)

(21) International Application Number:

PCT/IB2008/053411

(22) International Filing Date: 25 August 2008 (25.08.2008)

(25) Filing Language: English

(26) Publication Language: English

(30) Priority Data:
11/899,656 7 September 2007 (07.09.2007) US

(71) Applicant (for all designated States except US): THE PROCTER & GAMBLE COMPANY [US/US]; One Procter & Gamble Plaza, Cincinnati, Ohio 45202 (US).

(72) Inventors; and

(75) Inventors/Applicants (for US only): SAUER, Andrew, James [US/US]; 10203 Dewhill Lane, Cincinnati, Ohio 45251 (US). TRENNEPOHL, Michael, Dale [US/US]; 4000 Simca Lane, Cincinnati, Ohio 45211 (US).

(74) Common Representative: THE PROCTER & GAMBLE COMPANY; c/o Eileen L. Hughett Global Patent, Services 299 East Sixth Street Sycamore, Building, 4th Floor, Cincinnati, Ohio 45202 (US).

(81) Designated States (unless otherwise indicated, for every kind of national protection available): AE, AG, AL, AM, AO, AT, AU, AZ, BA, BB, BG, BH, BR, BW, BY, BZ, CA, CH, CN, CO, CR, CU, CZ, DE, DK, DM, DO, DZ, EC, EE, EG, ES, FI, GB, GD, GE, GH, GM, GT, HN, HR, HU, ID, IL, IN, IS, JP, KE, KG, KM, KN, KP, KR, KZ, LA, LC, LK, LR, LS, LT, LU, LY, MA, MD, ME, MG, MK, MN, MW, MX, MY, MZ, NA, NG, NI, NO, NZ, OM, PG, PH, PL, PT, RO, RS, RU, SC, SD, SE, SG, SK, SL, SM, ST, SV, SY, TJ, TM, TN, TR, TT, TZ, UA, UG, US, UZ, VC, VN, ZA, ZM, ZW.

(84) Designated States (unless otherwise indicated, for every kind of regional protection available): ARIPO (BW, GH, GM, KE, LS, MW, MZ, NA, SD, SL, SZ, TZ, UG, ZM, ZW), Eurasian (AM, AZ, BY, KG, KZ, MD, RU, TJ, TM), European (AT, BE, BG, CH, CY, CZ, DE, DK, EE, ES, FI, FR, GB, GR, HR, HU, IE, IS, IT, LT, LU, LV, MC, MT, NL,

[Continued on next page]

(54) Title: DISPOSABLE WEARABLE ABSORBENT ARTICLES WITH ANCHORING SUBSYSTEMS

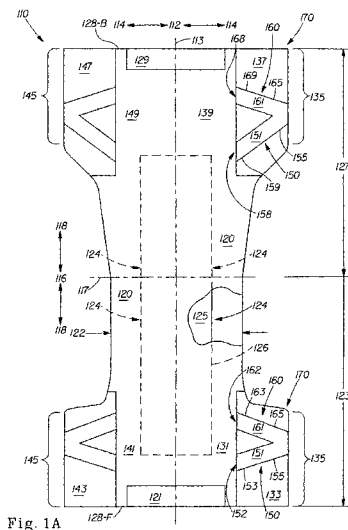


Fig. 1A

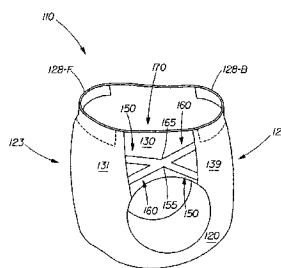


Fig. 1B

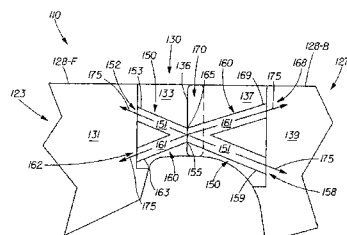


Fig. 1C

(57) Abstract: The present disclosure includes an embodiment wherein a disposable wearable absorbent article comprises an absorbent core and a side with a side anchoring subsystem. The side anchoring subsystem is configured to indirectly anchor the absorbent core to a wearer of the article. The side includes a first portion, in which substantially all of the side anchoring subsystem is integral with the side, and a second portion, outside of the first portion.

WO 2009/031069 A3



NO, PL, PT, RO, SE, SI, SK, TR), OAPI (BF, BJ, CF, CG,
CI, CM, GA, GN, GQ, GW, ML, MR, NE, SN, TD, TG).

— *before the expiration of the time limit for amending the
claims and to be republished in the event of receipt of
amendments*

Published:

— *with international search report*

(88) Date of publication of the international search report:

23 April 2009

INTERNATIONAL SEARCH REPORT

International application No

PCT/IB2008/053411

A. CLASSIFICATION OF SUBJECT MATTER INV. A61F13/15		
According to International Patent Classification (IPC) or to both national classification and IPC		
B. FIELDS SEARCHED		
Minimum documentation searched (classification system followed by classification symbols) A61F		
Documentation searched other than minimum documentation to the extent that such documents are included in the fields searched		
Electronic data base consulted during the international search (name of data base and, where practical, search terms used) EPO-Internal		
C. DOCUMENTS CONSIDERED TO BE RELEVANT		
Category*	Citation of document, with indication, where appropriate, of the relevant passages	Relevant to claim No.
X	US 5 873 870 A (SEITZ BRET DARREN [US] ET AL) 23 February 1999 (1999-02-23) figures 1-7 claim 10 column 13, line 44 - line 65	1-10
X	WO 2007/015217 A (PROCTER & GAMBLE [US]; EHRNSPERGER BRUNO JOHANNES [US]; SAUER ANDREW J) 8 February 2007 (2007-02-08) claim 1 figures 7,15	1-10
X	US 5 899 895 A (ROBLES MIGUEL A [US] ET AL) 4 May 1999 (1999-05-04) figures 1-13 abstract claim 1	1-10
	----- -/--	
<input checked="" type="checkbox"/> Further documents are listed in the continuation of Box C. <input checked="" type="checkbox"/> See patent family annex.		
* Special categories of cited documents :		
A document defining the general state of the art which is not considered to be of particular relevance *E* earlier document but published on or after the international filing date *L* document which may throw doubts on priority claim(s) or which is cited to establish the publication date of another citation or other special reason (as specified) *O* document referring to an oral disclosure, use, exhibition or other means *P* document published prior to the international filing date but later than the priority date claimed		*T* later document published after the international filing date or priority date and not in conflict with the application but cited to understand the principle or theory underlying the invention *X* document of particular relevance; the claimed invention cannot be considered novel or cannot be considered to involve an inventive step when the document is taken alone *Y* document of particular relevance; the claimed invention cannot be considered to involve an inventive step when the document is combined with one or more other such documents, such combination being obvious to a person skilled in the art. *S* document member of the same patent family
Date of the actual completion of the international search 16 January 2009		Date of mailing of the international search report 11/02/2009
Name and mailing address of the ISA/ European Patent Office, P.B. 5818 Patentlaan 2 NL - 2280 HV Rijswijk Tel. (+31-70) 340-2040, Fax: (+31-70) 340-3016		Authorized officer Gennari, Silvia

INTERNATIONAL SEARCH REPORT

International application No
PCT/IB2008/053411

C(Continuation). DOCUMENTS CONSIDERED TO BE RELEVANT		
Category*	Citation of document, with indication, where appropriate, of the relevant passages	Relevant to claim No.
X	US 5 846 232 A (SERBIAK PAUL JOHN [US] ET AL) 8 December 1998 (1998-12-08) abstract claim 1 figures 1-9 -----	1-10
X	US 6 572 598 B1 (ASHTON GREGORY [JP] ET AL) 3 June 2003 (2003-06-03) abstract figures 1-18 -----	1-10
P, X	WO 2007/146152 A (PROCTER & GAMBLE [US]; LODGE RICHARD WORTHINGTON [US]; DESAI FRED NAVA) 21 December 2007 (2007-12-21) figures 1-22 abstract -----	1-10

INTERNATIONAL SEARCH REPORT

Information on patent family members

International application No

PCT/IB2008/053411

Patent document cited in search report		Publication date	Patent family member(s)	Publication date
US 5873870	A	23-02-1999	AT 205695 T	15-10-2001
			AU 4517896 A	10-07-1996
			CA 2206052 A1	27-06-1996
			DE 69522825 D1	25-10-2001
			DE 69522825 T2	11-04-2002
			EP 0799002 A1	08-10-1997
			ES 2160730 T3	16-11-2001
			JP 10511280 T	04-11-1998
			KR 100253785 B1	15-04-2000
			WO 9619169 A1	27-06-1996
WO 2007015217	A	08-02-2007	CA 2616630 A1	08-02-2007
			CN 101237841 A	06-08-2008
			EP 1909724 A1	16-04-2008
			US 2007032772 A1	08-02-2007
US 5899895	A	04-05-1999	NONE	
US 5846232	A	08-12-1998	AU 715677 B2	10-02-2000
			AU 1079397 A	14-07-1997
			BR 9612044 A	09-02-1999
			CA 2238444 A1	26-06-1997
			CN 1211173 A	17-03-1999
			CZ 9801935 A3	13-01-1999
			DE 69633020 D1	02-09-2004
			DE 69633020 T2	30-12-2004
			EP 0869757 A1	14-10-1998
			JP 2000502268 T	29-02-2000
			JP 4173545 B2	29-10-2008
			NZ 323770 A	28-01-2000
			PL 327411 A1	07-12-1998
			RU 2194480 C2	20-12-2002
			SK 85898 A3	11-01-1999
			TR 9801157 T2	21-09-1998
			WO 9722318 A1	26-06-1997
ZA 9609956 A	18-06-1997			
US 6572598	B1	03-06-2003	NONE	
WO 2007146152	A	21-12-2007	US 2007287982 A1	13-12-2007
			US 2008015537 A1	17-01-2008
			WO 2007146146 A2	21-12-2007
			WO 2007146147 A2	21-12-2007
			WO 2007146150 A1	21-12-2007
			WO 2007146151 A1	21-12-2007