

[54] SEAT

[76] Inventors: **Thomas P. Sauls**, P.O. Box 1138, Dunnellon, Fla. 32630; **Douglas M. Lane**, Rte. 3, Box 588, Crystal River, Fla. 32629

[**] Term: **14 Years**

[21] Appl. No.: **13,032**

[22] Filed: **Feb. 21, 1979**

[51] Int. Cl. **D6—01**

[52] U.S. Cl. **D6/60; D6/70**

[58] Field of Search **D6/47-78, D6/42, 45**

[56] **References Cited**

U.S. PATENT DOCUMENTS

D. 99,774	5/1936	Birren	D6/60
D. 240,097	6/1976	Box	D6/60
2,979,122	4/1961	Knoll	D6/61 X

Primary Examiner—Bruce W. Dunkins
Attorney, Agent, or Firm—Frijouf, Rust & Pyle

[57] **CLAIM**

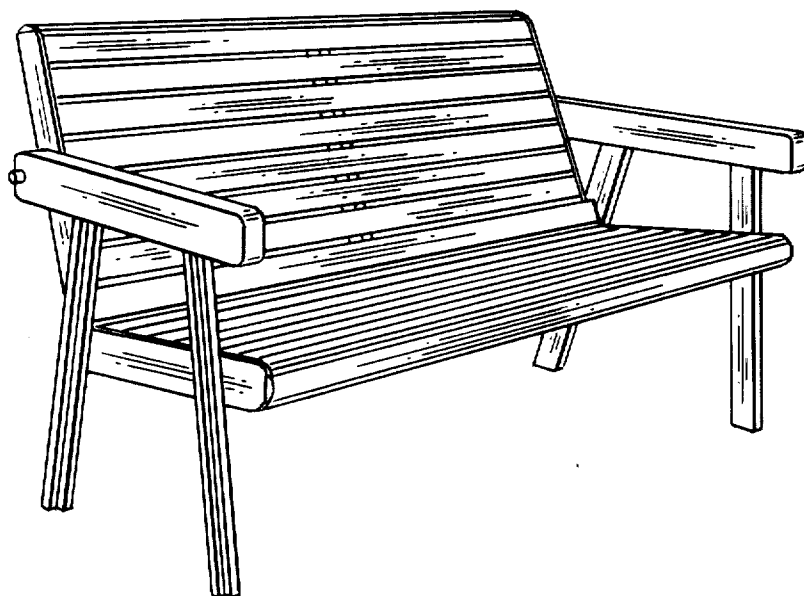
The ornamental design for a seat, as shown and described.

DESCRIPTION

FIG. 1 is a front perspective view of a bench showing our new design; and

FIG. 2 is a rear perspective view thereof;

The end of the bench not shown is a mirror image of the side shown.



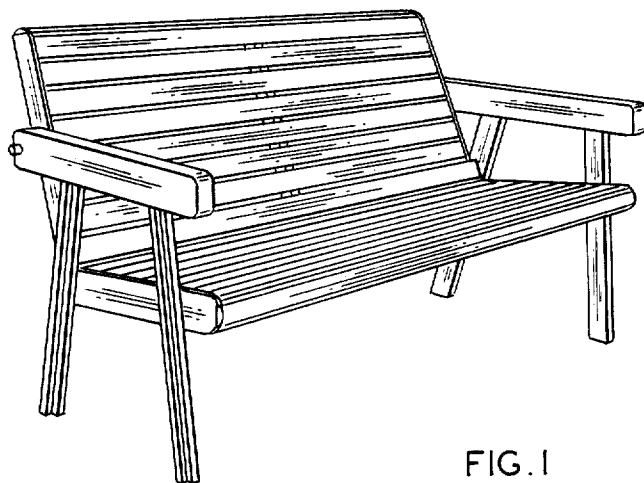


FIG. 1

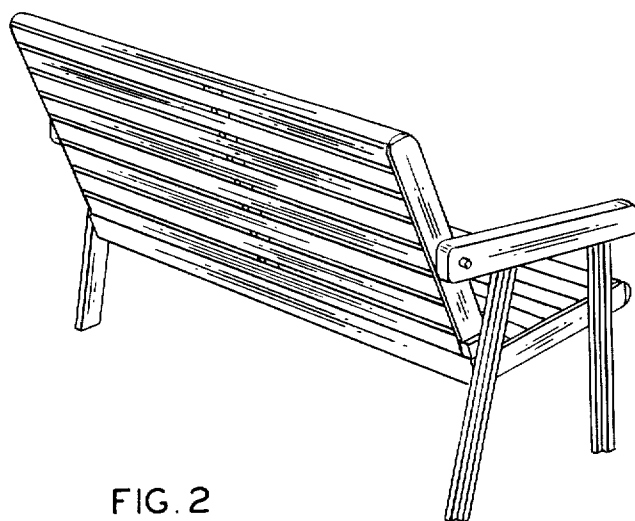


FIG. 2