



INTERNATIONAL APPLICATION PUBLISHED UNDER THE PATENT COOPERATION TREATY (PCT)

(51) International Patent Classification⁵ : D06N 7/00, B32B 5/18, 5/26	A1	(11) International Publication Number: WO 93/10303 (43) International Publication Date: 27 May 1993 (27.05.93)
(21) International Application Number: PCT/US92/09759 (22) International Filing Date: 10 November 1992 (10.11.92) (30) Priority data: 07/790,370 12 November 1991 (12.11.91) US (71) Applicant: INTERFACE, INC. [US/US]; P.O. Box 1509, Orchard Hill Road, La Grange, GA 30241 (US). (72) Inventors: BELL, Peter, William ; 4 Logan Court, Troon, Ayrshire KA10 6PS (GB). CLAESSEN, Johannes, A., H. ; Kleinhorst 11, NL-3833 WG Leusden (NL). (74) Agent: CROWLEY, Richard, P.; P.O. Box 901, 901 Main Street, Osterville, MA 02655-0901 (US).		(81) Designated States: AU, BR, CA, JP, KR, European patent (AT, BE, CH, DE, DK, ES, FR, GB, GR, IE, IT, LU, MC, NL, SE). Published <i>With international search report.</i>
(54) Title: RESILIENT FOAM-BACKED CARPET AND METHOD OF PREPARATION		
(57) Abstract <p>A floor covering, such as a carpet or carpet tile, which comprises a primary backing sheet having a fibrous face wear surface and back surface and first and second backing layers and with a low density, resilient, non-elastomeric, closed cell polymeric foam layer, such as a thermoset, cross-linked polyethylene foam layer, positioned between and bonded to the first and second backing layers, optionally with a secondary backing layer bonded to the secondary bitumen backing layer. A method of producing a floor covering, such as a carpet tile, which comprises providing a primary backing sheet having a fibrous face wear surface and a back surface and bonding a first bitumen backing layer onto the primary backing sheet, bonding a low density, thermoset, polymeric foam layer to the first bitumen backing layer through a glass tissue to protect the polymeric foam layer and stabilize the composite, and bonding a second bitumen backing layer onto the polymeric foam layer. The second bitumen layer being beyond to a non-woven base wets through a glass tissue to protect the subfloor and stabilize the composite.</p>		

FOR THE PURPOSES OF INFORMATION ONLY

Codes used to identify States party to the PCT on the front pages of pamphlets publishing international applications under the PCT.

AT	Austria	FR	France	MR	Mauritania
AU	Australia	GA	Gabon	MW	Malawi
BB	Barbados	GB	United Kingdom	NL	Netherlands
BE	Belgium	GN	Guinea	NO	Norway
BF	Burkina Faso	GR	Greece	NZ	New Zealand
BG	Bulgaria	HU	Hungary	PL	Poland
BJ	Benin	IE	Ireland	PT	Portugal
BR	Brazil	IT	Italy	RO	Romania
CA	Canada	JP	Japan	RU	Russian Federation
CF	Central African Republic	KP	Democratic People's Republic of Korea	SD	Sudan
CG	Congo	KR	Republic of Korea	SE	Sweden
CH	Switzerland	KZ	Kazakhstan	SK	Slovak Republic
CI	Côte d'Ivoire	LJ	Liechtenstein	SN	Senegal
CM	Cameroon	LK	Sri Lanka	SU	Soviet Union
CS	Czechoslovakia	LU	Luxembourg	TD	Chad
CZ	Czech Republic	MC	Monaco	TG	Togo
DE	Germany	MG	Madagascar	UA	Ukraine
DK	Denmark	ML	Mali	US	United States of America
ES	Spain	MN	Mongolia	VN	Viet Nam
FI	Finland				

DESCRIPTION

Resilient Foam-Backed Carpet and Method of Preparation

Background of the Invention

Floor surface covering materials, such as carpets,
5 and more particularly carpet tiles, typically comprise
a traffic-bearing or wear face surface on a primary
backing, such as a fibrous face surface, which has been
woven, needle-punctured, fusion-bonded or otherwise
10 secured to a primary backing layer or sheet, and a back
surface to which is bonded one or more layers of solid
or foam backing material. A solid backing material
typically comprises a polyvinyl chloride backing material
or a bitumen or atactic polypropylene backing layer,
15 which are thermoplastic-type materials and which require
different techniques in the coating process due the
nature of the backing materials. Foam backing layers
usually comprise a soft, resilient foam material, such
as a polyvinyl chloride foam, a urethane foam or an
20 elastomer latex-type foam, such as a
styrene-butadiene-styrene rubber foam, to provide a
resilient cushioning effect, and which foam is secured
by an adhesive layer to the backing layer or directly
to the back surface of the primary backing layer. The
foam backing layer is selected to be resilient, i.e.
25 elastomeric in properties, and to have a high compression
strength and a low compression set, that is, the foam
will upon compression rebound quickly or retain its
original dimensions after repeated or prolonged use
so as not to deform the face of the carpet, such as
30 for example where chair or table legs are placed on
the face surface of the carpet for short or extended
time periods. Such floor surface coverings may also
optionally have embossed back surfaces or have secondary
backing layers, such as polyester or polypropylene layers,
35 applied to the back surface of the floor surface material.

The covering also may include for example continuous or discontinuous, pressure-sensitive adhesive material with or without a release sheet for securing the surface covering to the substrate to which it is going to be applied.

It is desirable to provide for a new and improved foam-containing floor surface covering material and method of preparation which employs foam material in the backing layer and to provide a lightweight, resilient, cushioned floor surface covering material, particularly a foam-containing, backed carpet tile.

Summary of the Invention

The invention relates to a foam-backed floor covering material, particularly carpet tile, and to a method of preparing such floor covering material. In particular, the invention relates to a fibrous face wear surface carpet tile having a composite, foam-containing sandwich construction as the backing layer of the carpet tile.

The invention comprises a foam-backed floor covering, particularly a carpet tile, such as a fibrous sheet material or thermoplastic layer, composed of a primary backing layer having a fibrous wear or traffic-bearing face surface, such as a needle-punched, tufted, fusion-bonded or other fibrous material secured to or in the primary backing layer or sheet, with the backing sheet having a back surface. Where the backing layer comprises a fibrous primary backing sheet, it is optionally coated with a precoat layer, such as for example, with a latex precoat, like a carboxylated styrene-butadiene rubber precoat layer, to secure the back surface of the fibers in place. The floor covering has a composite sandwich-type backing layer secured to the back of the primary backing composed of first and second solid thermoplastic backing layers, and a polymeric foam layer positioned and bonded between the first and second solid backing layers, and optionally, containing a secondary backing layer bonded to the second solid backing layer exposed surface or an embossed back surface or an adhesive-containing back surface layer.

SUBSTITUTE SHEET

In particular, the invention comprises a carpet tile which includes a primary sheet having a fibrous face wear surface and a back surface and a first, solid thermoplastic backing layer, such as a backing layer
5 composed of a bitumen, and particularly a polymer-modified bitumen, bonded to the back surface of the primary backing sheet, and a second, solid thermoplastic backing layer, also preferably of bitumen, and particularly a polymer-modified bitumen backing layer, and a polymeric
10 foam layer, such as particularly as a substantially closed cell, cross-linked olefin, e.g. polyethylene layer, e.g. an irradiation or chemically thermoset, closed cell, cross-linked polymer, sandwiched, positioned and bonded between the first and second bitumen backing
15 layers.

The polymeric foam layer may comprise a wide variety of resilient or cushioning-type foam layers to impart a resilient or floor cushioning effect to the floor covering. Typically, the foam layer will comprise a
20 closed cell or substantially closed cell, for example over 80% to 90% closed cell, content. Where the foam layer is composed of low density, e.g. less than about 12 pounds per cubic foot of a non-elastomeric polymer, particularly of low compressive strength and high
25 compressive set, i.e. subject to distortion, the foam is not satisfactory in a carpet backing layer. It is normally expected that such foam layers, if used as an underlayer in a carpet or floor covering material, will be unsatisfactory due to the breakdown of the
30 cellular structure of the foam layer on use and in time. Generally, such foam layers breakdown under the downward and laterally mechanical forces exerted on the foam layer in use. It has been found that polymeric foam layers, particularly those closed cell foam layers not
35 usually employed in carpet backing, may be employed by employing a composite, sandwich-type construction when the polymer foam layer is bonded to and disposed between solid backing layers to form a composite,

SUBSTITUTE SHEET

solid-foam-solid backing layer for a floor covering wherein the mechanical forces are dispersed to prevent cellular damage to the foam layer. Also, it has been discovered that the foam layer may be protected further and isolated from excessive or pinpoint mechanical forces on the face surface of the resulting floor covering by the use of a first protective one or more woven or non-woven fibrous sheet material in the first thermoplastic backing layer, i.e. on top of the foam layer, such as a glass fiber tissue sheet material, e.g. porous, non-woven, resin-bonded, lightweight, tissue sheet material, which also serves to provide dimensional stability to the first top thermoplastic layer of the floor covering. The first protective sheet material prevents point load damage to the foam layer and also serves as a glass fiber sheet to protect the foam layer from the heat of the molten backing layer during manufacture. The protective layer may be placed within the first top thermoplastic layer, but generally is positioned directly adjacent the top surface of the polymeric foam layer. The relatively stiff, e.g. bitumen, first and second backing layers spread any mechanical force on the foam layer to permit the use of the foam layer which normally could not be employed as a carpet underlay material. Also, the second thermoplastic backing layer may include one or more second protective sheet materials, such as a fibrous non-woven or woven sheet material, alone or in combination, such as glass fiber tissue sheet material, non-woven polyester and non-woven polypropylene sheet material. Such sheet material may also have the function of heat shielding the foam layer or imparting dimensional stability to the second thermoplastic backing layer. The second protective sheet material may be at the back surface of the second thermoplastic backing layer as a secondary backing layer or adjacent the lower surface of the foam layer.

It has been discovered that non-elastomeric polymeric foams of low density and which are characterized by

SUBSTITUTE SHEET

low compression strength and high compression set and which previously had been thought to be unusable in connection with floor coverings may be successfully employed in floor coverings as a foam backing layer for floor surfaces, when the polymeric foam layer with little or no resilience is sandwiched between solid thermoplastic backing layers of sufficient thickness to spread the mechanical forces. For example, low density, cross-linked polyethylene foam is characterized by low compression strength and high compression set and is of a substantially closed cell nature and is not employed directly as a foam layer on the back of a floor surface covering. The application of a force upon the fibrous face surface of the floor surface covering with it cross-linked polyethylene foam backing would, in time, distort the foam backing layer by the weight of the object placed thereon, and impart a generally temporary or permanent indentation in the floor surface covering. However, it has been unexpectedly found that where such a low density polymeric foam material is sandwiched between solid backing layers in a floor surface covering, the compressive force of an object on the polymeric foam layer in the sandwich is sufficiently dispersed by the use of the sandwich-type construction so as to overcome the lesser resilient low density characteristic of the foam layer, thus permitting the foam layer to be successfully employed for example in carpet tile to provide a lightweight, but cushioning layer to the carpet.

The polymeric foam layer is a polymeric foam material characterized by a low density, for example, optionally having a range of from about 4 to 12 pounds per cubic foot (pcf) and such as for example, 4 to 8 to 10 pcf, and which foam is composed of a non-elastomeric material and has a low compression strength and high compression set such that if employed without the sandwich construction would be unsatisfactory for use. In one embodiment, the polymeric foam comprises a foam having

thermoset-type properties and closed cell or substantially closed cell in nature. While not wishing to be limited to any particularly type of foam material, it has been found that cross-linked, olefin-type foam polymers, and particularly cross-linked polyethylene or other ethylene copolymer foams, as well as styrene-based-type foams, such as polystyrene or styrene copolymers and semirigid non-elastomeric urethane foams are useful as a foam layer of the floor surface covering. The preferred foam material embodiment is a closed cell, low density (4-6 pcf), low cost, cross-linked ethylene polymer foam, such as irradiated polyethylene foam.

The sandwich-type carpet construction may be prepared in a sequence or separately prepared and then laminated to the back of a primary backing layer, i.e. sheet, to form the floor surface covering. Generally, the thickness of the first and second solid coating layer should be sufficient to distribute the compressive weight of objects placed on the wear or traffic face surface of the floor surface covering and generally would range for example from about 0.5 mm to 3 mm in thickness, such as 0.8 mm to 1 mm in thickness, and ranging in weight from about 500 g/m² to 3000 g/m², for example 1000 g/m² to 1500 g/m². The density of the SBS-modified bitumen compound ranges for 1.0 g/cm² to 1.6 g/cm² depending on the limestone content, which means that 1 mm ranges from 100 g/m² to 160 g/m². The thickness of the polymeric foam layer should be sufficient to provide the desired resilience, weight and bulk to the floor surface covering and generally would range from about 2 mm to 16 mm, for example, 4 mm to 10 mm, and ranging in weight from about 100 g/m² to 500 g/m², such as for example from 125 g/m² to 450 g/m². Generally, the thickness of the first or second layer does not exceed the thickness of the foam layer to ensure adequate cushioning and carpet resilience, and preferably the total thickness of the first and second layer is about the same or less than the foam thickness.

SUBSTITUTE SHEET

In one embodiment, the first and second backing layers comprise a bitumen-type backing layer, which backing layer may include therein a glass fiber tissue or scrim-type protective material to aid in providing dimensional stability to the backing layer and protection to the foam layer. The first and second backing layers may be prepared from the same or different material and may be the same or different thickness provided only that the thickness and material is such as to permit the use of the polymeric foam layer therebetween. The first and second backing layers preferably should be easily bonded to the polymeric foam layer, and where bonding does not readily occur between the selected first and second backing layers and the selected foam layer, then one or more thin, adhesive layers may be used, for example, of 0.05 mm to 0.1 mm. Typical adhesive layers include solvent-type reactive and contact adhesive and more particularly reactive epoxy or urethane-type adhesive to provide for a secure bonding between the bitumen first and second backing layers and for example, the cross-linked polyethylene layer where straight run or oxidized, that is, blown bitumen, are employed. If required, the surface of the foam layer maybe treated, such as by chemicals or corona discharge, to enhance the bonding properties of the foam layer.

In one preferred embodiment of the invention wherein first and second backing layers comprise bitumen, the foam layer includes a cross-linked, thermoset, olefinic foam layer, such as a cross-linked polyethylene layer. The use of adhesive tie layers may be often omitted, where the bitumen is an SBS or polyethylene polymer-modified bitumen, since such polymer-modified bitumen provides for generally good bonding strength directly between the surfaces of the cross linked foam layer and the polymer-modified first and second bitumen layers. Polymer-modified bitumen layers typically comprise a compatible polymer dispersed in to the bitumen in an amount generally ranging from 2% to 15% by weight

of the bitumen, for example, 4% to 12% by weight of the bitumen, to modify the adhesive, viscosity, flow and penetration properties of bitumen. For the purposes of illustration only, it has been found that
5 polymer-modified bitumen used as a backing layer is described in U.S. Patent 4,201,812, issued May 6, 1980, provides for good bonding directly between the surface of the cross-linked polyethylene foam and the polymer-modified bitumen layers. The polymer-modified
10 bitumen as described and disclosed in such patent is comprised of styrene-butadiene block thermoplastic copolymers which also may include inert filler material, calcium carbonate or other additive, such as plasticizers, oils, flame retardants, etc. therein to modify the
15 bitumen, wherein the resulting bitumen generally has a penetration value of from about 1 to 30 (0.1mm) at 25°C. Other polymer-modified bitumens, such as bitumen modified by polyethylene, urethane or other polymers, may be employed to provide for the direct bonding of
20 the polymeric foam layer to the first and second bitumen backing layers, such as for example, a mixture of high and low density polyethylene, as a modified, straight-run bitumen backing layer.

Generally, in the preparation of floor coverings, particularly fibrous face carpet tile having a bitumen or PVC backing layer, a secondary backing is employed, or optionally the back surface may also contain a pressure-sensitive adhesive and a release sheet thereon to permit the self-adhesive installation of the floor
30 covering directly to a substrate. The secondary backing sheet may comprise a single or composite backing sheet, for example, a backing sheet composed of a polyester or a combined polyester-polypropylene or a polypropylene, fibrous, non-woven secondary backing layer used alone
35 or in combination directly with a glass tissue sheet material, such as for example described in U.S. Patent 5,030,497, issued July 9, 1991.

The floor surface covering of the invention are prepared by providing a primary backing layer having a wear face surface and a back surface and optionally, where required, a back surface with a precoat layer of a latex material, and thereafter, applying a first thermoplastic backing layer, and thereafter, applying a preformed, low density, polymeric foam layer to the hot, tacky, partially melted surface of the backing layer which will bond to the backing layer, employing an adhesive tie layer where required to the solid first backing layer, and thereafter, applying a second thermoplastic backing layer, and thereafter applying a secondary backing sheet to the tacky surface of the second backing layer onto the other surface of the foam layer. Optionally, the polymeric foam layer may be coated with first and second backing layers and then subsequently have one surface heat laminated or adhesively laminated to the back of the primary backing sheet. Typical methods employed for production of the surface coverings, such as a carpet tile, are as set forth for example in U.S. Patent 4,582,554, issued April 15, 1986 and U.S. Patent 4,702,950, issued October 27, 1987.

The invention will be described for the purposes of illustration only in connection with certain embodiments; however, it is recognized that those persons skilled in the art may make various additions, changes, modifications and improvements to the embodiments so described and the method of production, all without departing from the spirit and scope of the invention.

Brief Description of the Drawing

Fig. 1 is a schematic, illustrated, cross sectional view of a fibrous carpet tile of the invention.

Fig. 2 is an illustrative, schematic process flow diagram of the method of preparing the carpet tile of Fig. 1.

Description of the Embodiments

The drawing shows a carpet tile 10 of the invention containing a primary backing layer composed of a fabric

12 having a fibrous, tufted face 14 and a fibrous back surface which has been precoated with a thin precoat layer 16 of a carboxylated styrene-butadiene rubber latex precoat which contains a first layer 18 of a styrene-butadiene-styrene block copolymer modified bitumen layer which contains therein a stabilizing, porous, non-woven, glass fiber tissue or scrim protective sheet material 20, a low density, closed cell, non-elastomeric, cross-linked polyethylene foam layer 22 bonded between the first and second SBS-bitumen layers 18 and another styrene-butadiene-styrene modified bitumen layer 24 with the cross-linked polyethylene foam being directly bonded to the modified bitumen layers 18 and 24 without the need for an adhesive tie coats. The secondary backing layer comprises a porous, glass fiber, non-woven tissue sheet material 26 directly bonded by the bitumen layer 24 forced through the glass tissue sheet material and to a non-woven polyester or polypropylene secondary backing layer 28 to provide a lightweight, resilient carpet tile.

The described embodiment relates to a needle-punched or tufted carpet, but the sandwich construction may also be employed to prepare fusion-bonded carpet and carpet tile wherein the face fibers are embedded in a thermoplastic layer whereby the primary backing sheet is a polymeric thermoplastic, e.g. PVC or EVA layer, with a fibrous face wear surface.

In one example, the carpet 10 may comprise a layer 16 of about 800 g/m^2 , a first modified bitumen layer 18 of about 1300 g/m^2 , a cross-linked polyethylene foam layer 22 having a density of 4 to 8 pcf, e.g. of about 175 g/m^2 , a glass fiber tissue 20 and 26 of about $32\text{-}35 \text{ g/m}^2$, and a second modified bitumen layer 24 of about 1300 g/m^2 with the secondary backing sheet 28 composed of a polyester or spun-bonded polypropylene having a weight of about 50 g/m^2 .

One example of an irradiation, cross-linked polyethylene foam layer comprises an Alveolit® foam

layer #1503 (Alveolit is a registered trademark of The Sekisui Group) having a density of about 0.67 kgm/m³ and the following properties:

5	Compression set		
	22 h charge 23°C (296 K)	53572	%
	deflection 25%		
	1/2 h after discharge		14
	24 h after discharge		3
10	deflection 50%		
	1/2 h after discharge		38
	24 h after discharge		10

Foam layers suitable for use includes those foam layers having compression set at 25% deflection after 24 hours of 3 or greater and at 50% deflection for 24 hours of 10 or greater and a compressive strength at 50% deflection of 150 or less.

Fig. 2 is an illustrative view of the process for preparing the carpet tile 10 of Fig. 1 which comprises feeding the polypropylene sheet material 28 and the porous glass fiber tissue sheet material 26 into a pair of rollers and applying a hot melt bitumen composition 18 of SBS-modified bitumen with a limestone filler at 150°C to 165°C into the roller nip to form a molten bitumen layer 18 which penetrates the heat shielding tissue sheet 26 and partially penetrates the secondary backing sheet 28. The polyethylene foam layer 22, optionally corona discharged surface treated, is then laid onto the tacky surface of the bitumen layer 18 and a layer of glass fiber tissue sheet material 20 placed on the top surface of the foam layer 22. Another hot, molten, SBS-limestone bitumen composition 24 is coated onto the top surface of the tissue sheet material 20 and forced by nip rollers to penetrate the tissue sheet material 20 and to bond the foam layer 22. A precoated fibrous face carpet material (12, 14 and 16) is then placed on top of the tacky surface of the bitumen layer 24, and the resulting material then cooled to solidify and bond the bitumen layers 18 and 24 and the cooled material cut into carpet tiles 10.

The resulting floor covering employing the sandwiched foam layers provides for a lightweight, effective floor surface covering which permits the employment of a lightweight foam material to provide an effective floor covering, such as a carpet tile.

5

SUBSTITUTE SHEET

]

CLAIMS

What is claimed is:

Claim 1. A floor covering which comprises:

- a) a primary backing layer having a fibrous face wear surface and a back surface;
- b) a first solid thermoplastic backing layer;
- 5 c) a second solid thermoplastic backing layer; and
- d) a polymeric foam layer characterized by high compression set and a substantially closed-cell structure, the foam layer positioned and secured between the first and second thermoplastic backing layers, the thermoplastic backing layer being of sufficient thickness, to disperse the mechanical force on the foam layer and to protect the polymeric foam layer from substantial cellular breakdown in use, and the polymeric foam layer of sufficient thickness to provide a lightweight, cushioning floor covering.

15 **Claim 2.** The floor covering of claim 1 wherein the floor covering comprises a flat, dimensionally stable carpet tile.

Claim 3. The floor covering of claim 1 wherein the first and second thermoplastic backing layers comprise bitumen backing layers.

Claim 4. The floor covering of claim 1 wherein the first or second, or both, thermoplastic backing layers comprise a polymer-modified bitumen to provide for direct adhesion of the polymer-modified bitumen backing layers to the surfaces of the polymeric foam layer.

Claim 5. The floor covering of claim 4 wherein the polymer-modified bitumen backing layer comprises from about 1% to 15% by weight of a polymer selected from a group consisting of: polyethylene, polyurethane and styrene-butadiene-styrene thermoplastic block copolymers.

Claim 6. The floor covering of claim 1 wherein the polymeric foam layer comprises a substantially closed cell, thermoset, olefinic, polymeric foam layer.

2 **Claim 7.** The floor covering of claim 1 wherein the
polymeric foam layer comprises a cross-linked, thermoset
polyethylene foam layer.

2 **Claim 8.** The floor covering of claim 1 wherein the
polymeric foam layer has a thickness of from about 4mm to
16mm.

2 **Claim 9.** The floor covering of claim 1 includes a
primary backing layer having a fibrous back surface with a
styrene-butadiene-styrene latex precoat layer on the back
4 surface of the primary backing layer.

2 **Claim 10.** The floor covering of claim 1 wherein the
first thermoplastic backing layer includes therein a
protective glass fiber tissue sheet material directly
4 adjacent the top surface of the polymeric foam layer.

2 **Claim 11.** The floor covering of claim 1 which includes
a secondary backing layer which comprises a composite layer
composed of a glass fiber tissue sheet material and a
4 polyester or polypropylene sheet material as the exterior
backing layer bonded by the second thermoplastic backing
6 layer through the glass fiber tissue sheet material and into
the polyester or polypropylene secondary backing layer.

2 **Claim 12.** The floor covering of claim 1 wherein the
first and second thermoplastic backing layers range in
thickness from about 0.5mm to 4mm.

2 **Claim 13.** The floor covering of claim 1 which includes
a first and second adhesive tie layer bonded respectively to
the first and second thermoplastic backing layers to bond
4 adhesively the polymeric foam layer to the surface of the
first and second thermoplastic backing layers.

2 **Claim 14.** The floor covering of claim 1 wherein the
polymeric foam layer comprises a substantially closed cell,
irradiated, cross-linked polyethylene foam layer having a
4 density of from about 4 to 12 pcf.

2 **Claim 15.** The floor covering of claim 1 wherein the
first and second thermoplastic backing layers include a
porous, non-woven, glass fiber tissue sheet material.

2 **Claim 16.** The floor covering of claim 1 wherein the
polymeric foam layer comprises a polymeric foam material

having a low density of 4 to 12 pcf and a substantially closed cell structure.

Claim 17. The floor covering of claim 1 wherein the total thickness of the first and second backing layers does not exceed the thickness of the polymeric foam layer.

Claim 18. The floor covering of claim 17 wherein the thickness of the first and second backing layers is of about the same thickness.

Claim 19. The floor covering of claim 1 wherein the polymeric foam layer comprises a polymeric foam material having a compression set of 10 or greater, after 50% deflection for 24 hours, and a compression set of 3 or greater, after 25% deflection for 24 hours.

Claim 20. The floor covering of claim 1 wherein the polymeric foam layer has over about 80% closed-cell structure.

Claim 21. A carpet tile floor covering which comprises:

- a) a primary backing sheet having a fibrous face wear surface and a back surface;
- b) a first, solid, bitumen backing layer;
- c) a second, solid, bitumen backing layer;
- d) a polymeric foam layer which comprises an olefinic, thermoset, substantially closed-cell, foam material having a foam density of 4 to 12 pcf, and characterized by high compression set and bonded between the first and second backing layers;
- e) a protective sheet material on the top surface of the polymeric foam layer; and
- f) the polymeric foam layer having a thickness of from about 4mm to 16mm, and the first and second backing layers each having a thickness of from about 0.5mm to 4mm.

Claim 22. A method of preparing a floor covering, which method comprises:

- a) providing a primary backing layer having a fibrous face wear surface and a back surface;
- b) bonding a first solid thermoplastic layer to the back surface of the primary backing layer;

c) bonding one surface of a polymeric foam layer to the first thermoplastic backing layer, the polymeric foam layer characterized by a high compression set and a substantially closed cell structure; and

d) bonding a second solid thermoplastic layer to the other surface of the polymeric foam layer, the first and second backing layers of sufficient thickness to disperse the mechanical force on the foam layer, and to provide a floor covering with the first and second thermoplastic backing layers providing protection of the polymeric foam layer from excessive compressive set.

Claim 23. The method of claim 22 wherein the first and second thermoplastic backing layers comprise polymer-modified bitumen backing layers which adhere directly to the surface of the polymeric foam layer.

Claim 24. The method of claim 22 wherein the polymeric foam layer comprises a cross-linked polyethylene layer.

Claim 25. The method of claim 22 which includes employing adhesive tie layers to bond the surfaces of the polymeric foam layer to the first and second thermoplastic backing layers.

Claim 26. The method of claim 22 which includes separately preparing the first and second thermoplastic backing layers and the polymeric foam layer and thereafter laminating one surface of the first thermoplastic backing layer to the back surface of the primary backing sheet.

Claim 27. The method of claim 22 which includes placing a glass fiber tissue sheet material onto the surface of the polymeric foam layer and between the foam layer and the first thermoplastic backing layer.

Claim 28. The method of claim 22 which includes placing glass fiber tissue sheet material in the first and second thermoplastic backing layers.

Claim 29. The floor covering material produced by the method of claim 22.

1 / 1

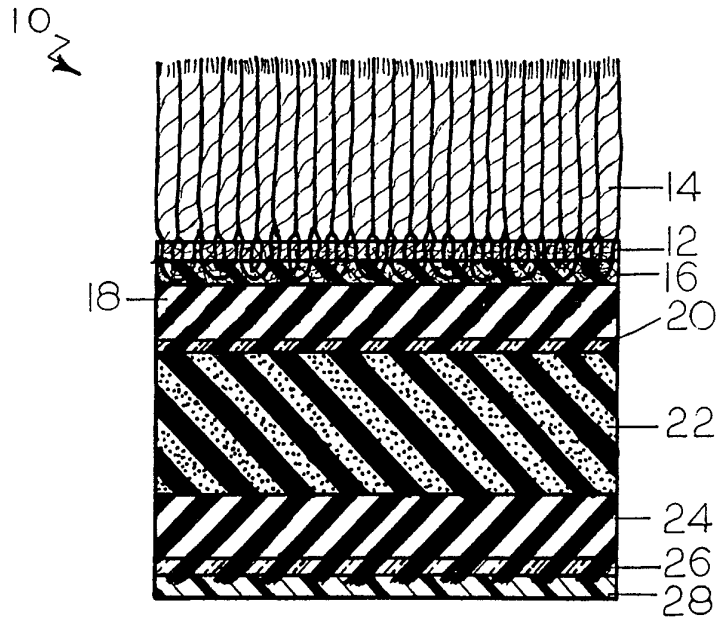


FIG. 1

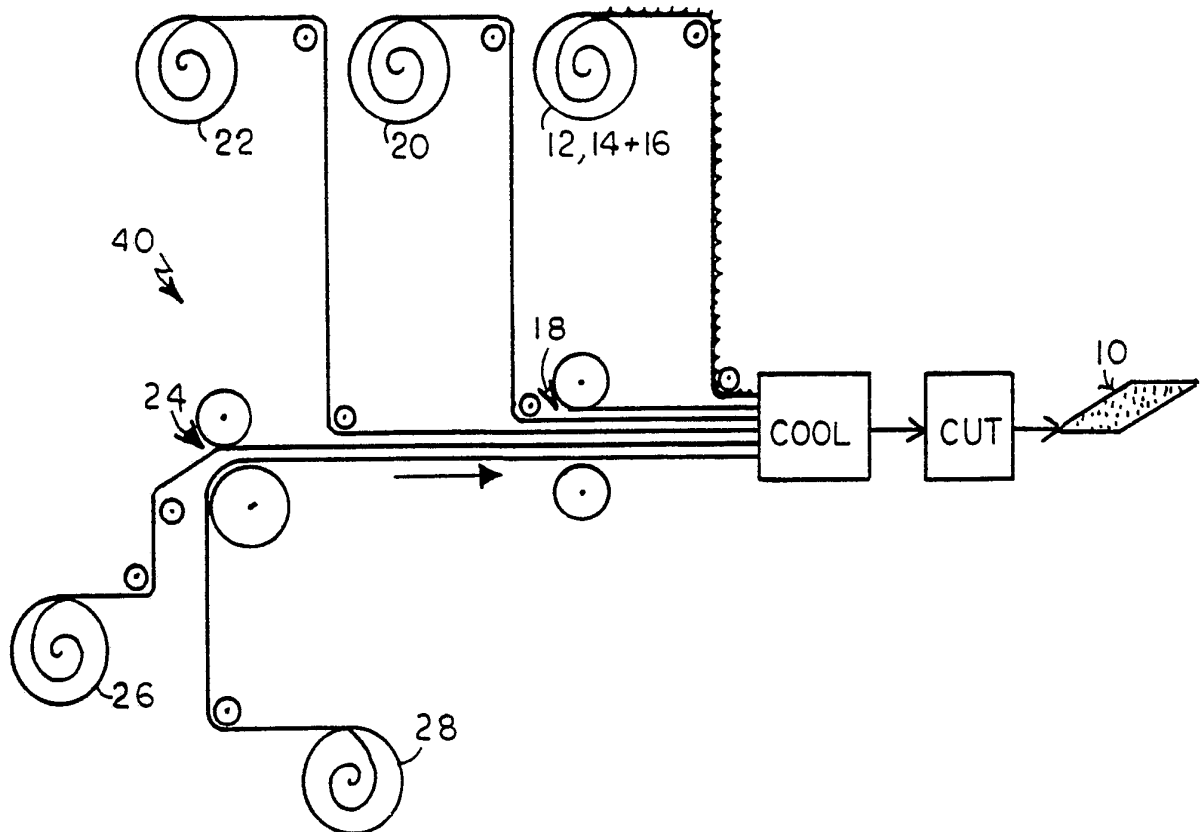


FIG. 2

INTERNATIONAL SEARCH REPORT

PCT/US 92/09759

International Application No

I. CLASSIFICATION OF SUBJECT MATTER (if several classification symbols apply, indicate all) ⁶		
According to International Patent Classification (IPC) or to both National Classification and IPC		
Int.Cl. 5 D06N7/00; B32B5/18; B32B5/26		
II. FIELDS SEARCHED		
Minimum Documentation Searched ⁷		
Classification System	Classification Symbols	
Int.Cl. 5	D06N ; A47G ; B32B	
Documentation Searched other than Minimum Documentation to the Extent that such Documents are Included in the Fields Searched ⁸		
III. DOCUMENTS CONSIDERED TO BE RELEVANT⁹		
Category ^o	Citation of Document, ¹¹ with indication, where appropriate, of the relevant passages ¹²	Relevant to Claim No. ¹³
Y	GB,A,2 057 353 (SIDLAW INDUSTRIES LIMITED) 1 April 1981 see the whole document & US,A,4 582 554 (...) cited in the application ---	1-3, 6-8, 14, 16, 20, 22-24, 29
Y	DE,A,3 113 246 (DYNAMIT NOBEL AG) 28 October 1982 see page 3, line 13 - line 16; claims 1-3 see page 4, line 26 - line 33 see page 6, line 16 - line 36 ---	1-3, 6-8, 14, 16, 20, 22-24, 29
	-/--	
^o Special categories of cited documents : ¹⁰ "A" document defining the general state of the art which is not considered to be of particular relevance "E" earlier document but published on or after the international filing date "L" document which may throw doubts on priority claim(s) or which is cited to establish the publication date of another citation or other special reason (as specified) "O" document referring to an oral disclosure, use, exhibition or other means "P" document published prior to the international filing date but later than the priority date claimed "T" later document published after the international filing date or priority date and not in conflict with the application but cited to understand the principle or theory underlying the invention "X" document of particular relevance; the claimed invention cannot be considered novel or cannot be considered to involve an inventive step "Y" document of particular relevance; the claimed invention cannot be considered to involve an inventive step when the document is combined with one or more other such documents, such combination being obvious to a person skilled in the art. "&" document member of the same patent family		
IV. CERTIFICATION		
Date of the Actual Completion of the International Search	Date of Mailing of this International Search Report	
04 FEBRUARY 1993	22 FEB 1993	
International Searching Authority	Signature of Authorized Officer	
EUROPEAN PATENT OFFICE	PAMIES OLLE S.	

III. DOCUMENTS CONSIDERED TO BE RELEVANT (CONTINUED FROM THE SECOND SHEET)		Relevant to Claim No.
Category °	Citation of Document, with indication, where appropriate, of the relevant passages	
A	EP,A,0 420 661 (HEUGA HOLDING BV) 3 April 1991 see page 4, line 28 - line 40; claims; figures see page 5, line 37 - page 6, line 20 & US,A,5 030 497 (...) cited in the application ----	1-5, 10, 11, 15, 22
A	GB,A,1 089 563 (MONSANTO CHEMICALS LIMITED) 1 November 1967 see page 2, line 97 - line 101; claims -----	1, 6-9, 14, 16, 20

**ANNEX TO THE INTERNATIONAL SEARCH REPORT
ON INTERNATIONAL PATENT APPLICATION NO.**

US 9209759
SA 67255

This annex lists the patent family members relating to the patent documents cited in the above-mentioned international search report. The members are as contained in the European Patent Office EDP file on The European Patent Office is in no way liable for these particulars which are merely given for the purpose of information. 04/02/93

Patent document cited in search report	Publication date	Patent family member(s)	Publication date
GB-A-2057353	01-04-81	CA-A- 1143271	22-03-83
		DE-A- 3025143	22-01-81
		NL-A- 8003886	06-01-81
		US-A- 4737221	12-04-88
		US-A- 4942074	17-07-90
		US-A- 4582554	15-04-86
DE-A-3113246	28-10-82	None	
EP-A-0420661	03-04-91	US-A- 5030497	09-07-91
		AU-A- 6314590	11-04-91
		CA-A- 2026352	29-03-91
		JP-A- 3206185	09-09-91
GB-A-1089563		FR-A- 1468932	