

(19) World Intellectual Property Organization  
International Bureau



(43) International Publication Date  
5 October 2006 (05.10.2006)

PCT

(10) International Publication Number  
**WO 2006/104546 A3**

(51) International Patent Classification:  
*F16D 3/227* (2006.01)

(74) Agents: **RETTIG, Philip, E.** et al.; Harness, Dickey & Pierce, P.L.C., P.O. Box 828, Bloomfield Hills, Michigan 48303 (US).

(21) International Application Number:  
PCT/US2006/002380

(81) Designated States (unless otherwise indicated, for every kind of national protection available): AE, AG, AL, AM, AT, AU, AZ, BA, BB, BG, BR, BW, BY, BZ, CA, CH, CN, CO, CR, CU, CZ, DE, DK, DM, DZ, EC, EE, EG, ES, FI, GB, GD, GE, GH, GM, HR, HU, ID, IL, IN, IS, JP, KE, KG, KM, KN, KP, KR, KZ, LC, LK, LR, LS, LT, LU, LV, LY, MA, MD, MG, MK, MN, MW, MX, MZ, NA, NG, NI, NO, NZ, OM, PG, PH, PL, PT, RO, RU, SC, SD, SE, SG, SK, SL, SM, SY, TJ, TM, TN, TR, TT, TZ, UA, UG, UZ, VC, VN, YU, ZA, ZM, ZW.

(22) International Filing Date: 23 January 2006 (23.01.2006)

(25) Filing Language: English

(26) Publication Language: English

(30) Priority Data:  
11/089,263 24 March 2005 (24.03.2005) US

(63) Related by continuation (CON) or continuation-in-part (CIP) to earlier application:  
US 11/089263 (CON)  
Filed on 24 March 2005 (24.03.2005)

(84) Designated States (unless otherwise indicated, for every kind of regional protection available): ARIPO (BW, GH, GM, KE, LS, MW, MZ, NA, SD, SL, SZ, TZ, UG, ZM, ZW), Eurasian (AM, AZ, BY, KG, KZ, MD, RU, TJ, TM), European (AT, BE, BG, CH, CY, CZ, DE, DK, EE, ES, FI, FR, GB, GR, HU, IE, IS, IT, LT, LU, LV, MC, NL, PL, PT, RO, SE, SI, SK, TR), OAPI (BF, BJ, CF, CG, CI, CM, GA, GN, GQ, GW, ML, MR, NE, SN, TD, TG).

(71) Applicant (for all designated States except US): **AMERICAN AXLE & MANUFACTURING, INC.** [US/US]; One Dauch Drive, Detroit, Michigan 48211 (US).

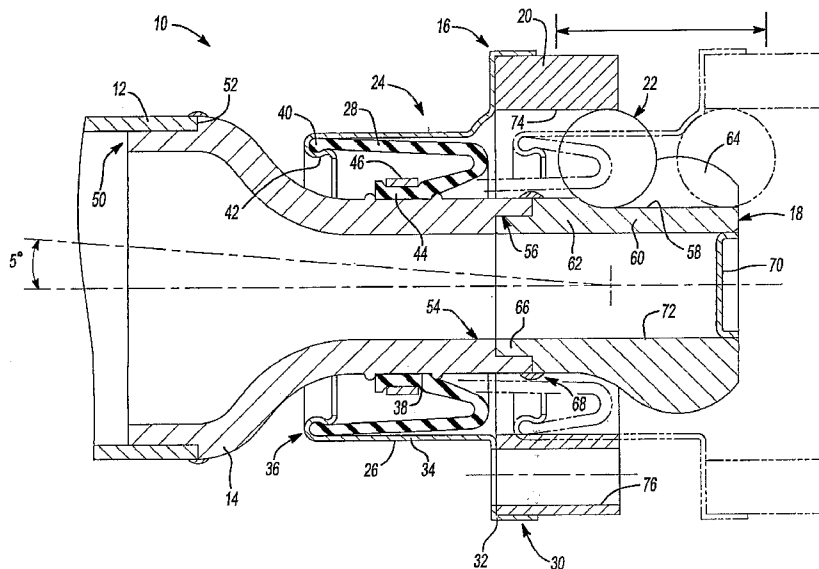
(72) Inventors; and

(75) Inventors/Applicants (for US only): **WORMAN, Jr., William, Eart** [US/US]; 11436 Ashgrove Drive, Washington Township, Michigan 48094 (US). **DOWNS, James, P.** [US/US]; 8056 Rushton, South Lyon, Michigan 48178 (US).

Published:  
— with international search report

[Continued on next page]

(54) Title: PROPSHAFT WITH CONSTANT VELOCITY JOINT ATTACHMENT



(57) Abstract: A propeller shaft assembly includes a substantially cylindrical hollow propeller shaft, a stub shaft and a constant velocity joint having inner race and an outer race drivingly interconnected by a plurality of balls. The stub shaft has a first end fixed to the propeller shaft and a second end drivingly coupled to the inner race. The second end includes a portion positioned adjacent to the inner race that defines an outer diameter greater than an outer diameter defined by the interface between the inner race and the plurality of balls.



WO 2006/104546 A3



— *before the expiration of the time limit for amending the claims and to be republished in the event of receipt of amendments*

*For two-letter codes and other abbreviations, refer to the "Guidance Notes on Codes and Abbreviations" appearing at the beginning of each regular issue of the PCT Gazette.*

**(88) Date of publication of the international search report:**

10 January 2008

**INTERNATIONAL SEARCH REPORT**

International application No.  
PCT/US06/02380

**A. CLASSIFICATION OF SUBJECT MATTER**  
 IPC: **F16D 3/227(2006.01)**  
  
 USPC: 464/146  
 According to International Patent Classification (IPC) or to both national classification and IPC

**B. FIELDS SEARCHED**  
 Minimum documentation searched (classification system followed by classification symbols)  
 U.S. : 464/139-146, 906  
  
 Documentation searched other than minimum documentation to the extent that such documents are included in the fields searched  
  
 Electronic data base consulted during the international search (name of data base and, where practicable, search terms used)

**C. DOCUMENTS CONSIDERED TO BE RELEVANT**

Category *	Citation of document, with indication, where appropriate, of the relevant passages	Relevant to claim No.
X	US 5,611,733 A (JACOB et al) 18 March 1997 (18.03.1997), figure 1.	1-20
X	US 6,273,825 B1 (SCHWARZLER et al) 14 August 2001 (14.08.2001), figure 2.	14, 15, 19 and 20

Further documents are listed in the continuation of Box C.       See patent family annex.

* Special categories of cited documents:	"T" later document published after the international filing date or priority date and not in conflict with the application but cited to understand the principle or theory underlying the invention
"A" document defining the general state of the art which is not considered to be of particular relevance	"X" document of particular relevance; the claimed invention cannot be considered novel or cannot be considered to involve an inventive step when the document is taken alone
"E" earlier application or patent published on or after the international filing date	"Y" document of particular relevance; the claimed invention cannot be considered to involve an inventive step when the document is combined with one or more other such documents, such combination being obvious to a person skilled in the art
"L" document which may throw doubts on priority claim(s) or which is cited to establish the publication date of another citation or other special reason (as specified)	"&" document member of the same patent family
"O" document referring to an oral disclosure, use, exhibition or other means	
"P" document published prior to the international filing date but later than the priority date claimed	

Date of the actual completion of the international search 25 September 2007 (25.09.2007)	Date of mailing of the international search report <b>19 NOV 2007</b>
---	--

Name and mailing address of the ISA/US Mail Stop PCT, Attn: ISA/US Commissioner for Patents P.O. Box 1450 Alexandria, Virginia 22313-1450 Facsimile No. (571) 273-3201	Authorized officer Greg Binda <i>[Signature]</i> Telephone No. (571) 272-5150
---	---