



US00D577695S

(12) **United States Design Patent**
Lee

(10) **Patent No.:** **US D577,695 S**

(45) **Date of Patent:** **** Sep. 30, 2008**

- (54) **TELEVISION SET**
- (75) Inventor: **Chien-Kuo Lee**, Taoyuan County (TW)
- (73) Assignee: **Hannspree, Inc.**, Taipei (TW)
- (**) Term: **14 Years**
- (21) Appl. No.: **29/296,594**
- (22) Filed: **Oct. 24, 2007**

D520,966 S *	5/2006	Lin	D14/129
D524,263 S *	7/2006	Hoehn et al.	D14/126
D529,459 S *	10/2006	Hoehn et al.	D14/126
D531,145 S *	10/2006	Padain	D14/126
D534,914 S *	1/2007	Florindo	D14/450
D537,827 S *	3/2007	Florindo	D14/450

* cited by examiner

Primary Examiner—Raphael Barkai

(74) *Attorney, Agent, or Firm*—Apex Juris, pllc; Tracy M Heims

- (51) **LOC (8) Cl.** **14-03**
- (52) **U.S. Cl.** **D14/126**
- (58) **Field of Classification Search** D14/125–134,
D14/239, 371, 136, 374–377, 440, 450, 448,
D14/336, 342; 312/7.2; 348/836, 838, 180,
348/184, 325, 739; 341/12; 248/917–924,
248/465; 345/104, 133, 156, 168, 87, 173;
720/605, 669, 600, 655; 369/99, 197; 455/344,
455/347; D21/329, 515, 577, 622, 333, 433,
D21/448, 452, 450, 331; D6/477, 479; 273/148 B;
446/484, 175, 356; D10/15, 26
See application file for complete search history.

(57) **CLAIM**

The ornamental design for a television set, as shown and described.

DESCRIPTION

FIG. 1 is a front perspective view of a television set showing our new design;

FIG. 2 is a front elevational view thereof;

FIG. 3 is a rear elevational view thereof;

FIG. 4 is a right side elevational view thereof;

FIG. 5 is a left side elevational view thereof;

FIG. 6 is a top elevational view thereof; and,

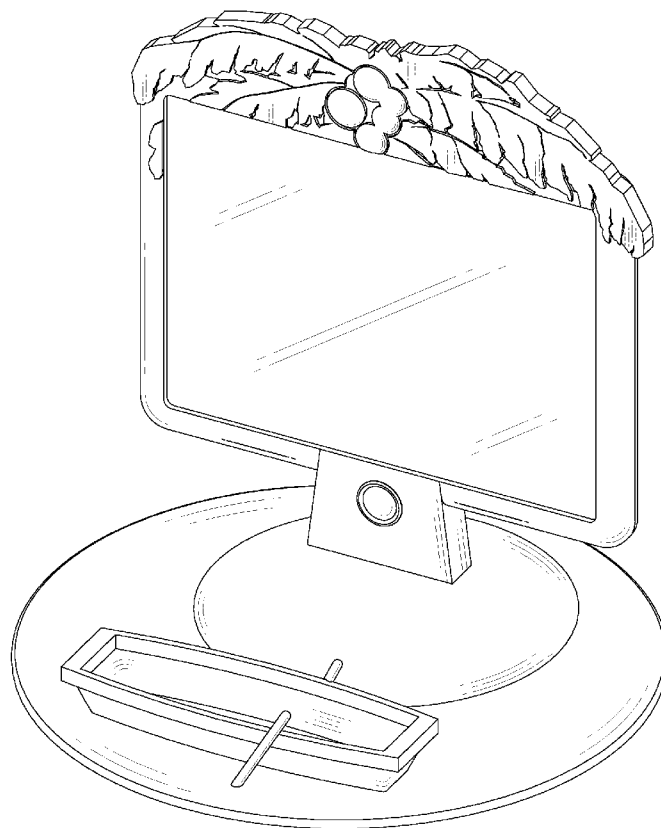
FIG. 7 is a bottom elevational view thereof.

(56) **References Cited**

U.S. PATENT DOCUMENTS

D313,700 S *	1/1991	Zoldessy	D6/306
D436,106 S *	1/2001	Mohamed	D14/371

1 Claim, 7 Drawing Sheets



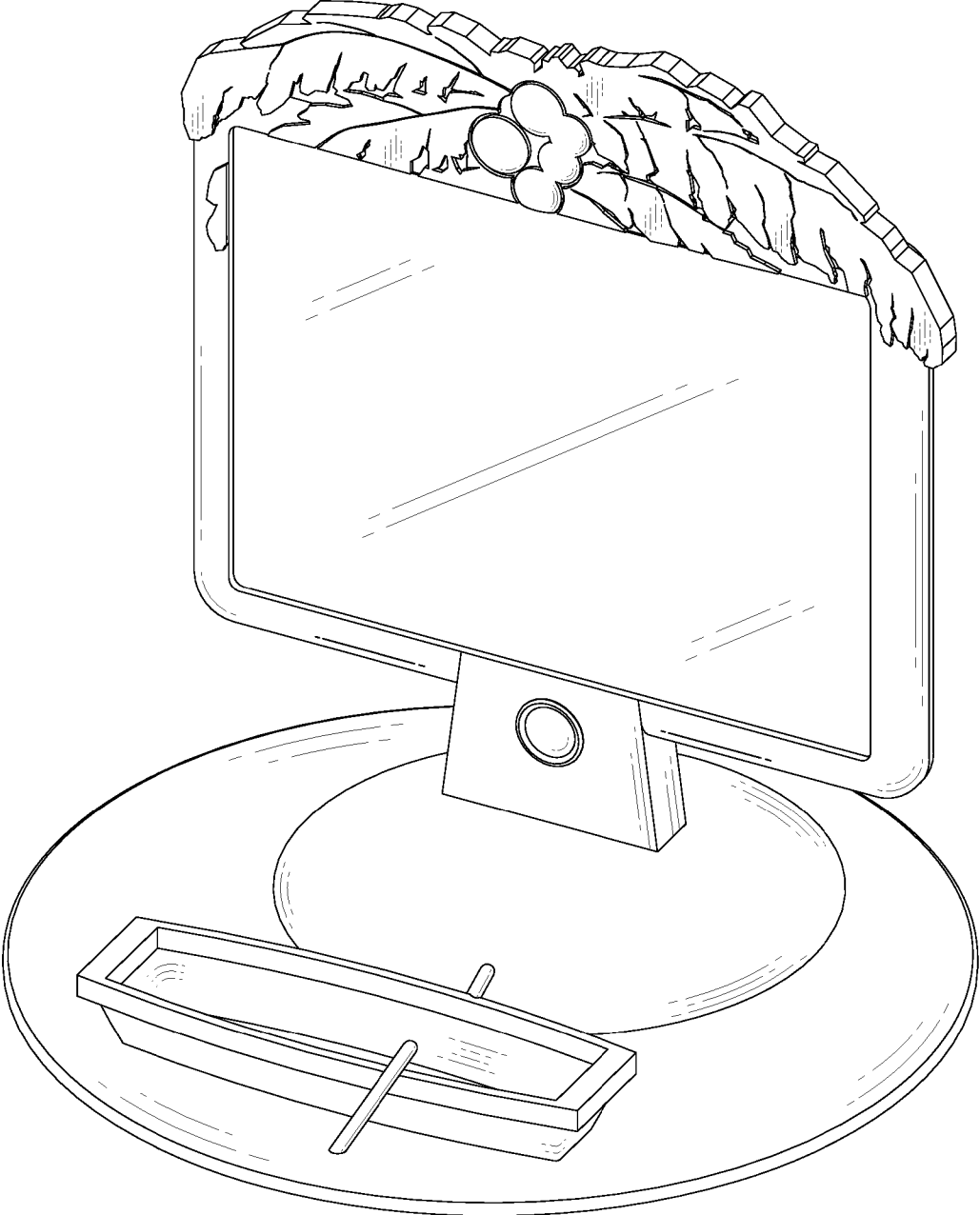


Fig. 1

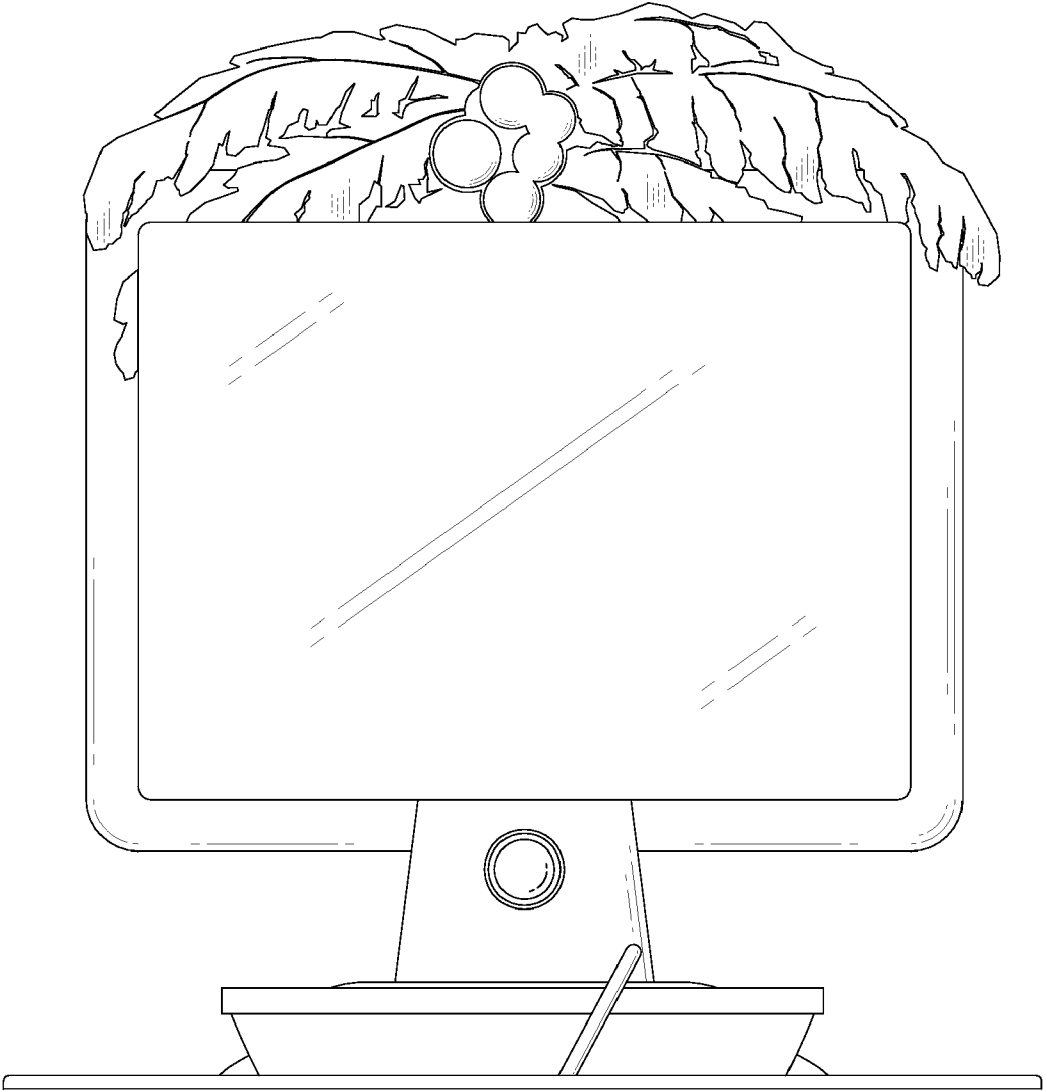


Fig. 2

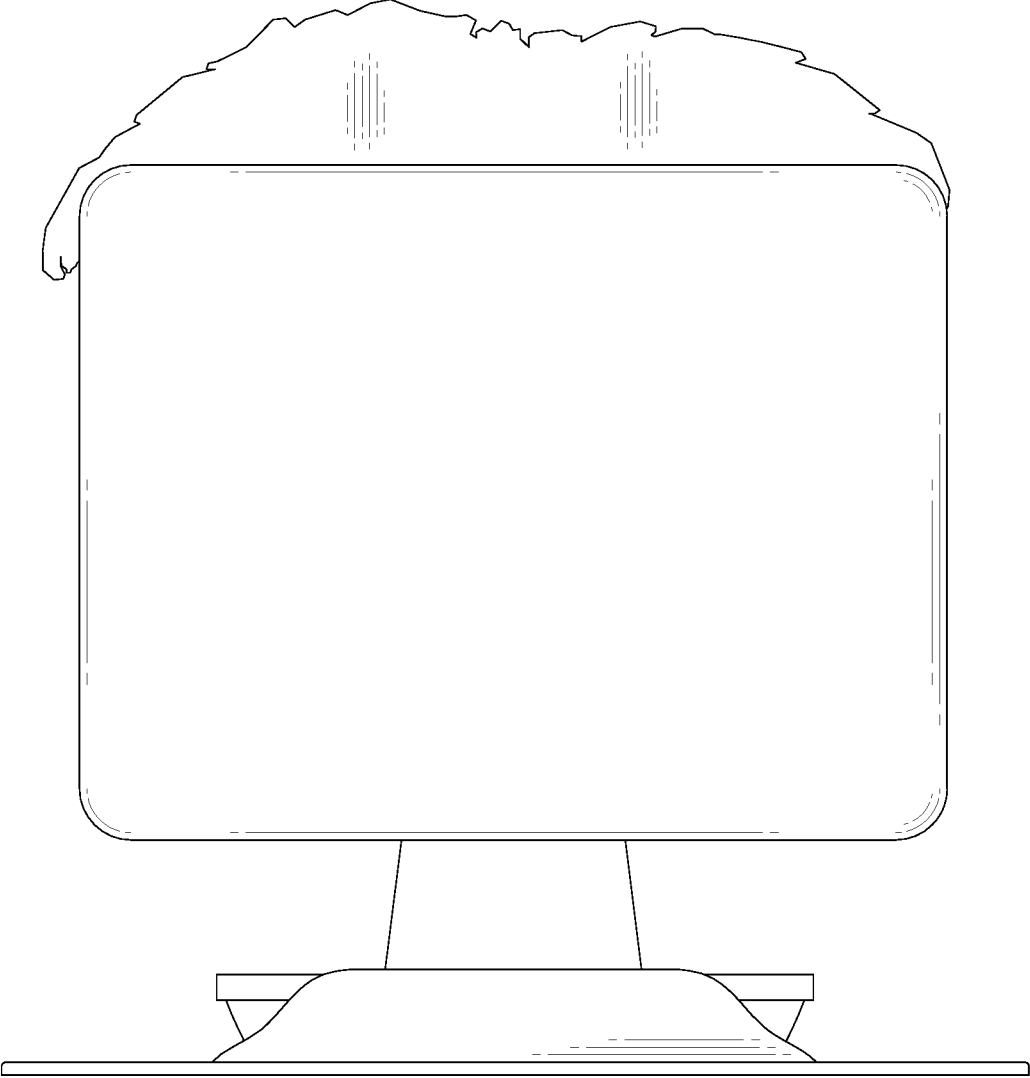


Fig. 3

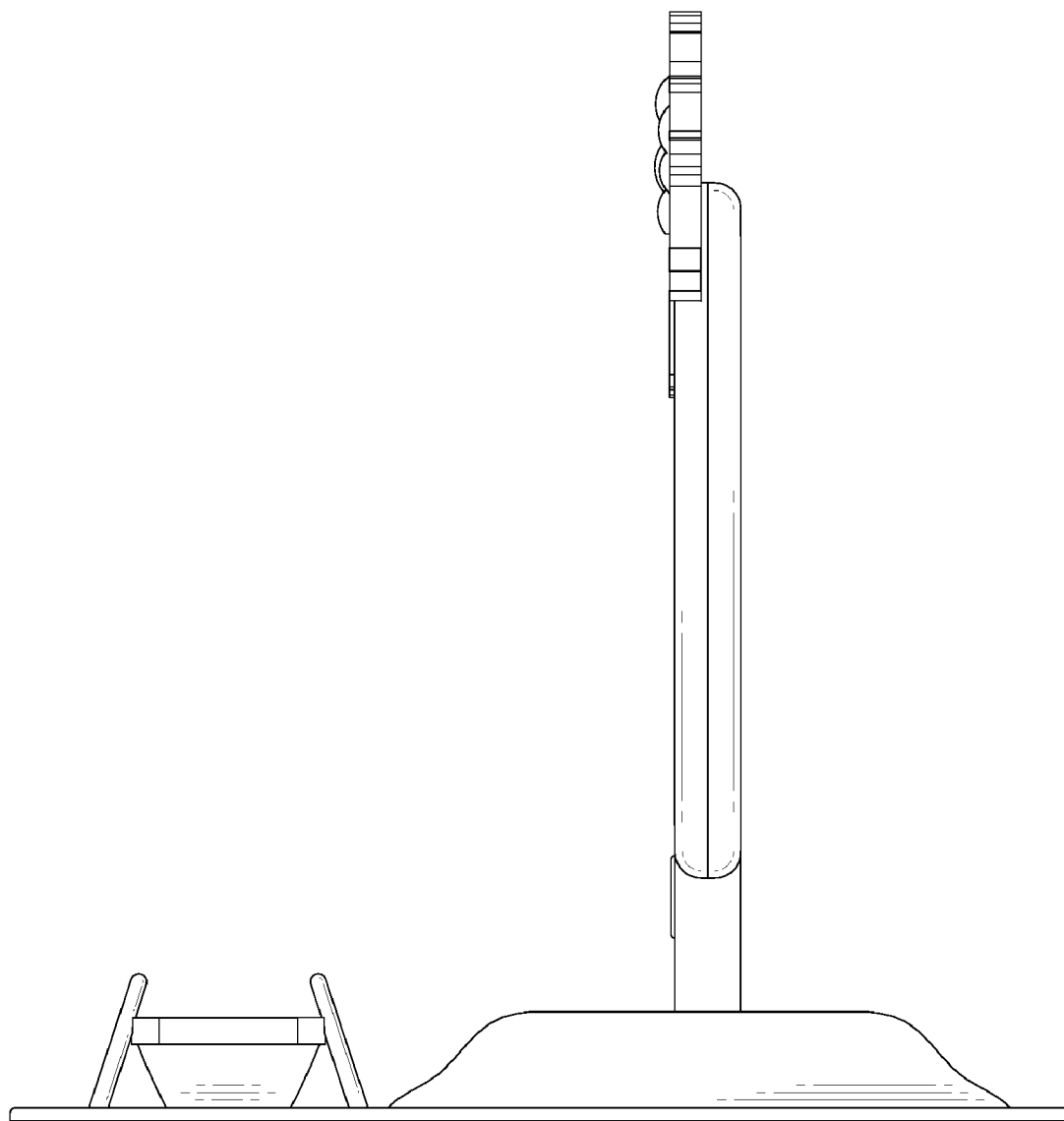


Fig. 4

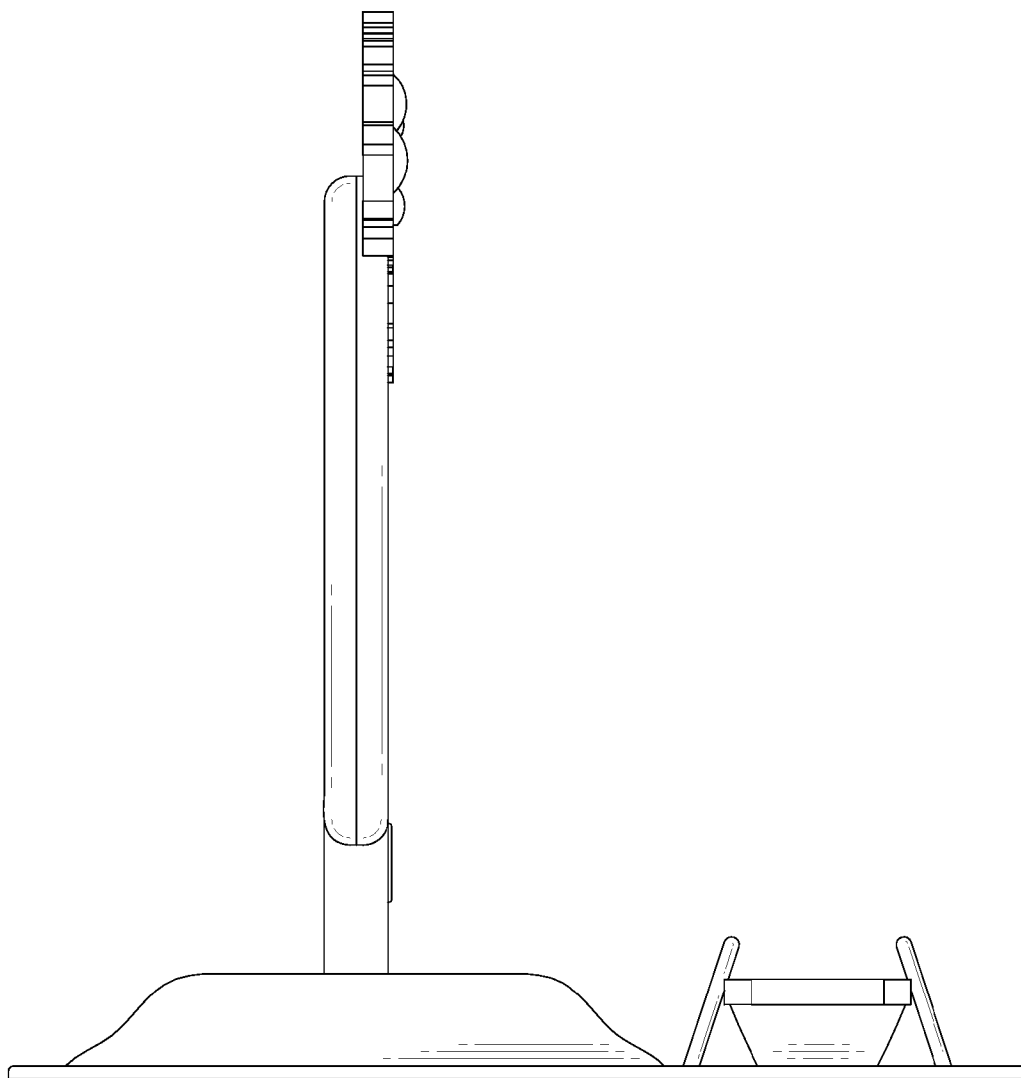


Fig. 5

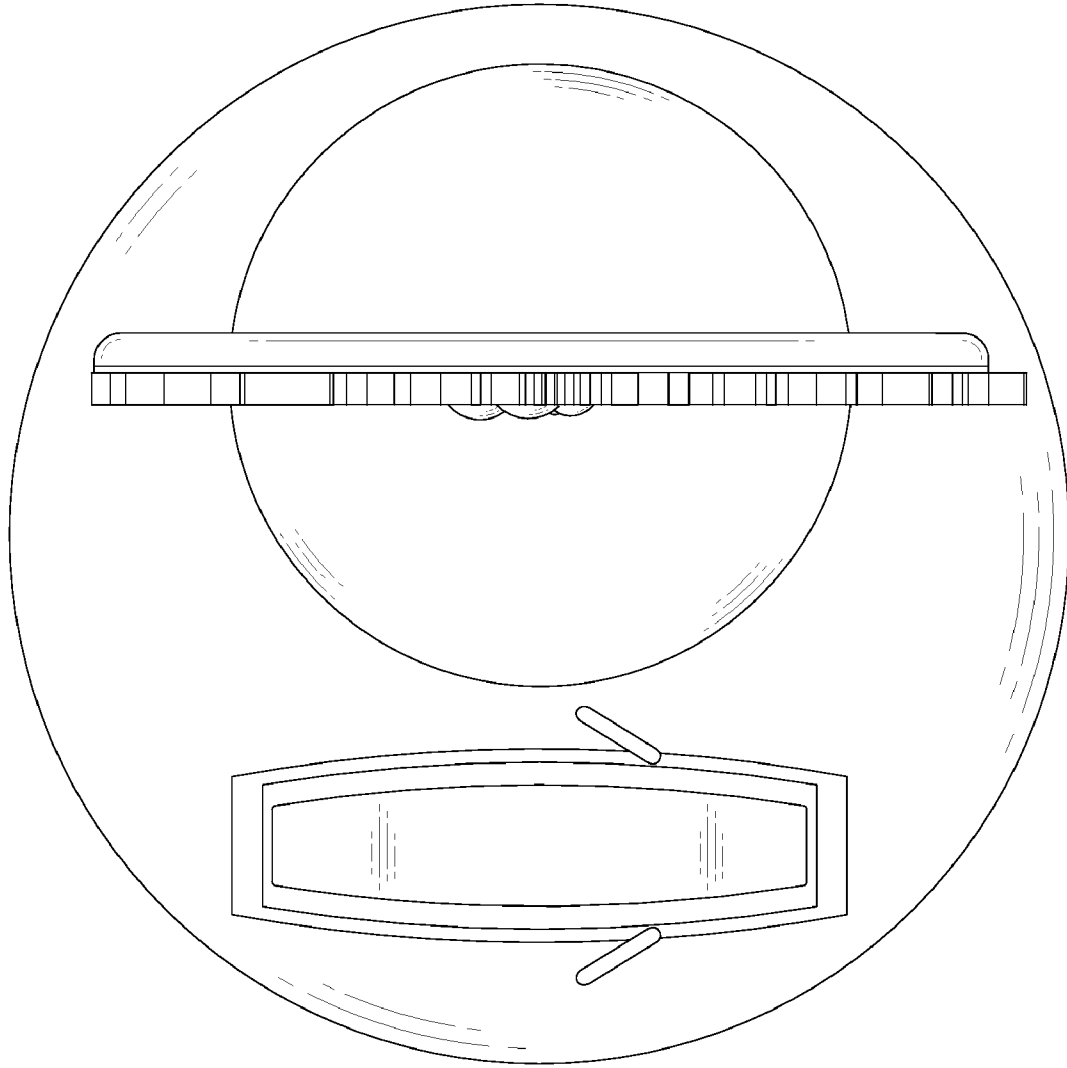


Fig. 6

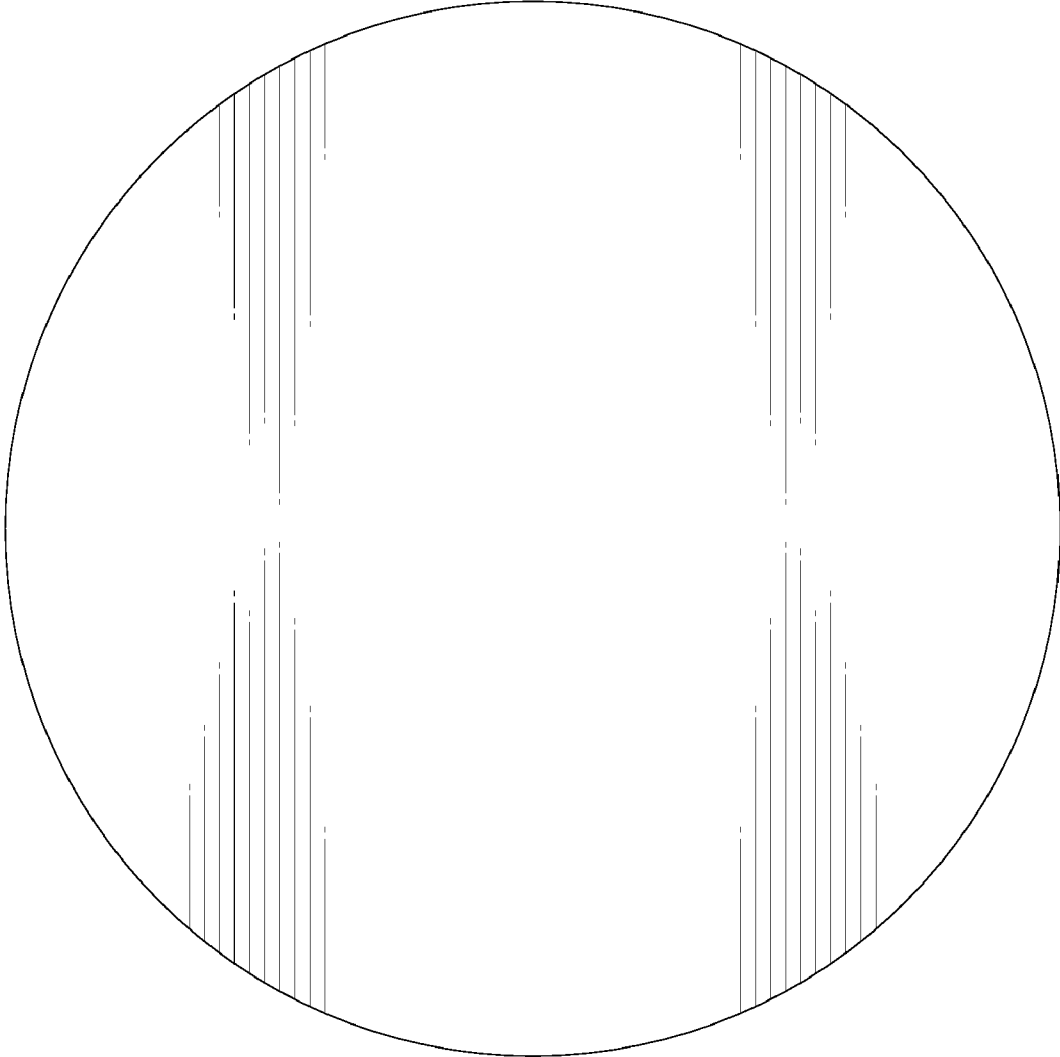


Fig. 7